



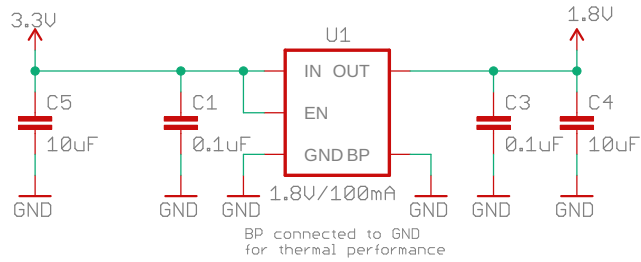
**HESTORE.HU**  
elektronikai alkatrész áruház

**EN:** This Datasheet is presented by the manufacturer.

Please visit our website for pricing and availability at [www.hestore.hu](http://www.hestore.hu).

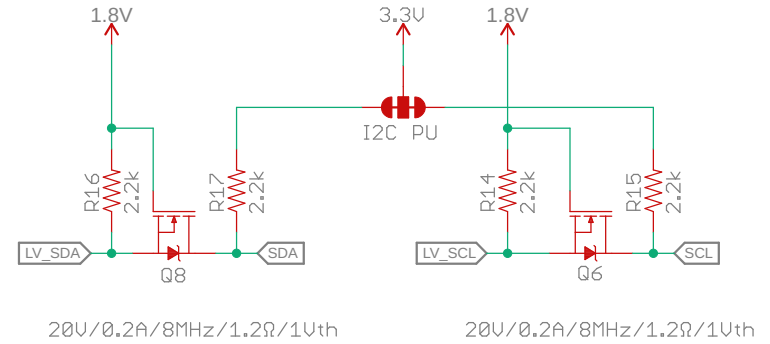
## Voltage Regulation

Input Voltage: 3.3V (Qwiic)



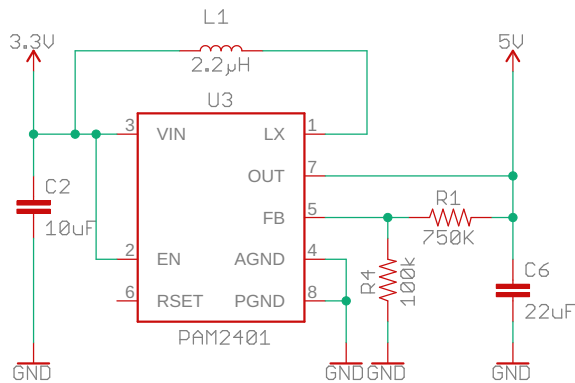
## Logic Conversion

Clear Jumper to remove I2C Pull-ups from bus



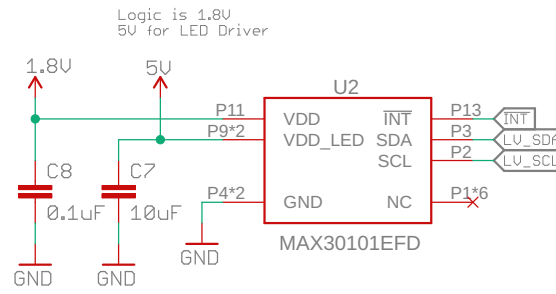
## DC-DC Converter

Acceptable input voltage: 2.4-4.75 (3.3V via Qwiic)

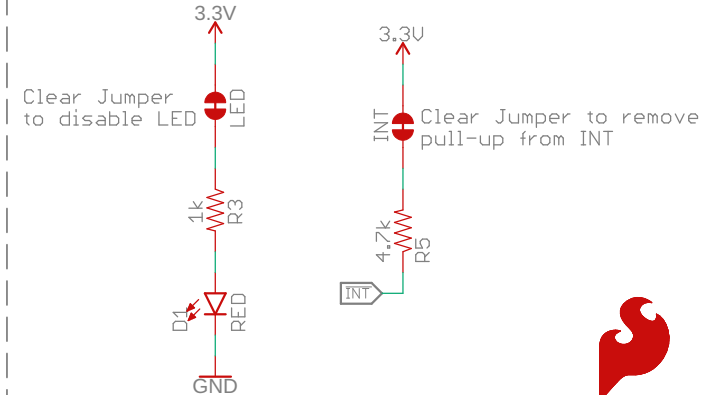


## Sensor

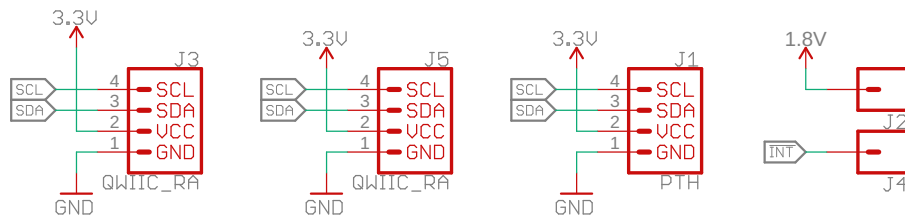
Typical current consumption: 600-1100 uA  
 VCC Range: 1.7 - 2.0V  
 VCC RED and IR LED: 3.1-5.0V  
 VCC GREEN LED: 4.5 - 5.5V



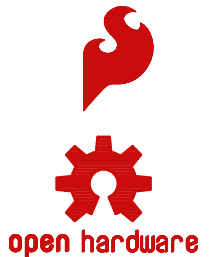
7-Bit I2C: 0x57



## I2C Connections



**sparkfun**



**Qwiic**

Released under the Creative Commons

Attribution Share-Alike 4.0 License

<https://creativecommons.org/licenses/by-sa/4.0/>



TITLE: SparkFun\_MAX30101\_Qwiic

Design by: Pete Lewis

Based on a design for the MAX30105 by N. Seidle

REV:

v12

Date: 6/16/2020 12:29 AM

Sheet: 1/1