



HESTORE.HU
elektronikai alkatrész áruház

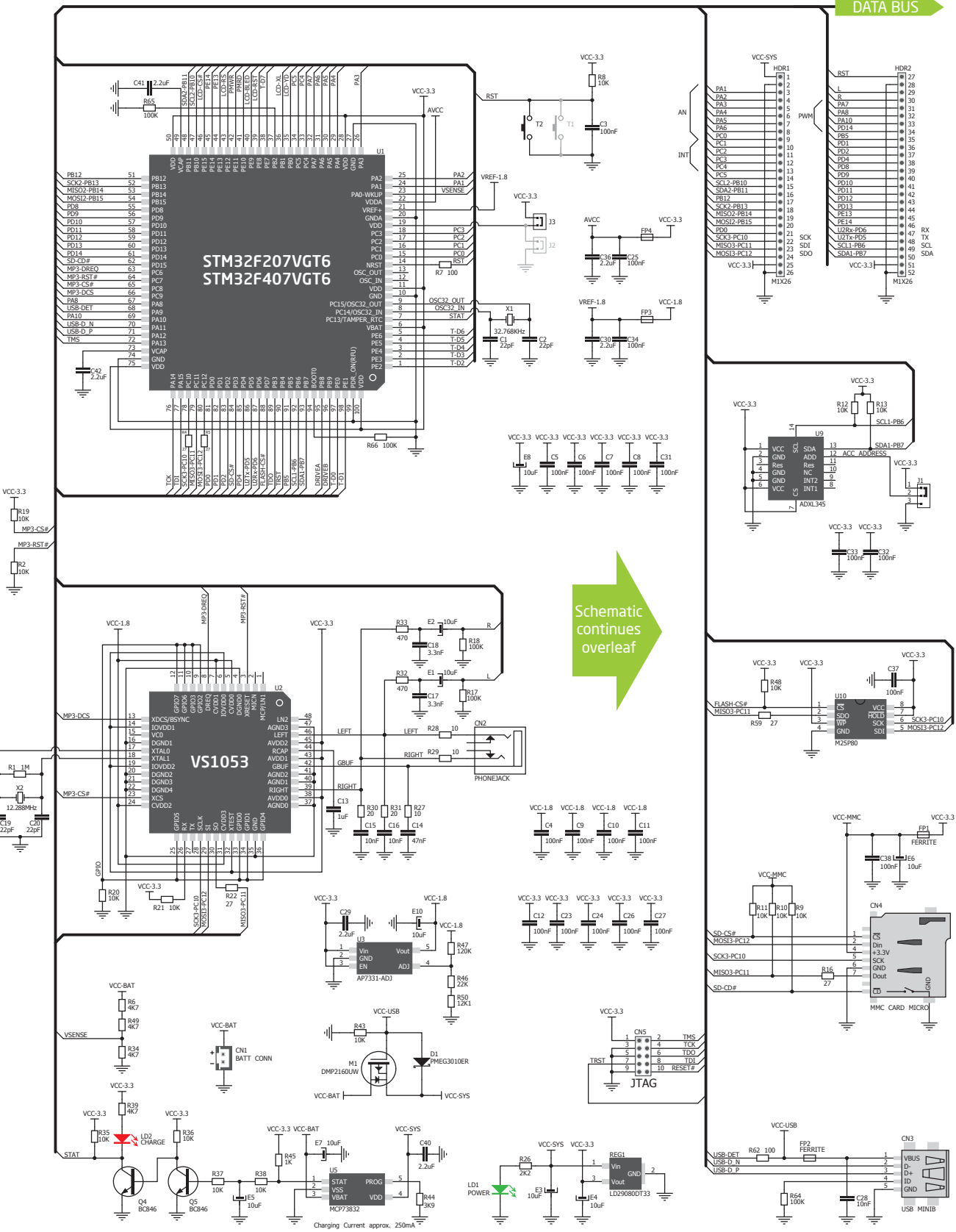
EN: This Datasheet is presented by the manufacturer.

Please visit our website for pricing and availability at www.hestore.hu.

SCHEMATICS

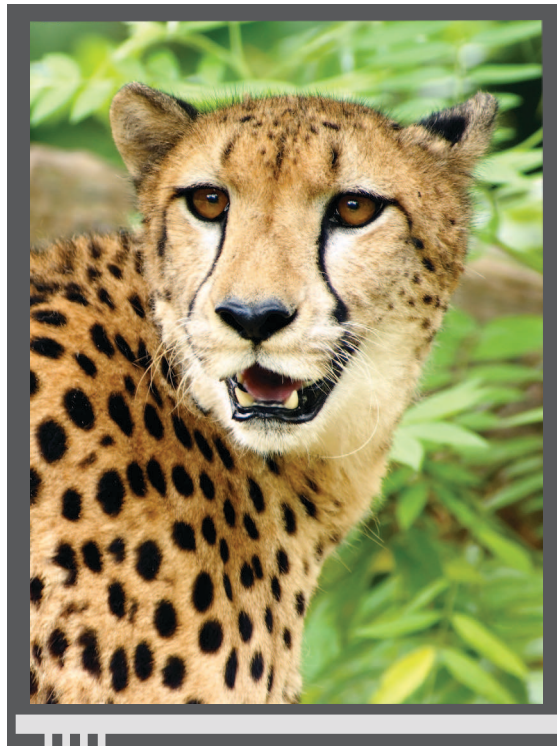
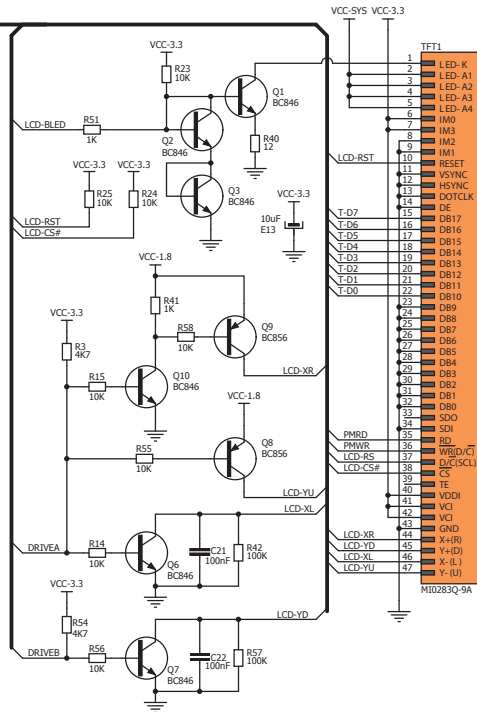
mikromedia™ for STM32®

We present you with a complete color schematics for mikromedia™ for STM32® development board. We want you to know what your board is consisted of and how it actually works.



Schematic continues overleaf

DATA BUS



TFT 320x240 display with 262.144 colors

mikromedia for STM32 M3-M4 schematic

ver. 1.000



HW REV. 1.00

Copyright © 2014 MikroElektronika. All Rights Reserved.

MikroElektronika assumes no responsibility or liability for any errors or inaccuracies that may appear in the present document.

Specification and information contained in the present schematic are subject to change at any time without notice.