



HESTORE.HU

elektronikai alkatrész áruház

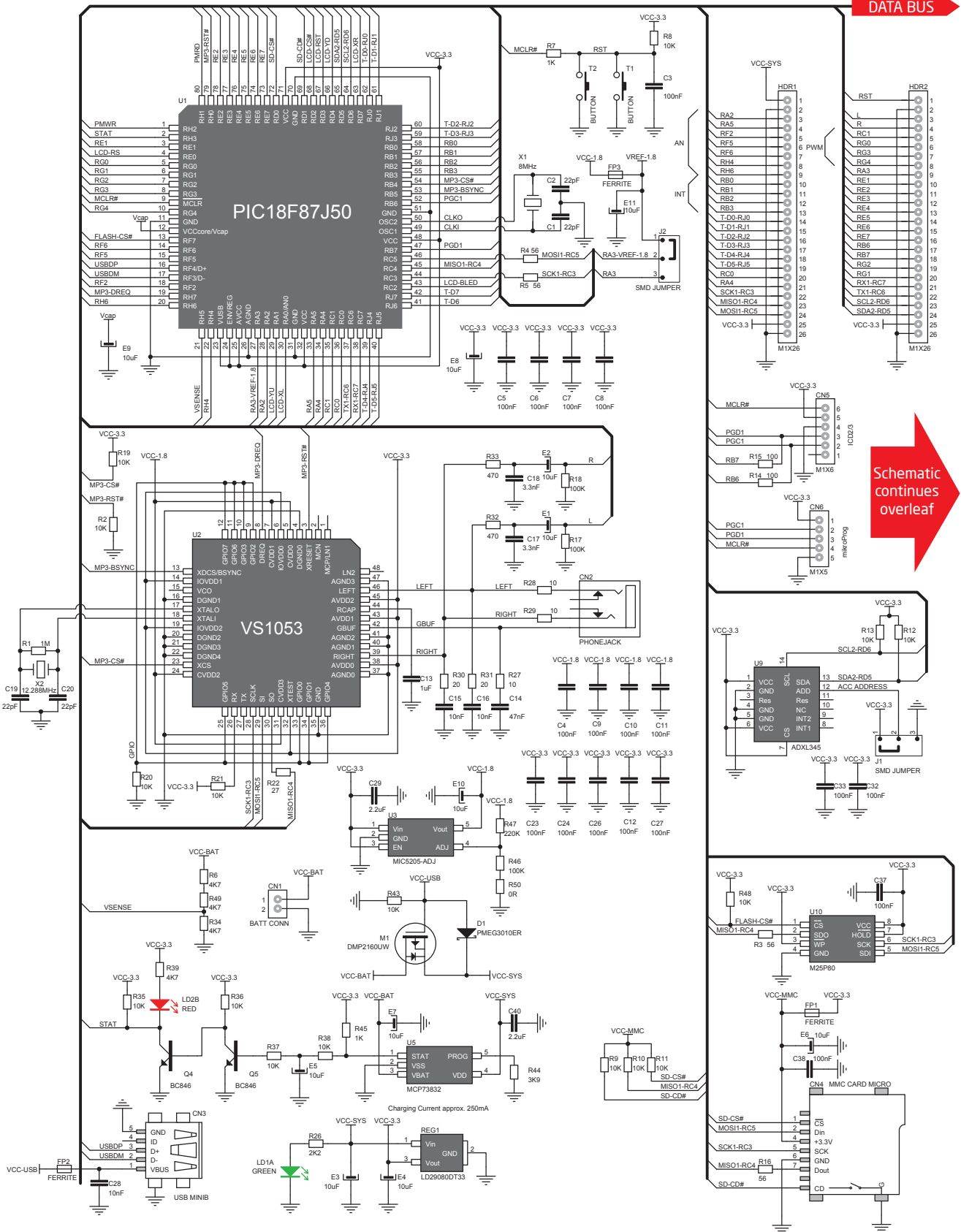
EN: This Datasheet is presented by the manufacturer.

Please visit our website for pricing and availability at www.hestore.hu.

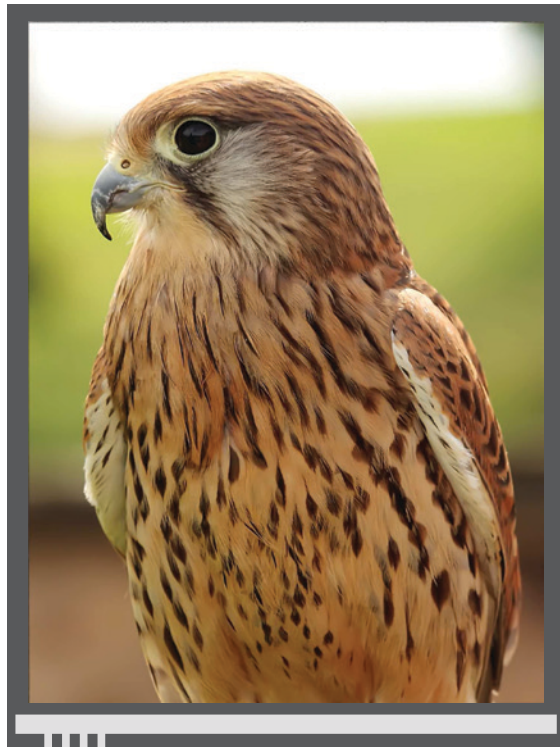
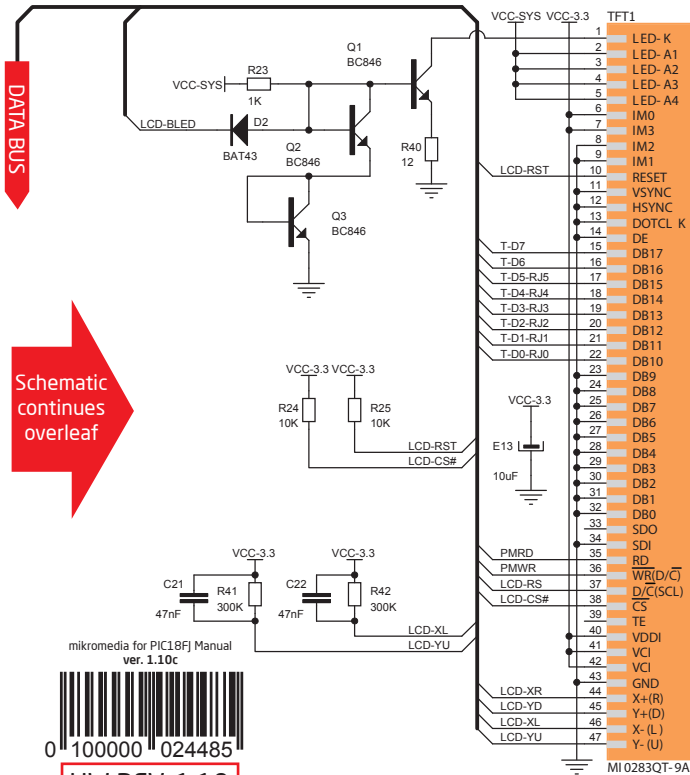
mikromedia™

for PIC18FJ®

We present you with a complete color schematics for mikromedia™ for PIC18FJ® development board. We want you to know what your board is consisted of and how it actually works.



Schematic continues overleaf



TFT 320x240 display with 262.144 colors