



**HESTORE.HU**

elektronikai alkatrész áruház

**EN:** This Datasheet is presented by the manufacturer.

Please visit our website for pricing and availability at [www.hestore.hu](http://www.hestore.hu).



# PUIaudio



Data Sheet

ABLF3529B-LW100

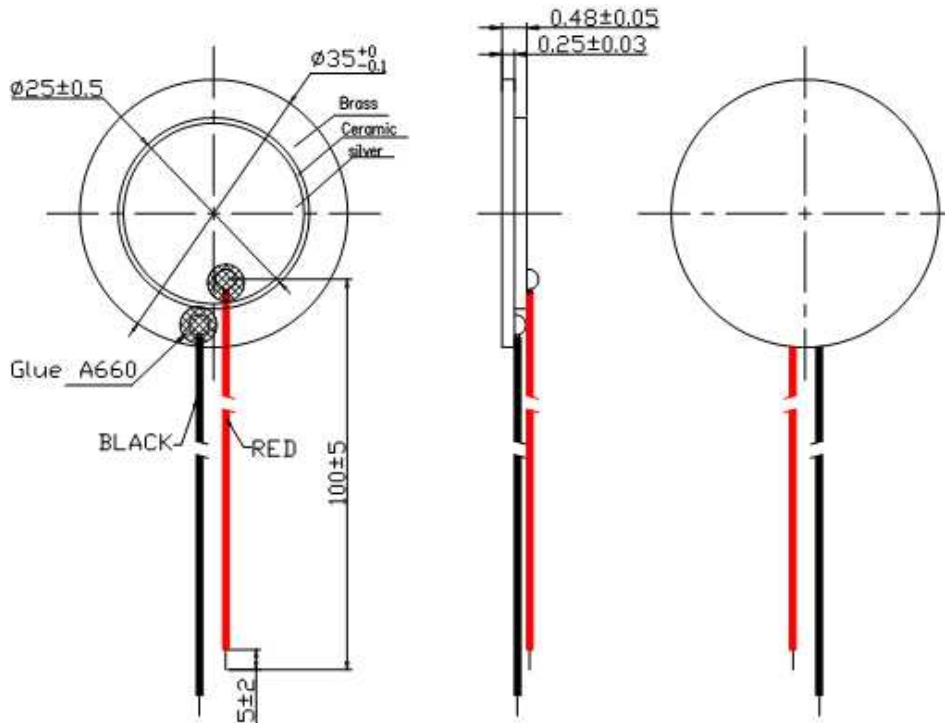
## Features:

- Lead Free Piezoelectric Bender
- 20mm diameter
- Resonant Frequency of 6.1 KHz

## Specifications

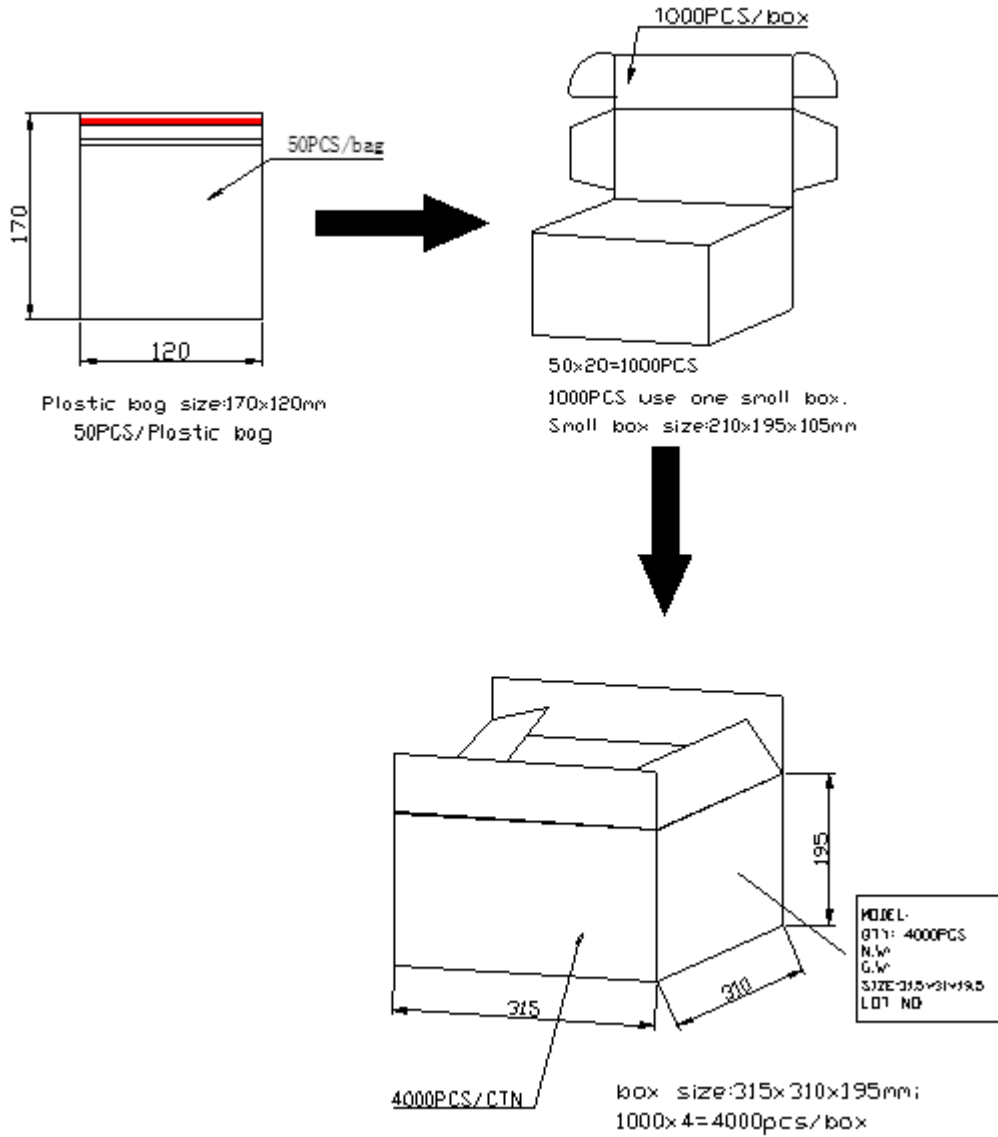
Parameters	Values	Units
Resonant Frequency	2,900 ± 500	Hz
Resonant Impedance (Max)	500	Ohms
Max Input Voltage	30	Vp-p
Capacitance (@ 100 Hz)	35,000 ± 30%	pF
Plate Material	Brass	-
Storage Temperature	-30 ~ 80	°C
Operating Temperature	-20 ~ 70	°C
Environmental Compliances	RoHS/REACH	-

## Dimensions



UL1571 AWG28(Red&Black)

## Packaging



**Specifications Revisions**

<b>Revision</b>	<b>Description</b>	<b>Date</b>	<b>Approved</b>
A	Released from Engineering	12/20/2024	JD

Note:

- 1. Unless otherwise specified:
  - A. All dimensions are in millimeters.
  - B. Default tolerances are  $\pm 0.5\text{mm}$  and angles are  $\pm 3^\circ$ .
- 2. Specifications subject to change or withdrawal without notice.