



**HESTORE.HU**

elektronikai alkatrész áruház

**EN:** This Datasheet is presented by the manufacturer.

Please visit our website for pricing and availability at [www.hestore.hu](http://www.hestore.hu).

圖號 DRAWING No. :

校訂版次 REVISIONS

品名 NAME: Ring

ITEM No. :

版次	記述 DESCRIPTION	DATE	核可

MAXIMUM ELECTRIC CURRENT

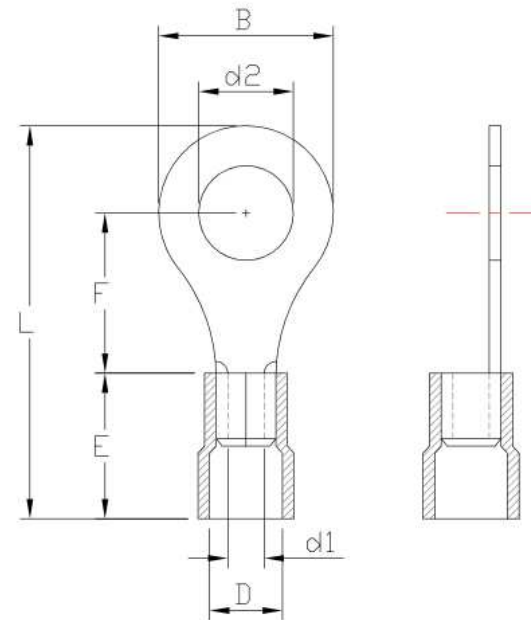
A. W. G	22	20	18	16
MAX AMP	9	12	17	18



NOTE:

1. MAXIMUM ELECTRICAL RATING: 105°C 600 VOLTS
2. WIRE RANGE: 22-16 AWG / 0.5-1.5 mm<sup>2</sup>  
INSULATED COLOR: RED
3. MATERIAL THICKNESS: t  
TOLERANCE: ±0.05

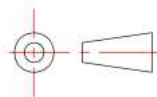
WIRE RANGE AWG/mm <sup>2</sup>	產品編號 ITEM NO.	d2 ±0.20	B ±0.20	F ±0.30	L ±1.00	E ±0.80	D ±0.30	d1 ±0.20	t
22-16 AWG 0.5-1.5 mm <sup>2</sup>		2.2	6.6	6.3	19.6	10.0	4.1	1.7	0.75
		3.2	5.5	4.0	16.7				
		3.7	5.5	4.0	16.7				
		3.7	6.6	6.3	19.6				
		3.7	8.0	7.0	21.0				
	ST-081/R	4.3	6.6	6.3	19.6				
		4.3	8.0	7.0	21.0				
		5.3	8.0	7.0	21.0				
		6.5	11.6	11.1	26.8				
		8.4	11.6	11.1	26.8				
		10.5	13.6	13.9	30.7				
	13.0	19.2	16.0	35.6					



認可 APPROVALS

製圖 DRAFT: TINA  
設計 DESIGN: KEN  
核可 CHECKED: ANDY

第三視角  
THIRD VIEW



MATERIAL

INSULATION: VINYL  
MATERIAL: COPPER  
TIN PLATING

單位 UNIT

m/m  
比例 SCALE

日期 DATE: 2015. 01. 05