



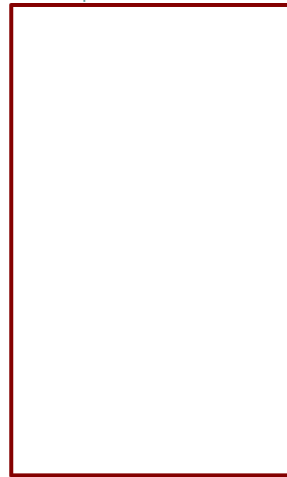
HESTORE.HU

elektronikai alkatrész áruház

EN: This Datasheet is presented by the manufacturer.

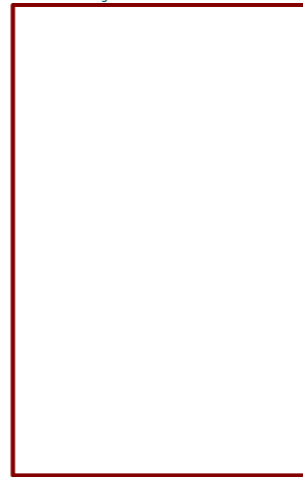
Please visit our website for pricing and availability at www.hestore.hu.

01 Descriptions



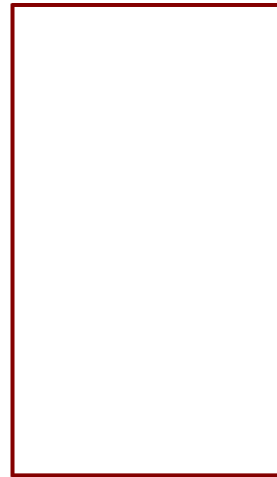
File: 01 Descriptions.kicad_sch

02 Block Digram



File: 02 Block Digram.kicad_sch

03 ESP32S3



File: 03 ESP32S3.kicad_sch

seeed studio

Seed Studio

Sheet: /
File: XIAO ESP32S3_V1.3.kicad_sch

Title: XIAO ESP32-S3

Size: A3 Date: 2026-01-15
KiCad E.D.A. 9.0.6

Rev: V1.3
Id: 1/4

CC BY-SA 4.0

REV	Description	DATE	BY
v1.0	Initial Version	2023/1/4	Linus.Liao
v1.1	Optimize the distance from the positioning hole of the shield to the pads on both sides	2023/3/27	Linus.Liao
v1.2	1.Remove the silkscreen for K1, K2, U3, and U4 2.Adjust C30 and C16 inward	2023/7/25	Linus.Liao
v1.3	R5 changed from 0R to L5_24nH	2025/10/21	wei.Xing

seeed studio

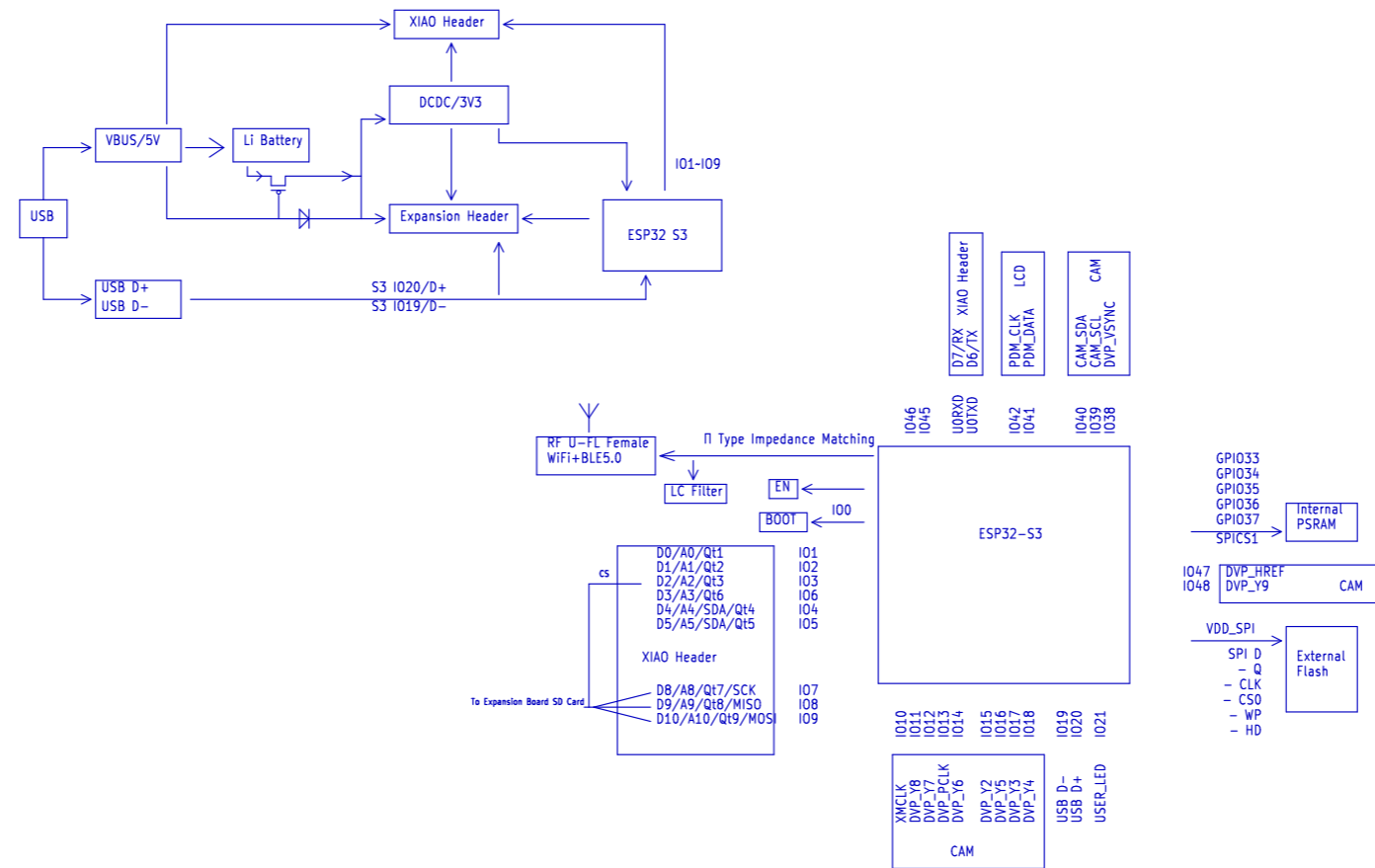
Seed Studio
 Sheet: /01 Descriptions/
 File: 01 Descriptions.kicad_sch

Title: XIAO ESP32-S3

Size: A3 Date: 2026-01-15
 KiCad E.D.A. 9.0.6

Rev: V1.3
 Id: 2/4

CC BY-SA 4.0



seed studio

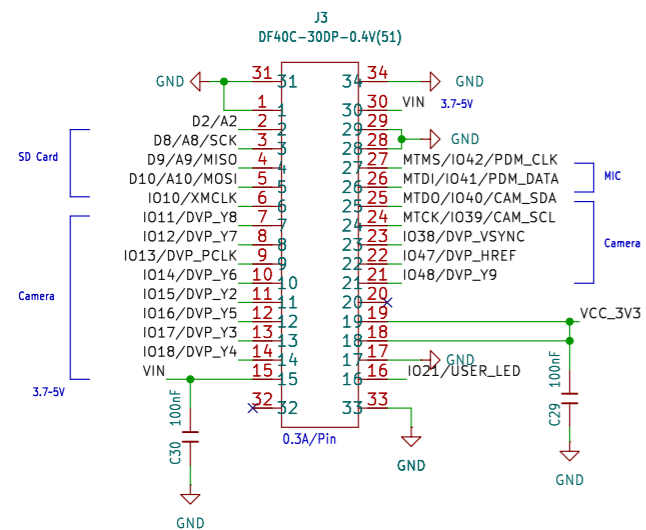
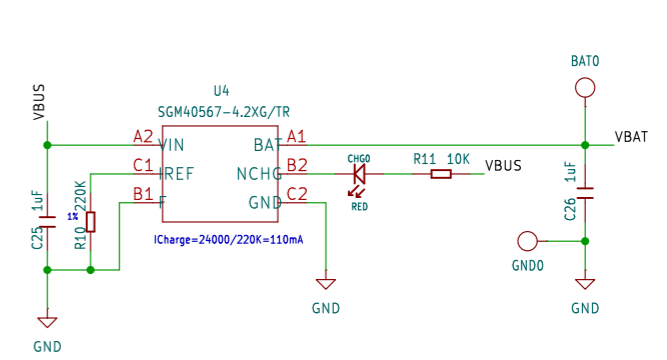
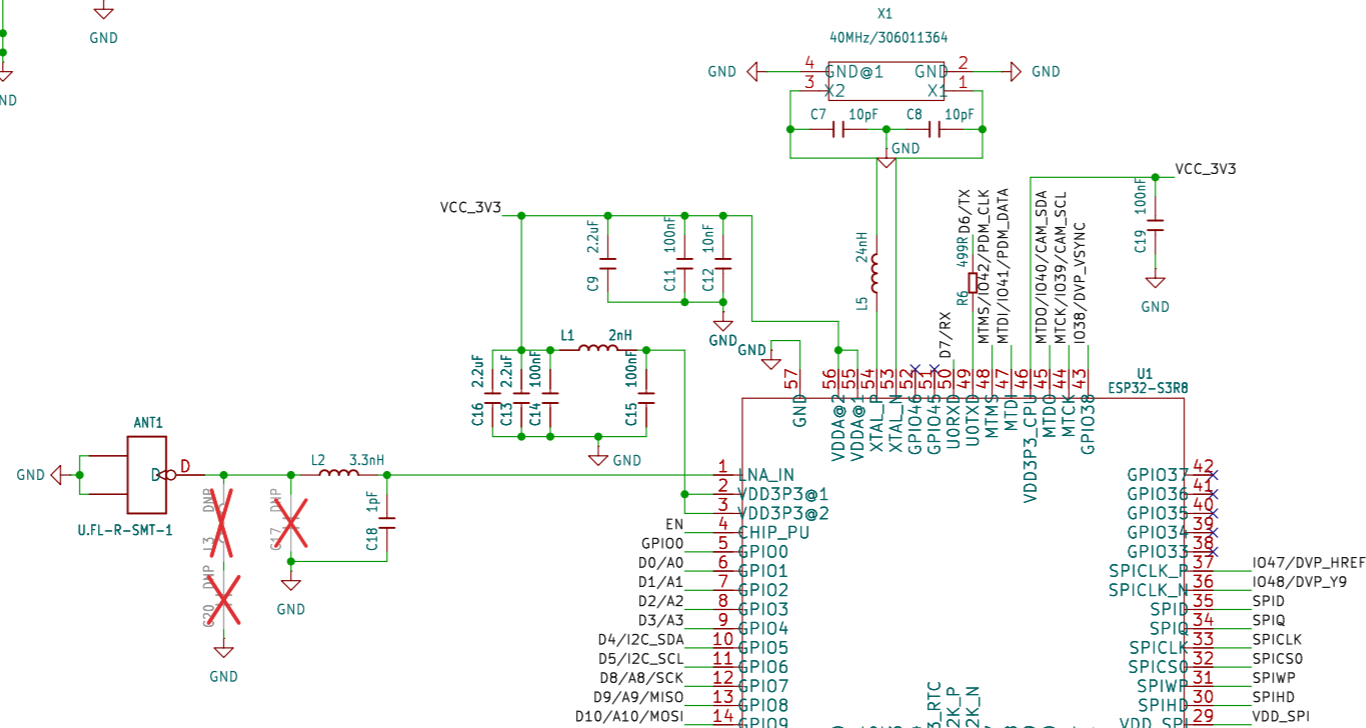
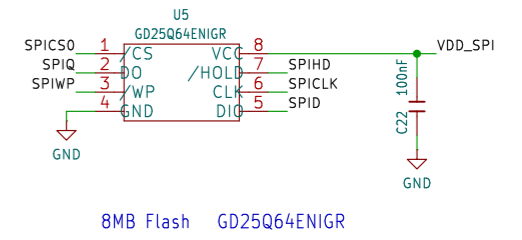
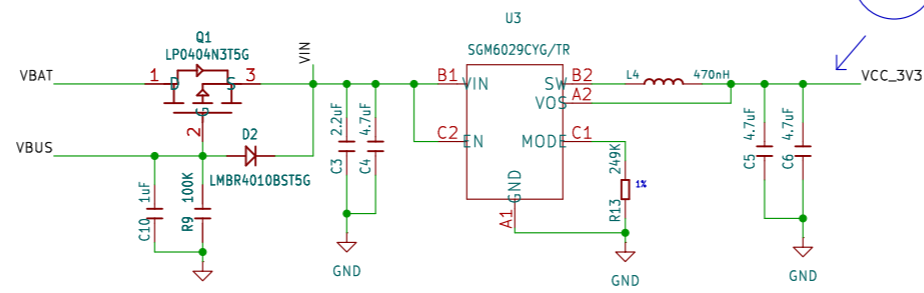
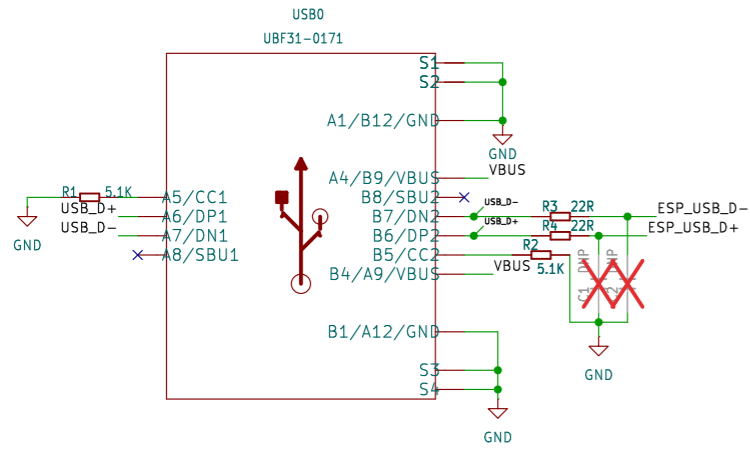
Seed Studio
Sheet: /02 Block Diagram/
File: 02 Block Diagram.kicad_sch

CC BY-SA 4.0

Title: XIAO ESP32-S3

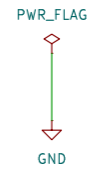
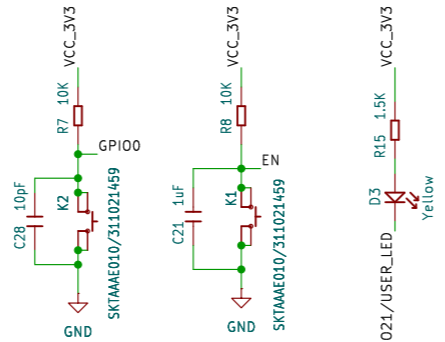
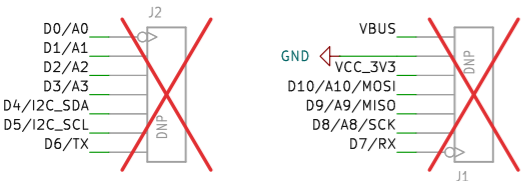
Size: A3 Date: 2026-01-15
KiCad E.D.A. 9.0.6

Rev: V1.3
Id: 3/4



Layout note:
Bottom

Layout note:
Same position as XIA0-C3



seed studio

CC BY-SA 4.0