

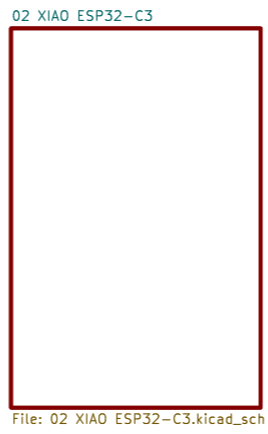
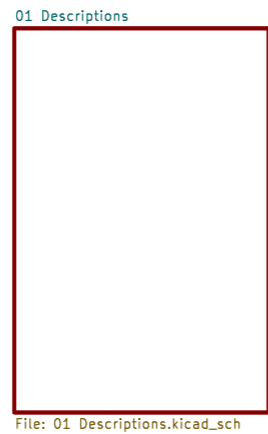


**HESTORE.HU**  
elektronikai alkatrész áruház

**EN:** This Datasheet is presented by the manufacturer.

Please visit our website for pricing and availability at [www.hestore.hu](http://www.hestore.hu).

	1	2	3	4	5	6	7	8
A								
B								
C								
D								
E								
F	1	2	3	4	5	6	7	8



**seeed studio**

<b>Seed Studio</b>	
Sheet: /	
File: XIAO ESP32C3_v1.3.kicad_sch	
<b>Title: XIAO ESP32-C3</b>	
Size: A3	Date: 2026-01-15
KiCad E.D.A. 9.0.6	Rev: v1.3
	Id: 1/3

CC BY-SA 4.0

REV	Description	DATE	BY
1.0	First release	2021.01.11	Bruce
1.1	Change U1 to ETA4054	2022.05.27	
1.2	Change LOGO	2022.06.29	
1.3	1.Change X4 from 306011037 to 306011483 2.Change C41,C42 from 18pF to 12pF	2024.02.26	Linus.Liao
1.3	1.Change U4 from 310011516 to 310011777 2.Change X2 from 306011265 to 306011045 1.Change C8,C9 from 18pF to 22pF	2024.08.06	

**seeed studio**

Seeed Studio

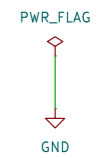
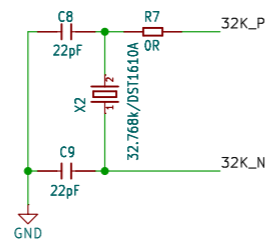
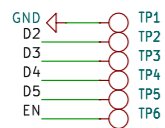
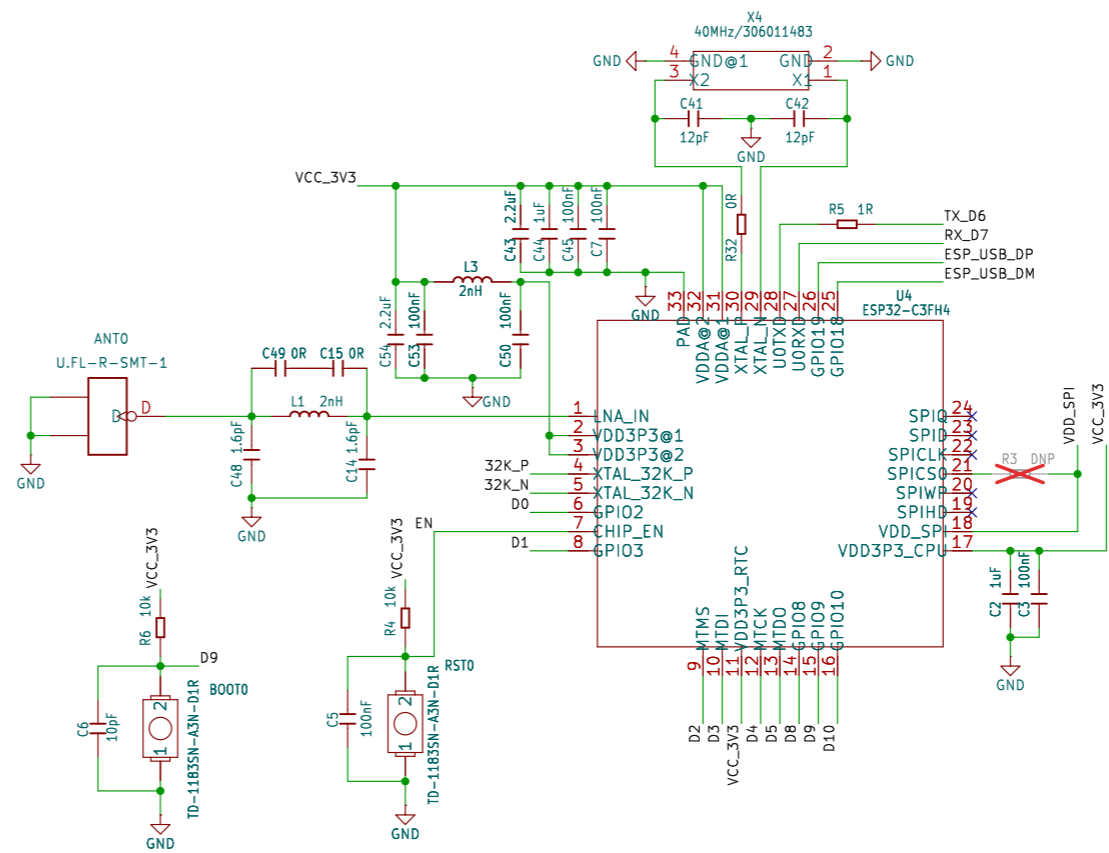
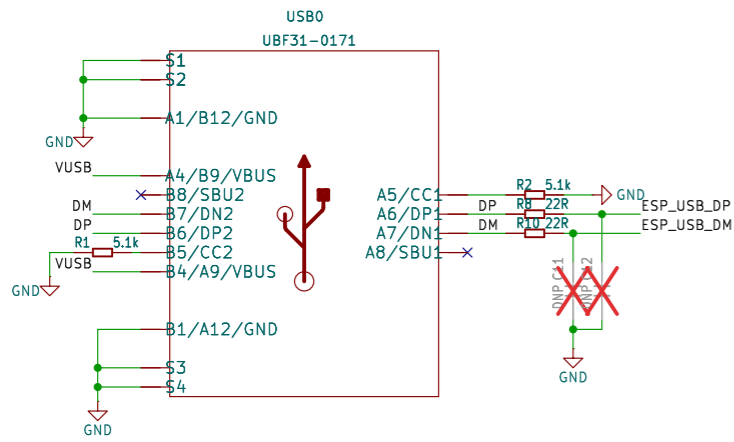
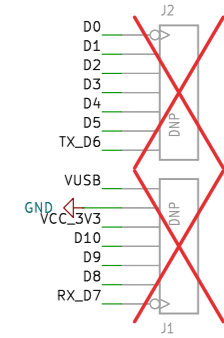
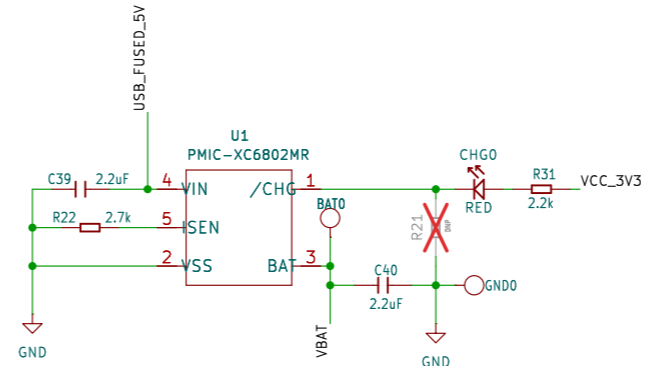
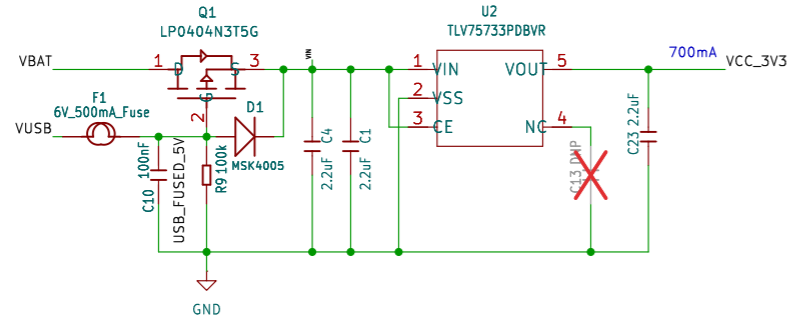
Sheet: /01 Descriptions/  
File: 01 Descriptions.kicad\_sch

**Title: XIAO ESP32-C3**

Size: A3 Date: 2026-01-15  
KiCad E.D.A. 9.0.6

Rev: v1.3  
Id: 2/3

CC BY-SA 4.0



**seed studio**

Seed Studio  
 Sheet: /02 XIAO ESP32-C3/  
 File: 02 XIAO ESP32-C3.kicad\_sch

**Title: XIAO ESP32-C3**

Size: A3 Date: 2026-01-15  
 KiCad E.D.A. 9.0.6

Rev: v1.3  
 Id: 3/3

CC BY-SA 4.0