



**HESTORE.HU**

elektronikai alkatrész áruház

**EN:** This Datasheet is presented by the manufacturer.

Please visit our website for pricing and availability at [www.hestore.hu](http://www.hestore.hu).

**LA42DWQ Potentiometer****Data:**

Electrical Characteristics:

Resistance Range ..... 1K $\Omega$ 、2K $\Omega$ 、3.7K $\Omega$ 、4.7 K $\Omega$ 、5 K $\Omega$ 、10 K $\Omega$ 、20 K $\Omega$ 、22 K $\Omega$ 、100 K $\Omega$  etc.resistance tolerance .....  $\pm 10\%$ Terminal resistance .....  $\leq 1\%R$ 

Contact resistance variation..... 4%R

Insulation resistance.....  $R_1 \geq 1G\Omega$ Voltage Endurance..... 101.3kpa 1000V, 8.5kpa  
350V

Environmental characteristics:

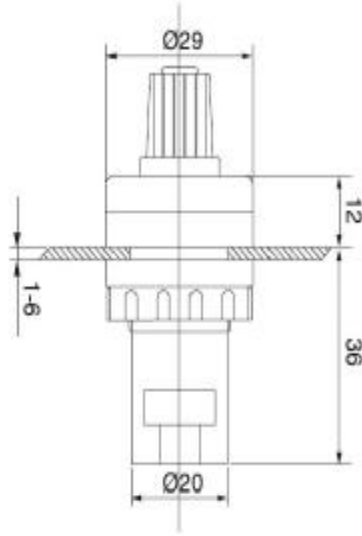
Rated power(max operated voltage 250V) .....  $+70^\circ\text{C}$ 0.5W,+125 $^\circ\text{C}$  0WRange of working temperature .....  $-5^\circ\text{C}— +125^\circ\text{C}$ Collison..... 390m/s<sup>2</sup>, 4000 times,  $\Delta R \leq \pm 2\%R$ Vibration ..... 10-500Hz, 0.75mm or 98m/s<sup>2</sup>, 3h  
.....  $\Delta R \leq \pm 2\%R$ ,  $(\Delta U_{ab}/U_{ac}) \leq 2\%$ Electrical durability in 70 $^\circ\text{C}$  ..... 0.5W, 1000h,

Mechanical endurance..... 10000 weeks

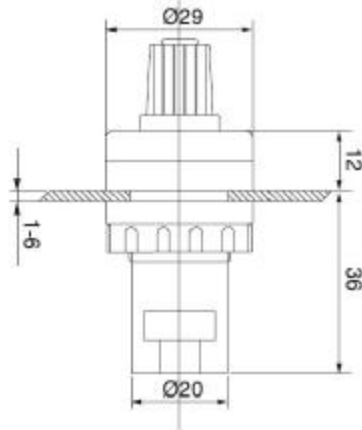
Normal hot and humid condition.....  $\Delta R \leq \pm 2\%R$

Name/ picture	Size	Model
		<b>LA42DWQ 1K</b>
		<b>LA42DWQ 2K</b>
		<b>LA42DWQ 4.7K</b>

		<p><b>LA42DWQ 5K</b></p>
		<p><b>LA42DWQ 10K</b></p>
		<p><b>LA42DWQ 20K</b></p>



**LA42DWQ 100K**



**LA42DWQ 470K**