



HESTORE.HU

elektronikai alkatrész áruház

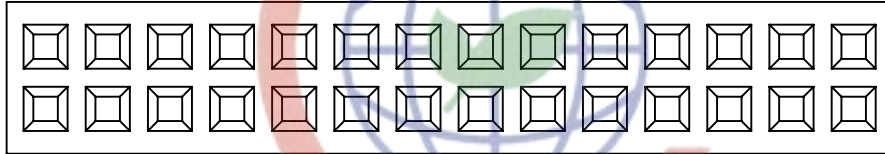
EN: This Datasheet is presented by the manufacturer.

Please visit our website for pricing and availability at www.hestore.hu.

REV.	DESCRIPTION	DRAWN	CHECKED	APPROVED
A	NEW RELEASE	HP 25/06/05		

N=No. of contacts/2

$$(N-1)*1.27+1.59\pm0.3$$



NOTES:

1. SPECIFICATIONS

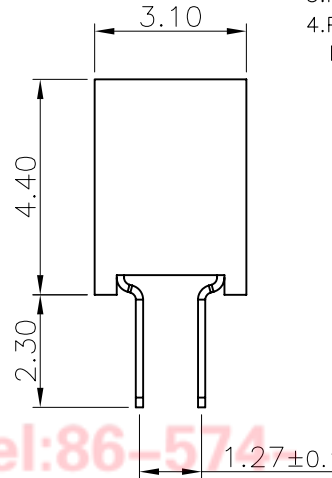
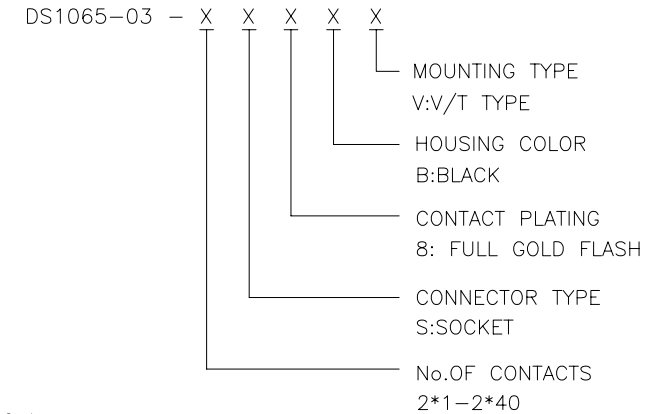
- . Current Rating: 1A
- . Insulation Resistance: 500MΩ Min
- . Dielectric Withstanding: 300V AC
- . Contact Resistance: 30mΩ Max
- . Operating Temperature: -40°C to +105°C

2. MATERIALS

- . Contact Material: Copper alloy
- . Insulator: Thermoplastic(UL94 V-0)

3. PART NUMBER: DS1065-03

4. PRODUCT NUMBER CODE:



$$1.27\pm0.1$$

PIN 0.40*0.15

$$(N-1)*1.27\pm0.2$$

Tel:86-574-
Fax:86-574-
E-mail:sale
Http://www

GENERAL TOLERANCE		ANGLE TOLERANCE		PROJECTION		TITLE	FEMALE HEADER PITCH 1.27mm TYPE
X.	±0.60	X.	±5°	UNITS	mm	WITHOUT POLARIZATION V/T TYPE	
.X	±0.38	.X	±3°	SHEET SIZE	A4	SERIES	DS1065-03
.XX	±0.25	.XX	±2°				
DRAWING TYPE		CUSTOMER					
SCALE	1:1	SHEET	1 OF 1				
DRAWING NO.	C-DS1065-03-XXXXX						



晨翔电子有限公司

CONNFLY CONNFLY ELECTRONIC CO. LTD