

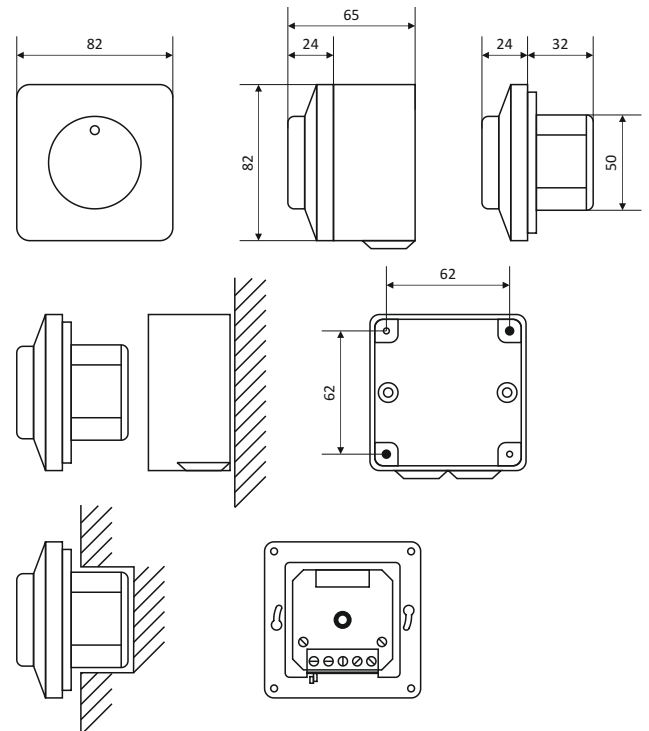


HESTORE.HU

elektronikai alkatrész áruház

EN: This Datasheet is presented by the manufacturer.

Please visit our website for pricing and availability at www.hestore.hu.



Output current: **0,25 - 2,5A**
 Rated voltage PRI: **230V 50/60Hz**
 Rated power: **80 - 460W**

Compact, electronic regulator dedicated for fan speed control in single phase ventilation and heating instalations (potentiometer regulation). Device is equipped with minimum speed adjust, fuse protection (with spare fuse), ON/OFF status LED indicator and regulation position memory. Ignition after pushing the potentiometer. Regulator is dedicated for both: surface and flush mounting. Protection grade IP54 (surface mounting) and IP44 (flush mounting). Manufactured in compliance with: EN61000-6-1, EN61000-6-3, EN60669-1 and EN60669-2-1.

WIRING DIAGRAM

