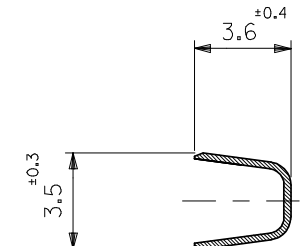
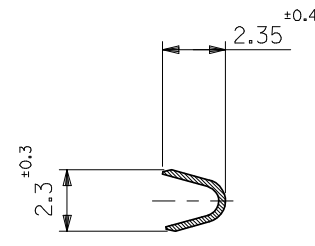
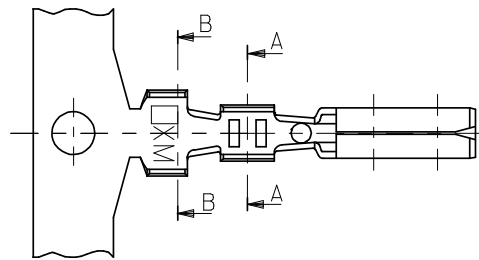




HESTORE.HU
elektronikai alkatrész áruház

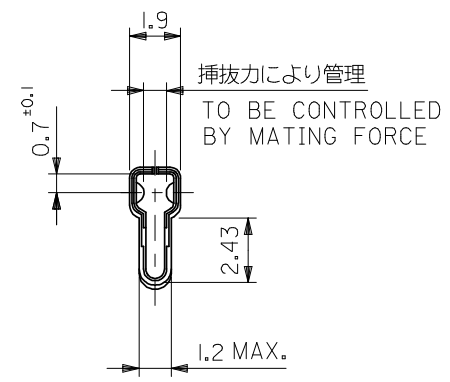
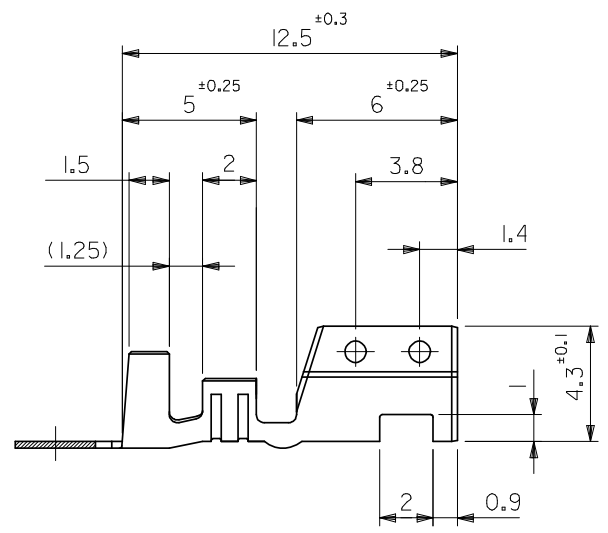
EN: This Datasheet is presented by the manufacturer.

Please visit our website for pricing and availability at www.hestore.hu.



断面 A-A
SECT.A-A

断面 B-B
SECT.B-B



注記
NOTES

1. 適合ハウジング : 5195-N* , 5196-N*
 APPLICABLE HOUSING 5197-N* , 5198-N*
 5199-N*

錫メッキ済リン青銅 PRE-TINNED PHOSPHOR BRONZE	Sn : 0.9 μ MIN	39-00-0022	5194PBT	バラ状 LOOSE
		39-00-0021	5194PBT	連鎖状 CHAIN
錫メッキ済黄銅 PRE-TINNED BRASS	Sn : 0.9 μ MIN, Cu : 0.5 μ MIN	08-70-1030	5194TL	バラ状 LOOSE
		08-70-1031	5194T	連鎖状 CHAIN
材料 MATERIAL	表面処理 FINISH	EDP NO.	ENG. NO.	端子形状 FORM

材料 MATERIAL	表参照 SEE TABLE 板厚: 0.254 (t=0.254)
仕上げ FINISH	表参照 SEE TABLE
適用電線範囲 WIRE RANGE	AWG #18-#24
被覆外径 INS. RANGE	ϕ 1.3 - ϕ 3.2

REVISED EC NO: J2008-3351 2008/03/24 DRWN:WABEI 2008/03/24 CHKD:THARUYAMA APPR:NUKITA 2008/03/24	DESCRIPTION	GENERAL TOLERANCES (UNLESS SPECIFIED)
	10 UNDER	\pm 0.2
	10 OVER 30 UNDER	\pm 0.25
	30 OVER	\pm 0.3
	ANGULAR	\pm 3 °
REV	J	DRAFT WHERE APPLICABLE MUST REMAIN WITHIN DIMENSIONS

DIMENSION STYLE MM ONLY	SCALE 5:1	DESIGN UNITS METRIC	THIRD ANGLE PROJECTION
DRAWN BY K.HASHIMOTO	DATE '96/05/21	TITLE SPOX CRIMP RECEPTACLE	
CHECKED BY S.KUNISHI	DATE '98/07/07	APPROVED BY M.FUKUSHIMA	
DATE '98/07/07	DATE '98/07/07	MATERIAL NO. SEE TABLE	
DATE '98/07/07	DATE '98/07/07	DOCUMENT NO. SD-5194-001	
DATE '98/07/07	DATE '98/07/07	SHEET NO. 1 OF 1	
DATE '98/07/07	DATE '98/07/07	THIS DRAWING CONTAINS INFORMATION THAT IS PROPRIETARY TO MOLEX INCORPORATED AND SHOULD NOT BE USED WITHOUT WRITTEN PERMISSION	