

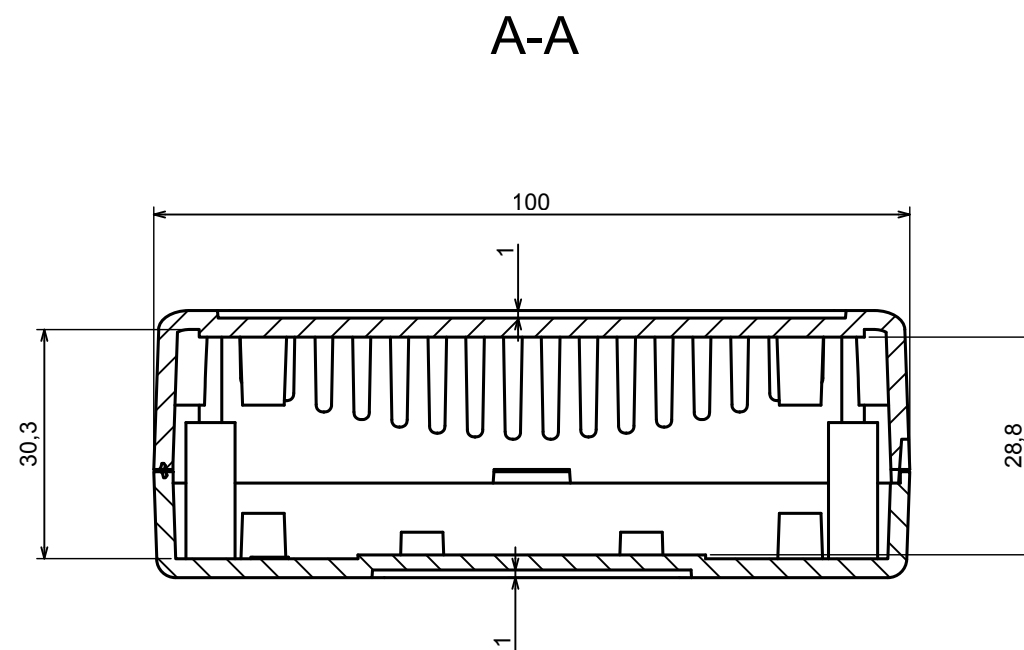
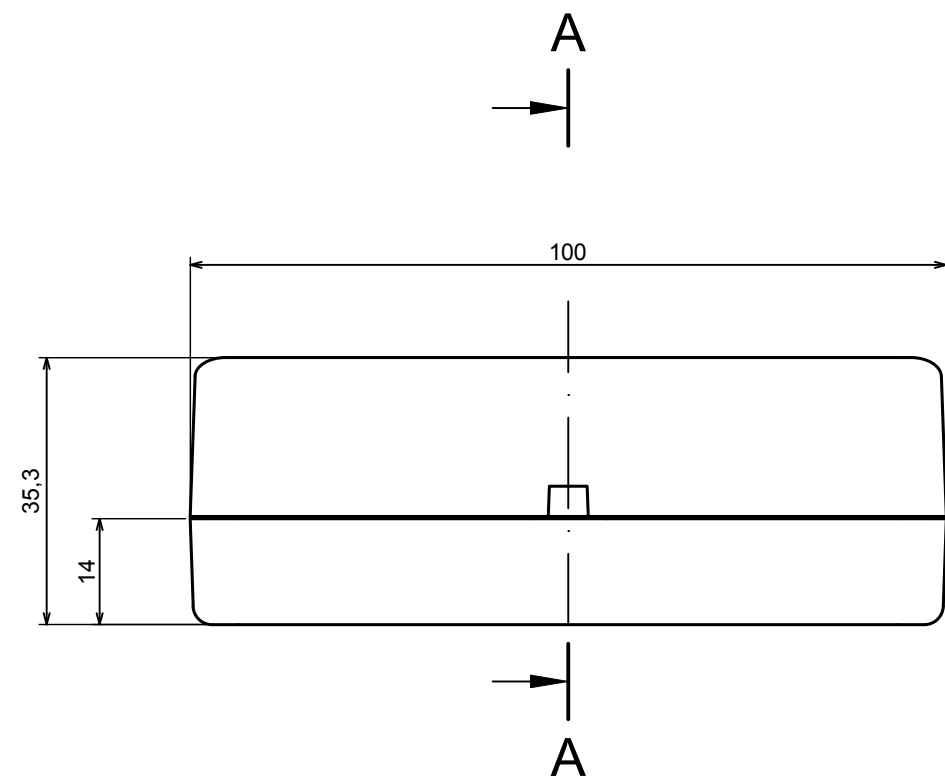


HESTORE.HU

elektronikai alkatrész áruház

EN: This Datasheet is presented by the manufacturer.

Please visit our website for pricing and availability at www.hestore.hu.



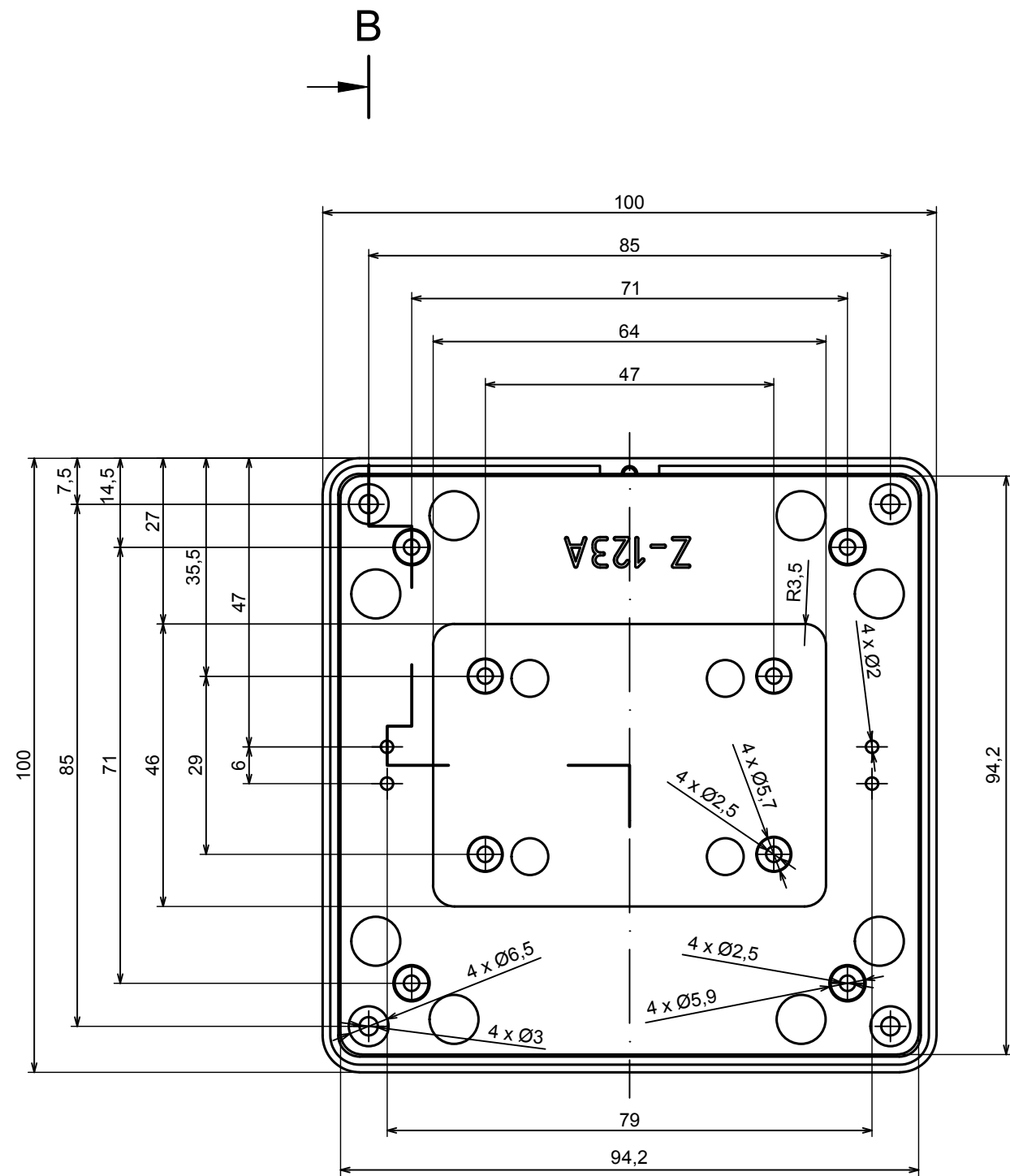
All rights reserved. Copyright Kradox 2019

Product model Enclosure Z123A - Assembly

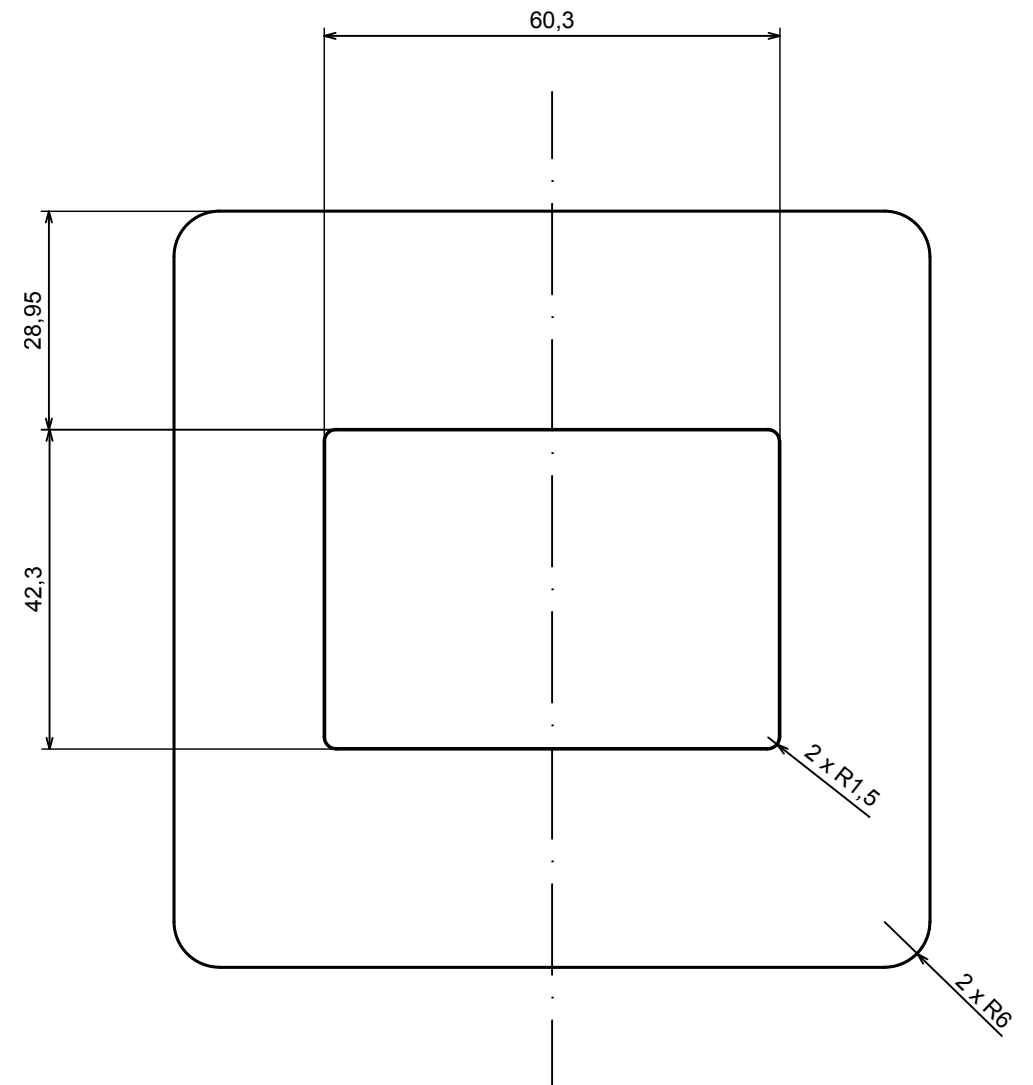
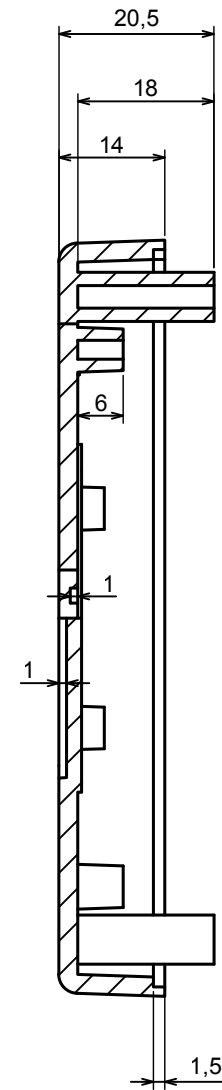
Format: A3 Material: ABS

Scale 1:1 Tolerance: +/- 0,5




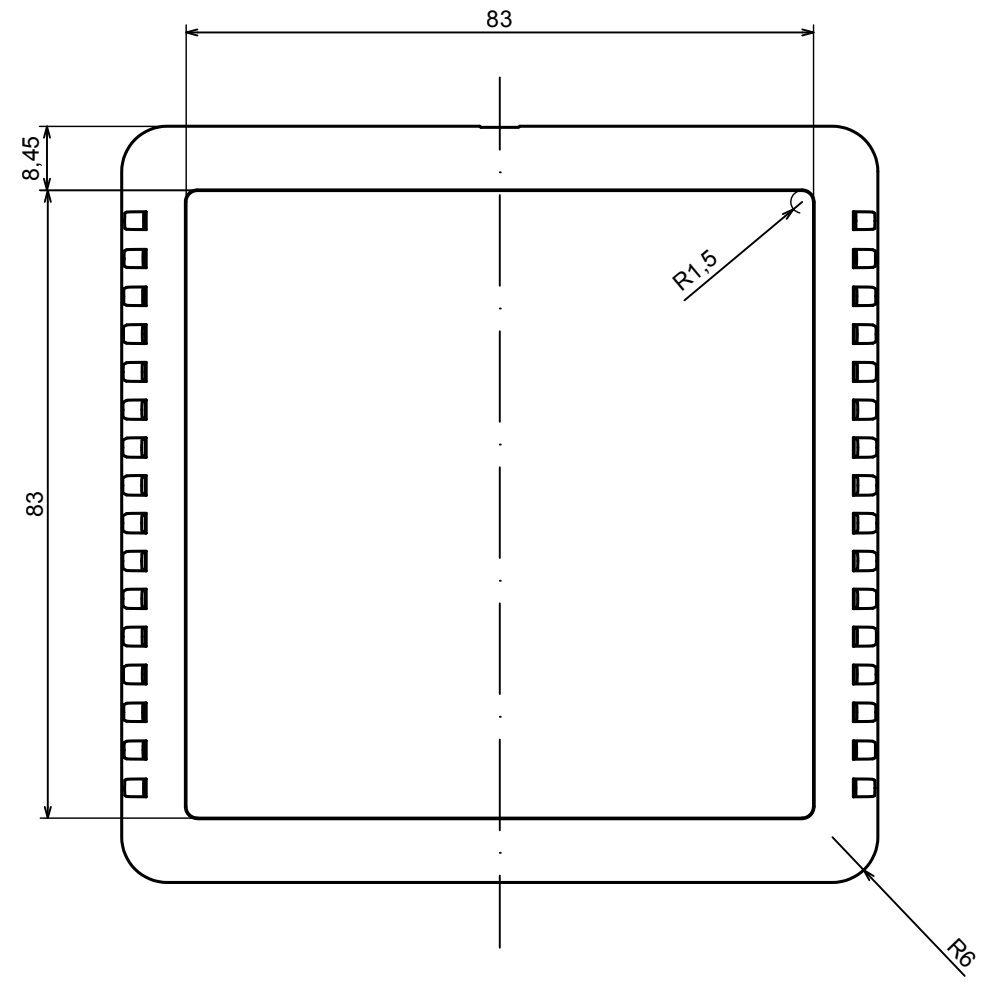
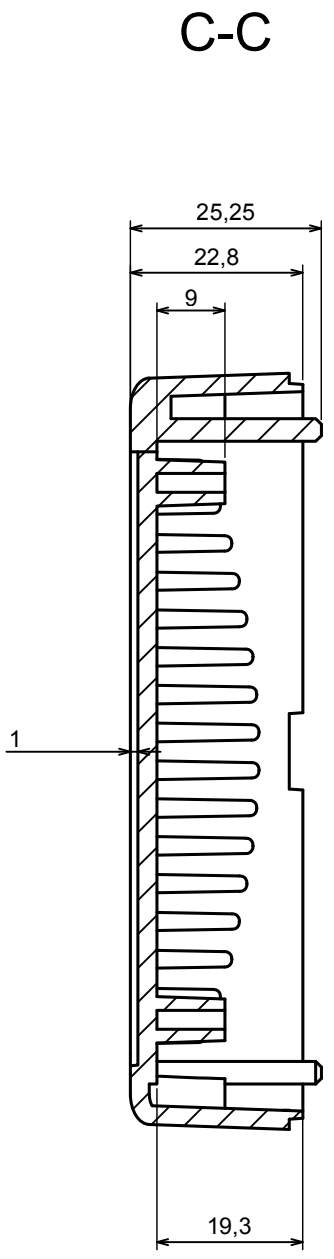
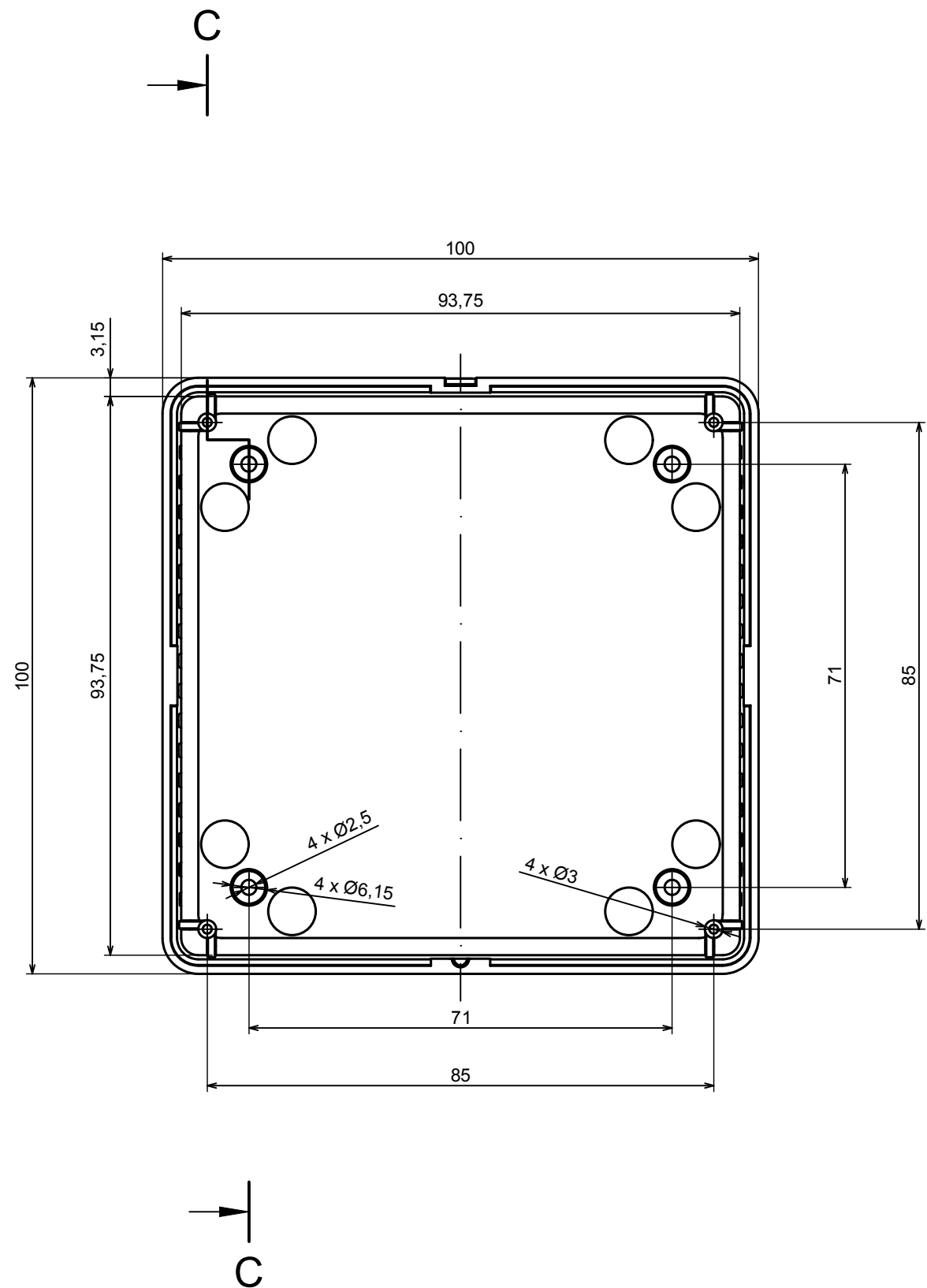



B-B



B

| | | |
|--|------------------------|---|
| All rights reserved. Copyright Kradox 2019 | | |
| Product model | Enclosure Z123A - Base | |
| Format: A3 | Material: ABS |  |
| Scale 1:1 | Tolerance: +/- 0,5 | |



| | | |
|--|-------------------------|---|
| All rights reserved. Copyright Kradox 2019 | | |
| Product model | Enclosure Z123A - Cover | |
| Format: A3 | Material: ABS |  |
| Scale 1:1 | Tolerance: +/- 0,5 | |