



**HESTORE.HU**

elektronikai alkatrész áruház

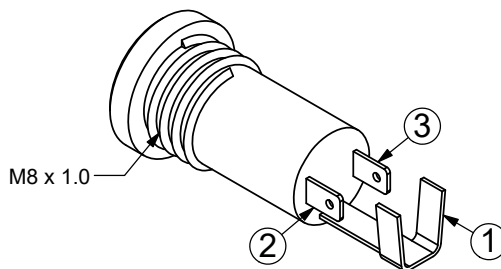
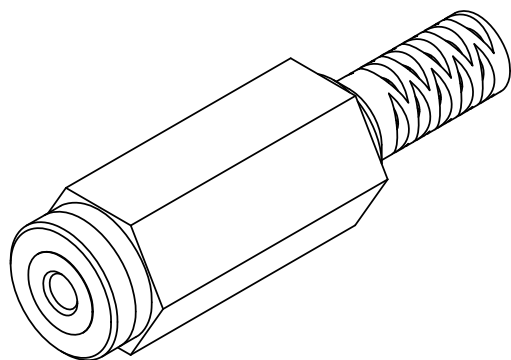
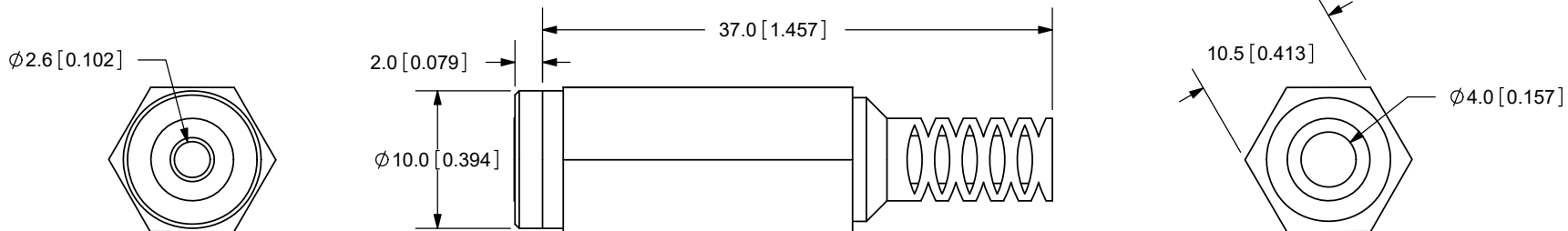
**EN:** This Datasheet is presented by the manufacturer.

Please visit our website for pricing and availability at [www.hestore.hu](http://www.hestore.hu).

Additional Resources: [Product Page](#)

|   |                          |
|---|--------------------------|
| B | <a href="#">3D Model</a> |
| C |                          |
| D |                          |
| E |                          |

| DESCRIPTION            | DATE       |
|------------------------|------------|
| NEW DRAWING            | 7/17/2006  |
| pin schematic added    | 12/5/2006  |
| added pin designations | 9/2/2008   |
| corrected thread size  | 1/30/2014  |
| logo, brand update     | 10/28/2022 |



HOUSING DETAIL DRAWING

TOLERANCE:  
±0.3mm UNLESS OTHERWISE  
SPECIFIED



**SPECIFICATIONS:**  
 CONTACT RESISTANCE: 50m OHMS MAX  
 INSULATION RESISTANCE: 100M OHMS MIN: 500V DC  
 VOLTAGE WITHSTAND: 500V AC R.M.S. FOR 1 MINUTE  
 LIFE: 5,000 CYCLES

|           |         |
|-----------|---------|
| MODEL NO. | SR-2501 |
| SCHEMATIC |         |

|            | MATERIAL        | PLATING |
|------------|-----------------|---------|
| TERMINAL 1 | Brass           | Nickel  |
| TERMINAL 2 | Phosphor Bronze | Nickel  |
| TERMINAL 3 | Phosphor Bronze | Gold    |
| INSULATOR  | Brass           | Gold    |
| CAP        | PE              |         |
| HOUSING    | PA              |         |

6405 SW Rosewood St, Suite C  
 Lake Oswego, OR 97035  
 Phone: 877-323-3576

Website: [www.sameskydevices.com](http://www.sameskydevices.com)

|                            |              |                    |
|----------------------------|--------------|--------------------|
| TITLE: IN-LINE STEREO JACK |              | REV: E             |
| PART NO. SR-2501           |              | UNITS: MM [INCHES] |
| DRAWN BY: RDS              | APPROVED BY: | SCALE: 2:1         |