



**HESTORE.HU**

elektronikai alkatrész áruház

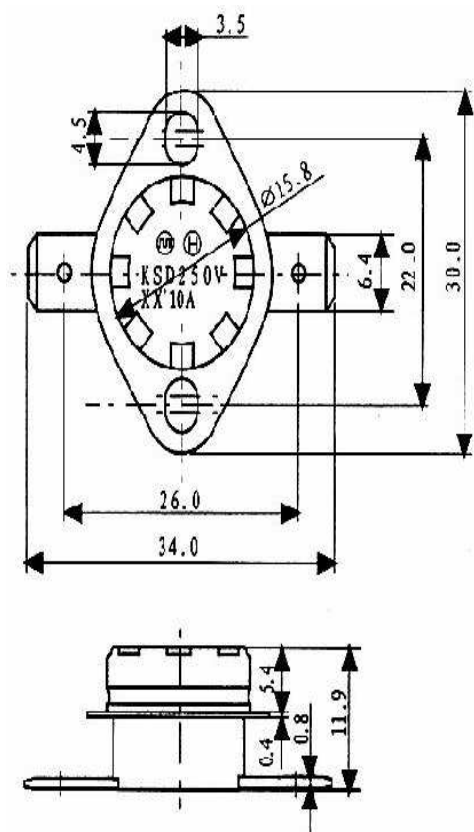
**EN:** This Datasheet is presented by the manufacturer.

Please visit our website for pricing and availability at [www.hestore.hu](http://www.hestore.hu).

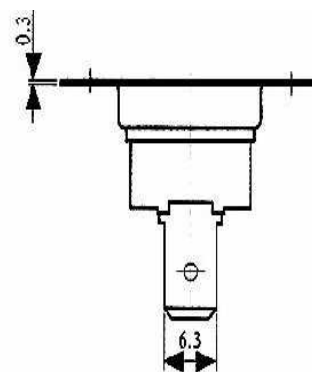
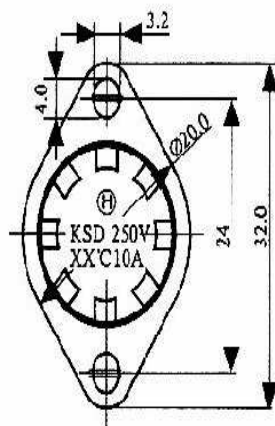
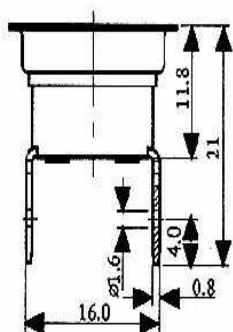
Bimetallic thermostats for temperature control - when temperature exceeds threshold the contact opens. After temperature decrease below threshold the contact closes again.

Thermostats with vertical connectors have movable yoke enabling easy mounting on flat surface. Thermostats with horizontal connectors have fixed yoke - mounting to a surface by means of distance bushes.

Max voltage : 250 V AC  
 Max current : 10 A  
 Terminations : 6,3 mm plug-on connectors  
 Contacts : NC - normal close



Horizontal  
plug-on connectors



Vertical  
plug-on  
connectors

	Symbol	Opening Temperature [°C]	Closing temperature [°C]	Terminations
BT-H70H		70±3	55±5	horizontal
BT-H80H		80±3	60±7	horizontal
BT-H100H		100±3	70±10	horizontal
BT-H160H		160±10	130±15	horizontal
BT-H70V		70±3	55±5	vertical
BT-H80V		80±3	60±7	vertical
BT-H100V		100±3	70±10	vertical
BT-H160V		160±10	130±15	vertical