

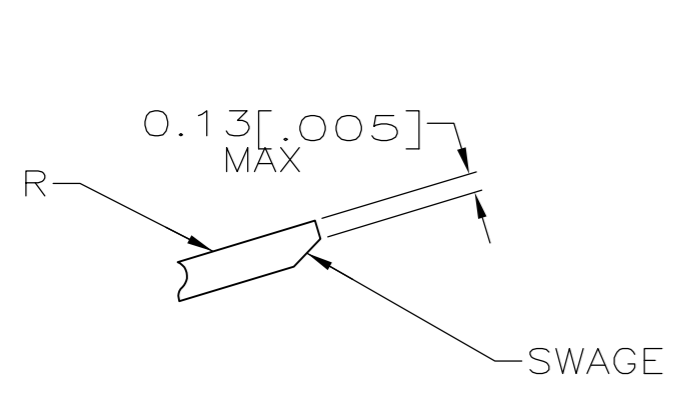


EN: This Datasheet/Document is presented by the manufacturer.

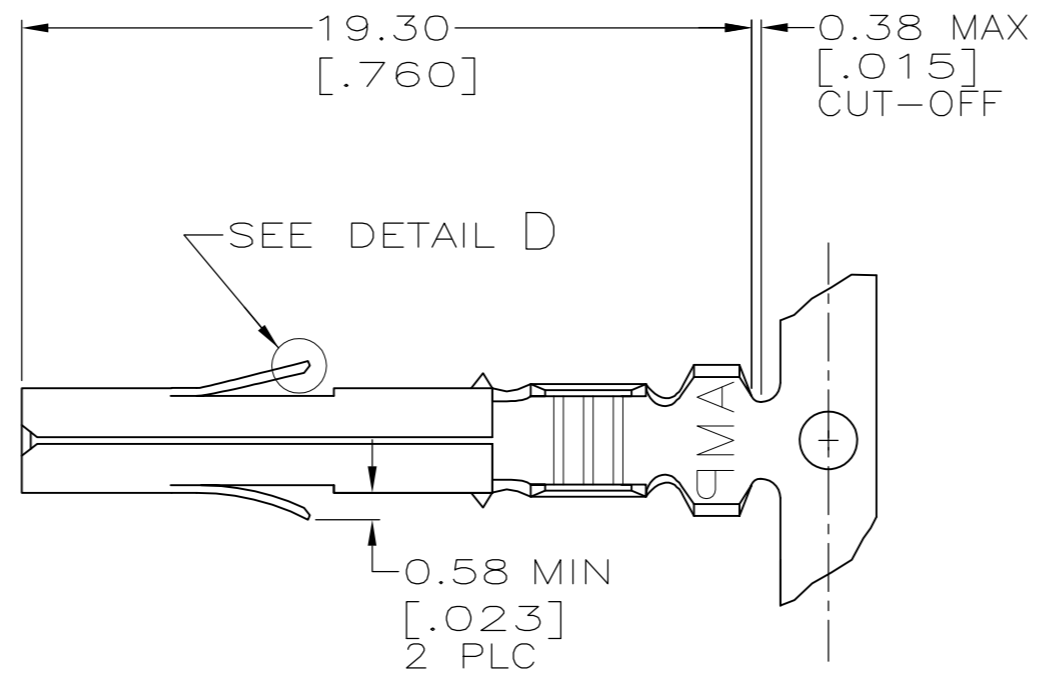
Please visit our website for pricing and availability at www.hestore.hu.

THIS DRAWING IS UNPUBLISHED. RELEASED FOR PUBLICATION
 © COPYRIGHT - By - ALL RIGHTS RESERVED.

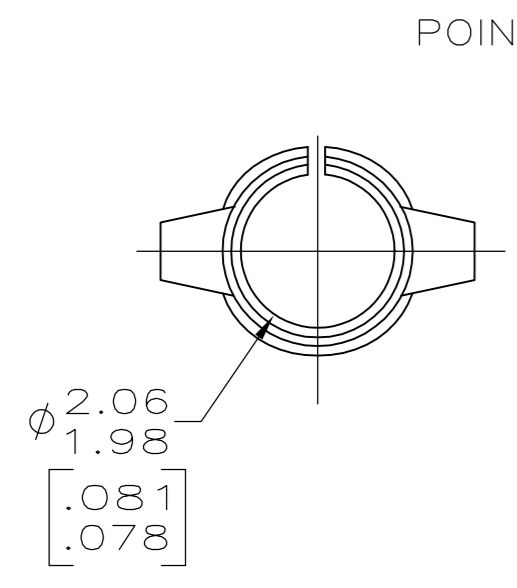
LOC	DIST	REVISIONS					
CM	OO	P	LTR	DESCRIPTION	DATE	DWN	APVD
		S		REVISED PER ECR-12-013323	09AUG12	KH	TM



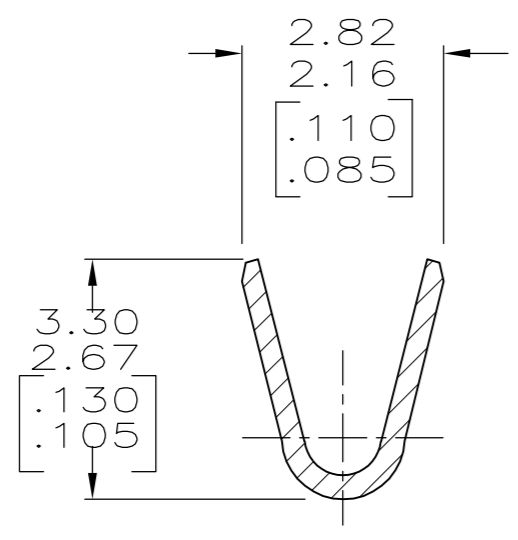
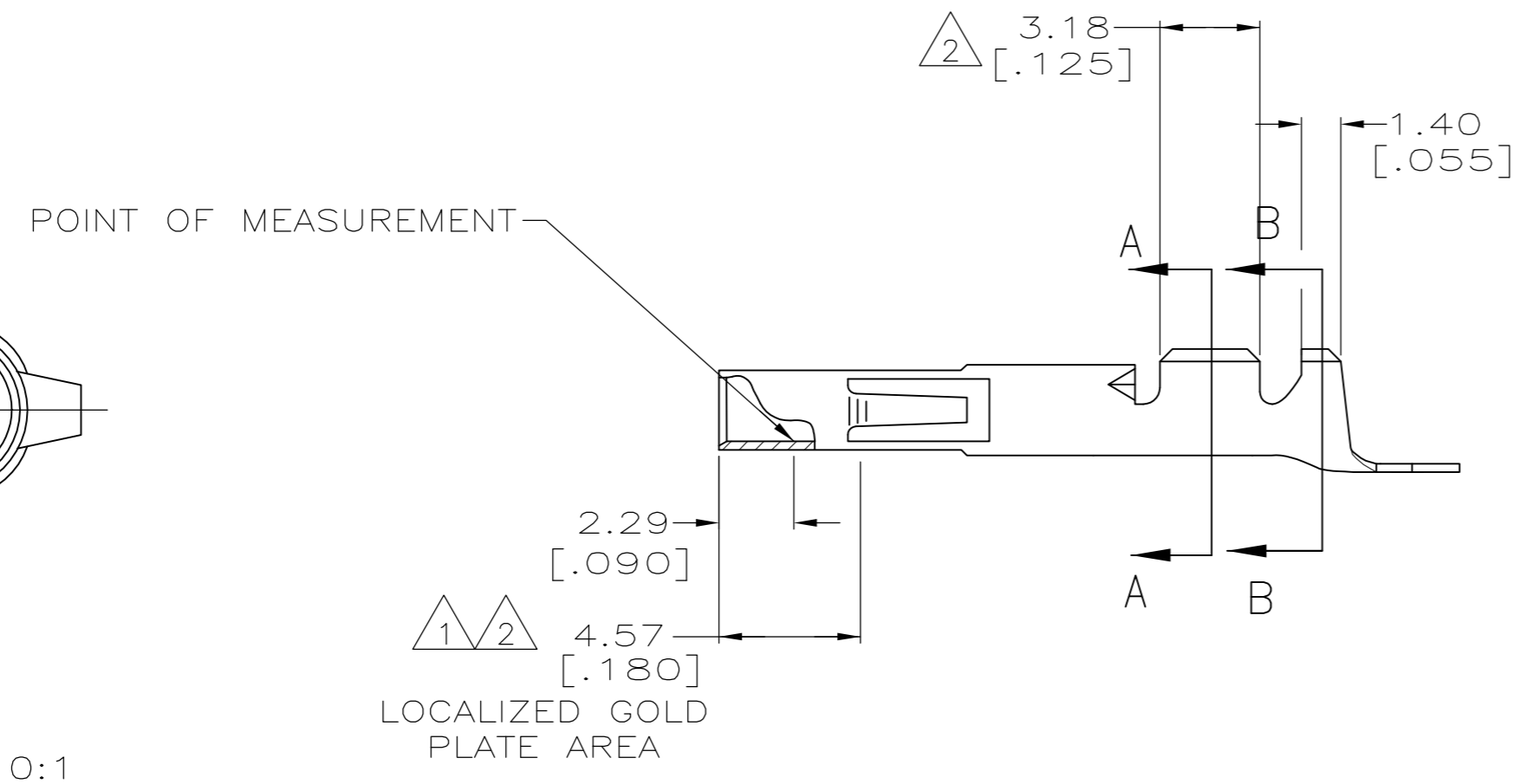
DETAIL D
SCALE 20:1



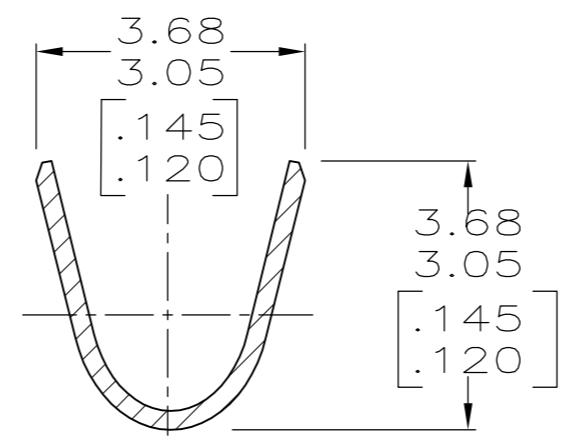
- 1 0.00076 [.000030] THICK GOLD OVER NICKEL ON INSIDE OF RECEPTACLE; REMAINDER OF CONTACT IS NICKEL PLATED.
- 2 0.00076 [.000030] THICK GOLD OVER NICKEL ON INSIDE OF RECEPTACLE AND WIRE BARREL; REMAINDER OF CONTACT IS NICKEL PLATED.
- 3 NOT MANUFACTURED UN USA.
- 4 DIMENSIONS IN BRACKETS ARE IN INCHES.
- 5 WIRE RANGE: 24-18 AWG
- 6 INSULATION RANGE: 1.02-2.54 [.040-.100] DIA.



SCALE 10:1



SECTION A-A
SCALE 10:1



SECTION B-B
SCALE 10:1

MATERIAL	FINISH	PART NUMBER
0.25 [.010] BRASS	GOLD (triangle 1)	350689-7
0.25 [.010] PH BRZ	GOLD (triangles 1 and 3)	350689-6
0.25 [.010] PH BRZ	PRE-TIN	350689-3
0.25 [.010] BRASS	GOLD (triangle 2)	350689-2
0.25 [.010] BRASS	PRE-TIN	350689-1

THIS DRAWING IS A CONTROLLED DOCUMENT.

DWN K. WHITAKER 13-JAN-04	TE Connectivity
CHK S. RIDGILL 13-JAN-04	
APVD S. RIDGILL 13-JAN-04	
PRODUCT SPEC	
MATERIAL	NAME SOCKET,(LOOSE PIECE) UNIVERSAL MATE-N-LOK™
DIMENSIONS: mm	SIZE A2
TOLERANCES UNLESS OTHERWISE SPECIFIED: 0 PLC ± - 1 PLC ± - 2 PLC ± 0.13 [.005] 3 PLC ± - 4 PLC ± - ANGLES ± 0°30'	CAGE CODE 00779
MATERIAL	DRAWING NO C=350689
FINISH	RESTRICTED TO
	SCALE 5:1
	SHEET 1 of 1
	REV S

CUSTOMER DRAWING