



HESTORE.HU

elektronikai alkatrész áruház

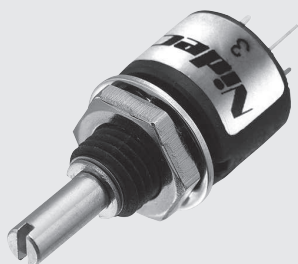
EN: This Datasheet is presented by the manufacturer.

Please visit our website for pricing and availability at www.hestore.hu.

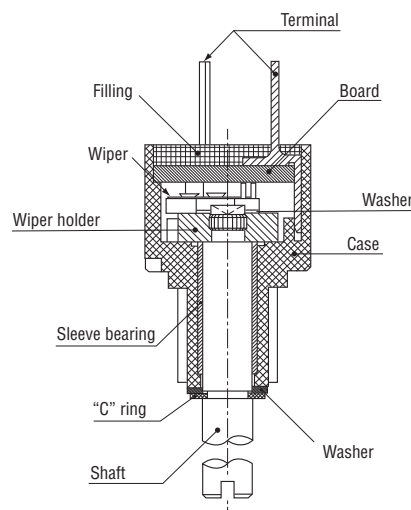
CONDUCTIVE PLASTIC SINGLE TURN TYPE

JC10 series

RoHS compliant



Basic construction Conductive plastic single turn type



FEATURES

- Compact ($\phi 10$ mm)
- Long life
- High resolution (Essentially infinite)
- High following characteristics
- Cost effective
- RoHS compliant

PART NUMBER DESIGNATION

JC10-000-202N

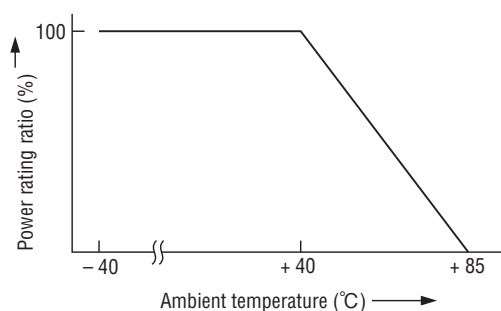
Series name

Nominal resistance value (Ω)
2 k, 5 k, 10 k

LIST OF PART NUMBERS

Nominal resistance value	Part number
2 k Ω	JC10-000-202N
5 k Ω	JC10-000-502N
10 k Ω	JC10-000-103N

RATED POWER DERATING CURVE



STANDARD SPECIFICATIONS

Electrical characteristics

Nominal resistance value		2 kΩ, 5 kΩ, 10 kΩ
Resistance tolerance	%	± 20
Resolution		Essentially infinite
Independent linearity	%	± 2
Effective electrical angle		324° ± 5°
Power rating (at 40 °C)	W	0.125
Dielectric strength	Vrms	500, 1min
Insulation resistance	MΩ minimum	100 (at DC 500 V)
Temp. coefficient of resistance	ppm/°C	± 400
Output smoothness		0.1 % maximum

Mechanical characteristics

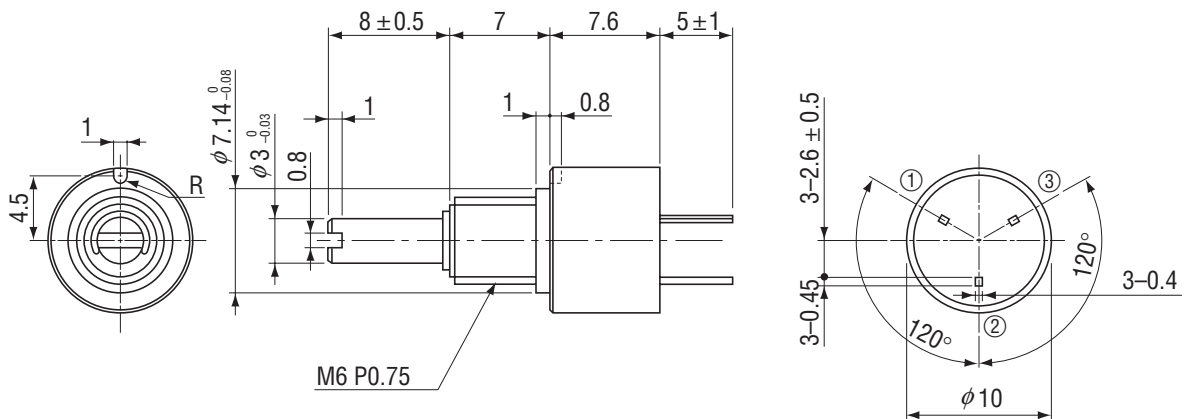
Mechanical angle		360° continuous
Rotational torque	mN·m {gf·cm} maximum	1.96 {20}
Rotational life (cycles)		5 million
Strength of tighten screw	N·cm {kgf·cm}	49 {5} maximum

Environmental characteristics

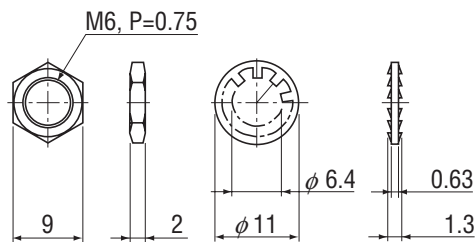
Operating temp. range	°C	-30 ~ 85
Net weight	g	Approx. 3
Protection grade		IP40

OUTLINE DIMENSIONS

(Unit : mm)



<Accessories>



<Wiring diagram>

