



HESTORE.HU

elektronikai alkatrész áruház

EN: This Datasheet is presented by the manufacturer.

Please visit our website for pricing and availability at www.hestore.hu.



1630-2/1630-2 FC Earth Ground Clamp

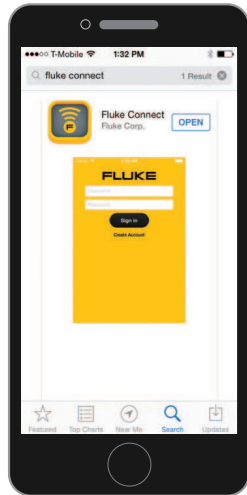
Warning

To prevent possible electrical shock, fire, or personal injury read the "1630-2/1630-2 FC Safety Information" before you use this Product.

Consult user documentation.

Go to www.fluke.com to register your product and find more information.

Install Fluke Connect® App



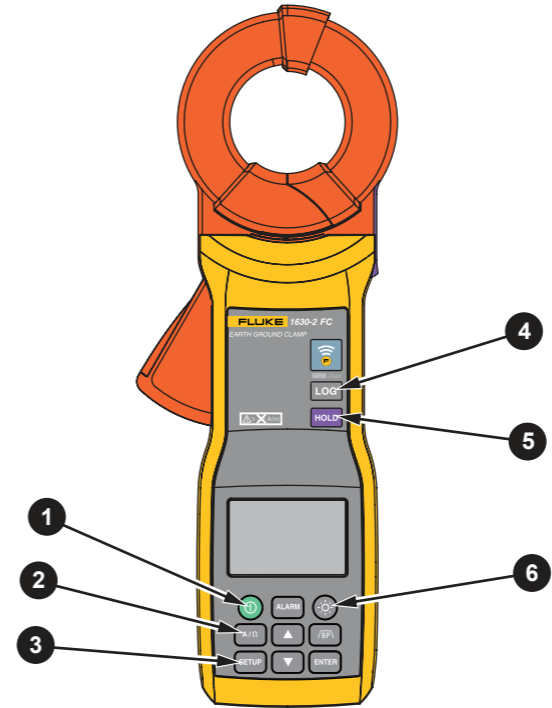
FLUKE CONNECT Be ready with measurement data. With the Fluke Connect® Measurements app, you can save equipment measurements to the cloud and share them or reference them at any time. Connect with your team using Fluke Connect® wireless tools and the Fluke Connect Measurement app.

For more information about Fluke Connect, contact us at 844-427-2296 or visit www.flukeconnect.com.

Wireless Radio Setup (1630-2 FC)

1. Press the power button.
2. Press the function button (A/Ω).
3. iOS Settings / Android Settings > Bluetooth On
4. Tap the Fluke Connect app icon on the smartphone.
5. Tap the 1630-2FC device in the app.
6. Tap the CAPTURE button on the device screen.
7. Tap the Done button on the app screen.

Clamp Functions



- 1 Power ON/OFF**
 = ON >2 s = OFF
 >20 m (no use) = Auto-Off
 - 2 Function Switch**
 Toggle between Current and Resistance function.
 - 3 Setup**
 >
 - Log interval
 - Alarm threshold
 - Time
 - Clamp settings
- For complete instructions go to www.fluke.com to view or download the users manual.

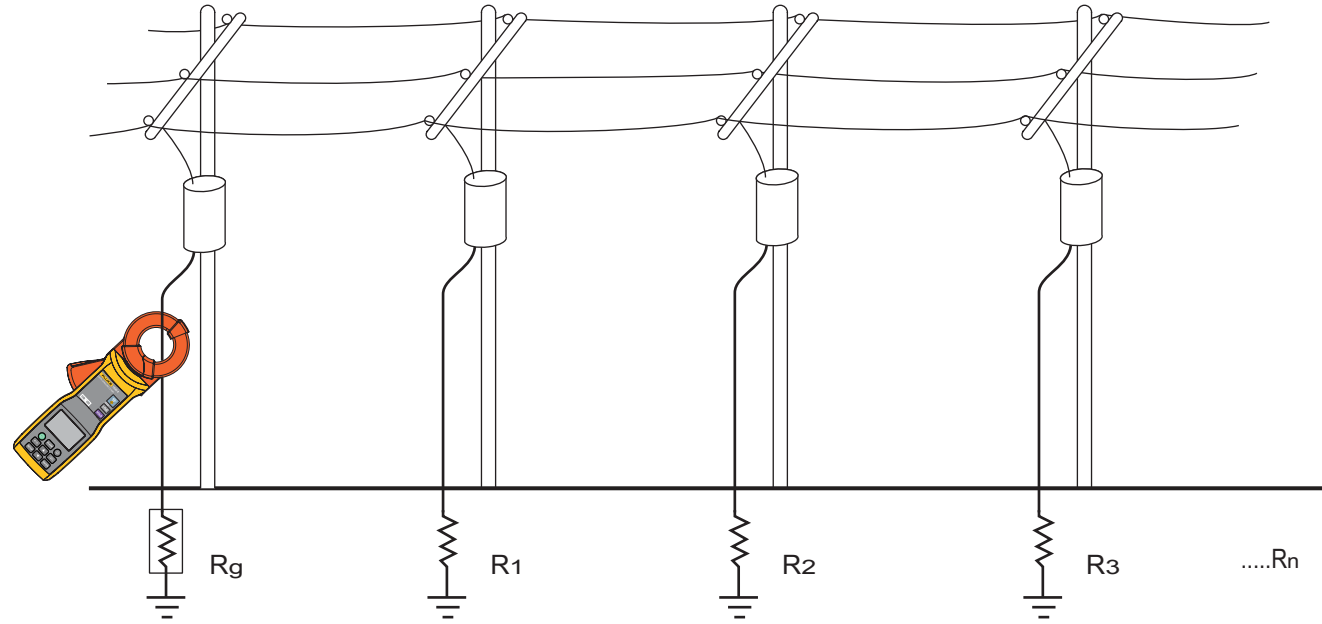
- 4 Log Measurements**
 = on the display.
- View Memory**
 >2 s =
- Clear Memory**
 >2 s to confirm
- 5 Hold**
 the displayed value
- 6 Backlight**
 = ON/OFF
- Backlight Auto-Off Setup**
 1. until **bl:** shows
 2.

When on, >2 m (no use) = Backlight Auto-Off
 3. to confirm
 4. > Measurement Mode

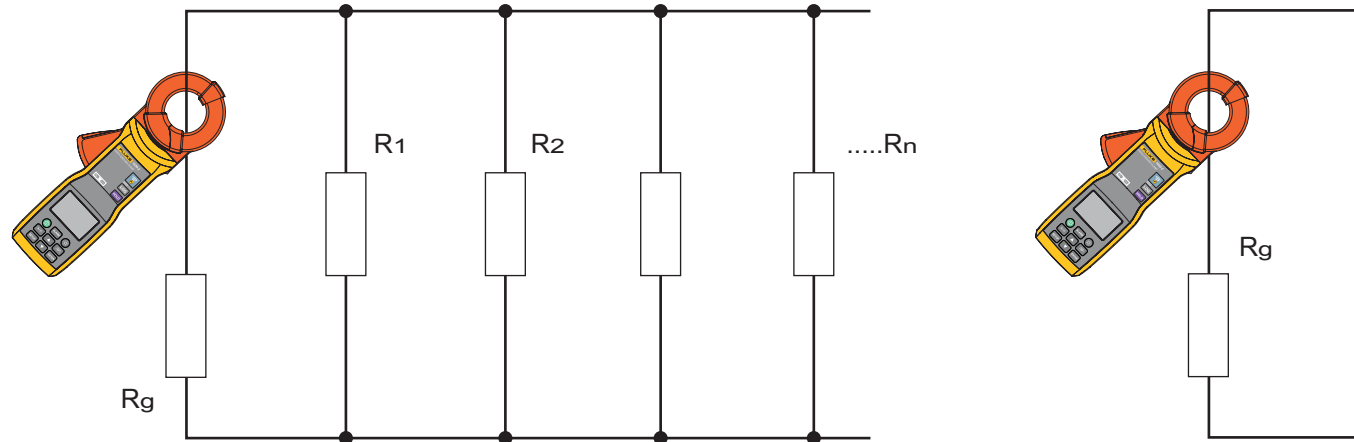
Measurements

Ground Resistance

Ground resistance measurements principle:

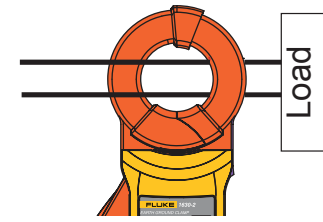


Equivalent circuit diagram:

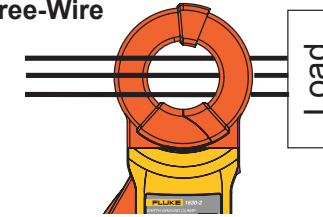


AC Leakage Current

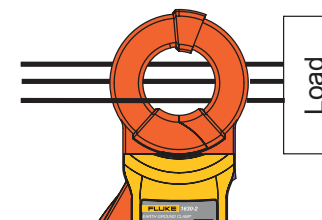
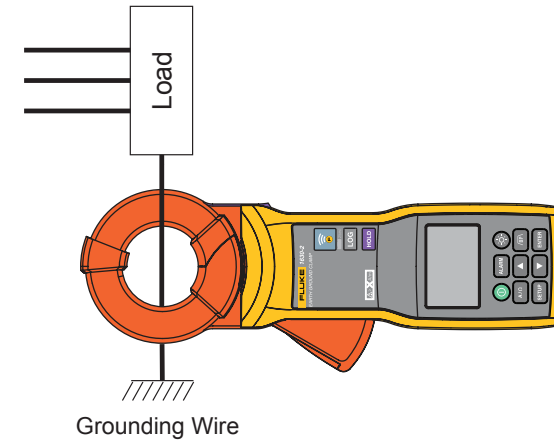
Single-Phase Two-Wire Circuit



Single-Phase Three-Wire or Three-Phase Three-Wire Circuit



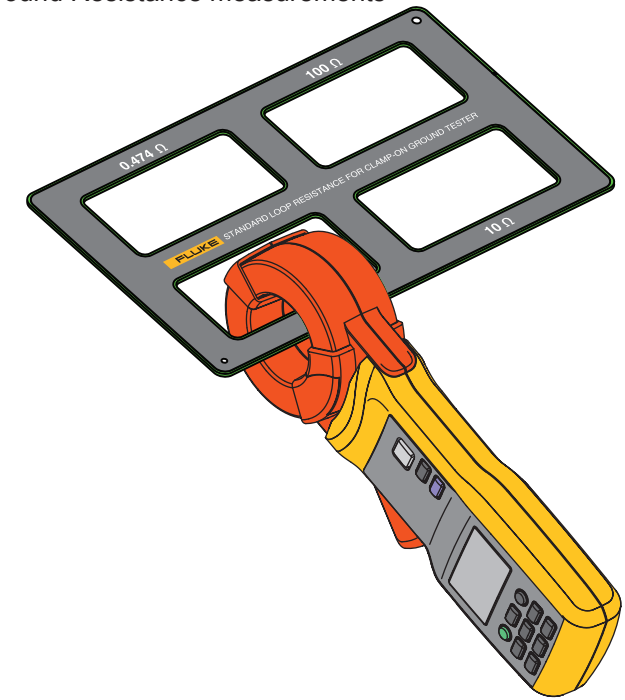
Load Current



Insert only one of the wires through the jaws

Standard Loop Resistance

Check the Clamp before Ground Resistance measurements



Battery

