



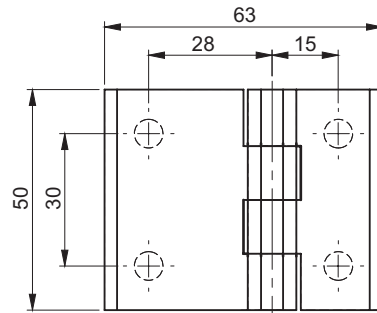
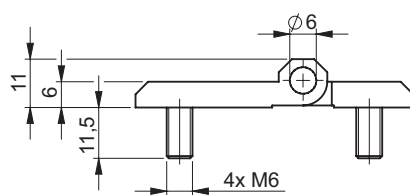
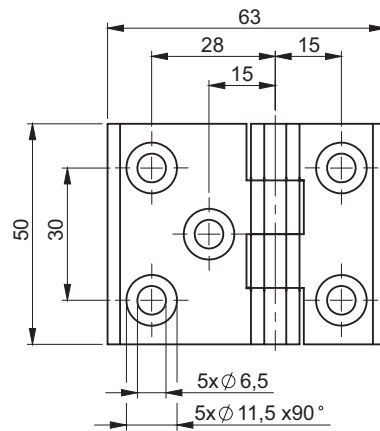
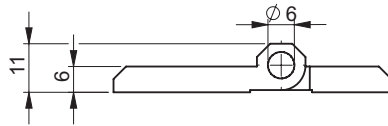
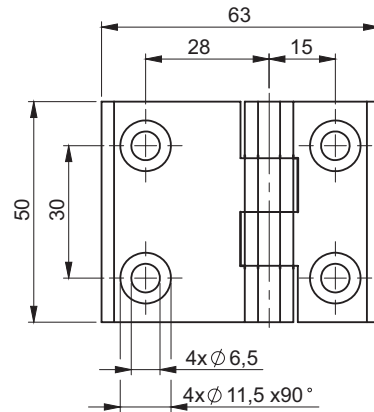
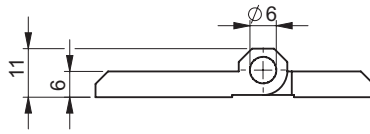
HESTORE.HU

elektronikai alkatrész áruház

EN: This Datasheet is presented by the manufacturer.

Please visit our website for pricing and availability at www.hestore.hu.

3.509.XY



where:

X - the way of assembling the hinge

0 - version with 4 holes

1 - version with 5 holes

3 - version with 4 screw

Y - finish

1 - Chrome

2 - RAL 9005

HINGE

FINISH

HINGE	FINISH	
3.509.XY	01	02
	11	12
	31	32

CATALOGUE NUMBER

COMPONENTS

MATERIAL

3.509.XY	Holder, Base	ZAMAK 5
	Pin	Stainless steel
	Screw	Steel zinc plated