



HESTORE.HU

elektronikai alkatrész áruház

EN: This Datasheet is presented by the manufacturer.

Please visit our website for pricing and availability at www.hestore.hu.

Features:

- 2 ~ 24 circuits available
- 600V volts rating (R.M.S.)
- Current rating up to 9 amperes per circuits
- Positive housing locks
- Max. panel thickness: 2.54mm

Specification:

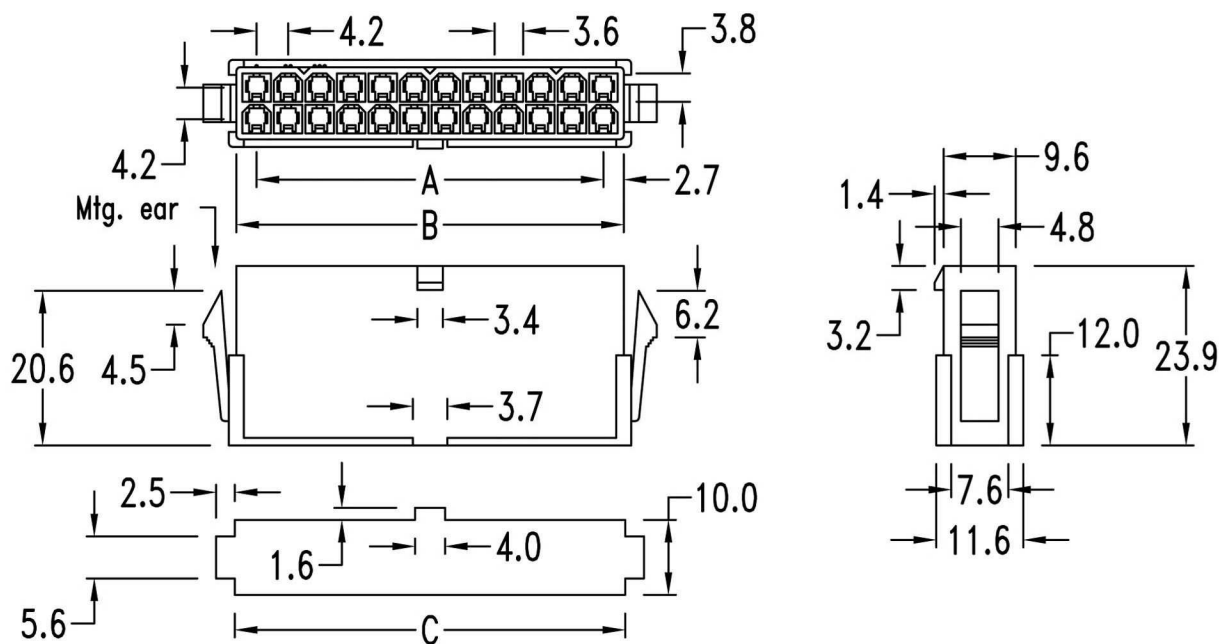
- Current rating and wire size:

Wire Size AWG	Circuits			
	2	4, 6	8, 10	12~24
# 18	9 A	8 A	7 A	6 A
# 20	7 A	6 A	5 A	5 A
# 22	5 A	4 A	4 A	4 A
# 24	4 A	3 A	3 A	3 A

- Voltage rating: 600V AC, DC
- Insulation resistance: DC 500V 1000MΩ min.
- Dielectric withstanding voltage: 1500V AC/minute
- Ambient temperature range: -25°C ~ 85°C
(including temperature rise)

H
5050
—
12
P
D
W
0
0
0
R

- | | | |
|---|---|---|
| <p>1. PRODUCTS:
H:Housing</p> <p>2. SERIES NO.:
5050(Female Housing)</p> <p>3. CONTACT NO.:
02(1x2)-12(1x12)
02(2x1)-24(2x12)</p> | <p>4. CONTACT TYPE:
P:Non Distribution</p> <p>5. ROW TYPE:
S:Single Row
D:Dual Row</p> <p>6. INSULATOR COLOR:
W:White</p> | <p>7. BODY OPTION:
0:W/ Ear
A:W/O Ear</p> <p>8. FILL IT WITH"0"</p> <p>9. MATERIAL:
0:Nylon 66 UL94V-2
1:Nylon 66 UL94V-0</p> <p>10. R:ROHS</p> |
|---|---|---|



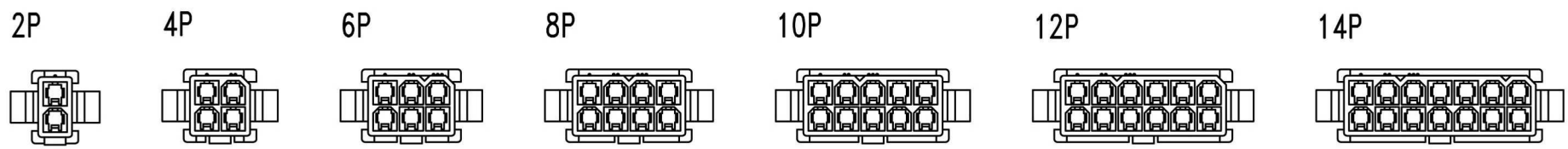
Dimensional Information (mm)

Circuits	Dim. A	Dim. B	Dim. C	Circuits	Dim. A	Dim. B	Dim. C
2		5.6	5.8	14	25.2	30.8	31.0
4	4.2	9.8	10.0	16	29.4	35.0	35.2
6	8.4	14.0	14.2	18	33.6	39.2	39.4
8	12.6	18.2	18.4	20	37.8	43.4	43.6
10	16.8	22.4	22.6	22	42.0	47.6	47.8
12	21.0	26.6	26.8	24	46.2	51.8	52.0

<p>RoHS Compliant</p>	<p>HSM 玄茂科技股份有限公司 HSUAN MAO TECHNOLOGY CO., LTD.</p>
<p>APPD. 核准</p> <p>DWG. 製圖</p> <p>DATE 制表日</p> <p>2020/07/31</p>	<p>SCALE 比例</p> <p>UNIT 單位</p> <p>PAGE 張數</p> <p>1 / 1</p>
<p>TOLERANCE 容許公差</p> <p>.000 ± 0.08 (mm)</p> <p>.00 ± 0.25 (mm)</p> <p>.0 ± 0.4 (mm)</p> <p>SIZE. 紙張尺寸</p> <p>A 4</p> <p>REV. 版次</p> <p>B</p>	<p>PART NAME 品名</p> <p>MINI FIT 4.2mm FEMALE HOUSING 2XXXP WHITE COLOR ROHS</p> <p>PART NO. 料號</p> <p>H5050-XXPDW00XR</p>

1 2 3 4 5 6 7 8

A

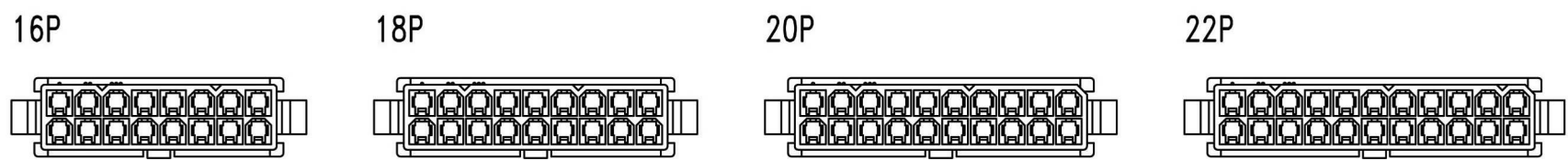


B

A

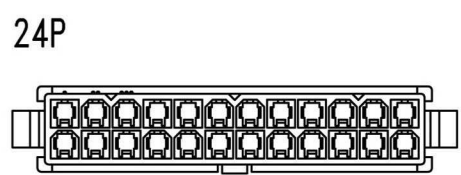
B

C



C

D



D

E

Ordering Information

Part No.	Material	Feature
H5050-XXPDWA00R	UL 94V-2	Without Mtg. ears
H5050-XXPDW000R		With Mtg. ears
H5050-XXPDWA01R	UL 94V-0	Without Mtg. ears
H5050-XXPDW001R		With Mtg. ears

&& xx = 02 ~ 24

E

F

F

G

RoHS Compliant **HSM 玄茂科技股份有限公司**
HSUAN MAO TECHNOLOGY CO., LTD.

G

H

APPD. 核准		TOLERANCE 容許公差 .000 ± 0.08 (mm) .00 ± 0.25 (mm) .0 ± 0.4 (mm)	PART NAME 品名 MINI FIT 4.2mm FEMALE HOUSING 2XXXP WHITE COLOR ROHS
DWG. 製圖 Hedy		SCALE 比例 參考	
DATE 制表日 2020/08/03	UNIT 單位 MM	SIZE. 紙張尺寸 A 4	PART NO. 料號 H5050-XXPDW00XR
	PAGE 張數 1 / 1	REV. 版次 B	

H

1 2 3 4 5 6 7 8