



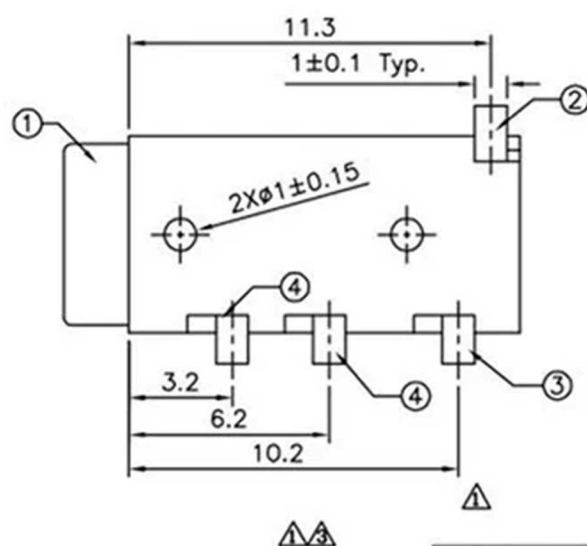
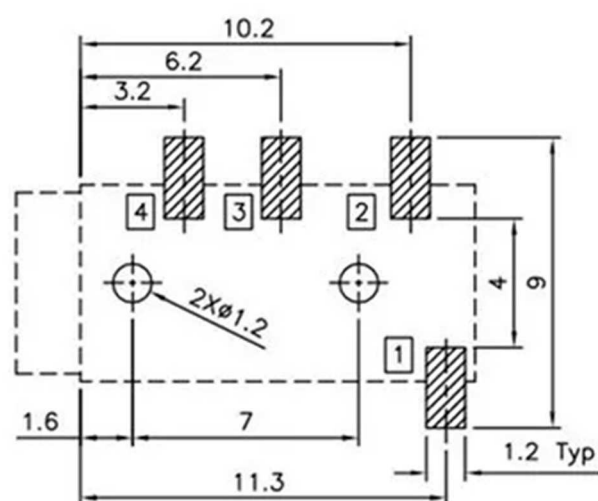
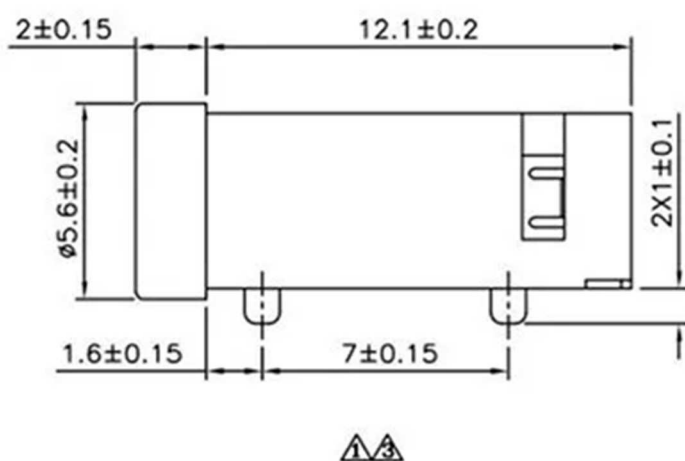
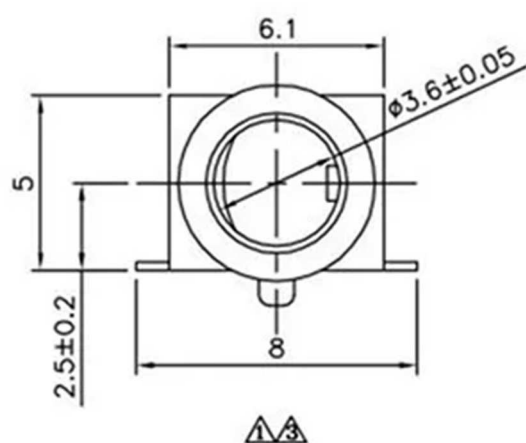
**HESTORE.HU**

elektronikai alkatrész áruház

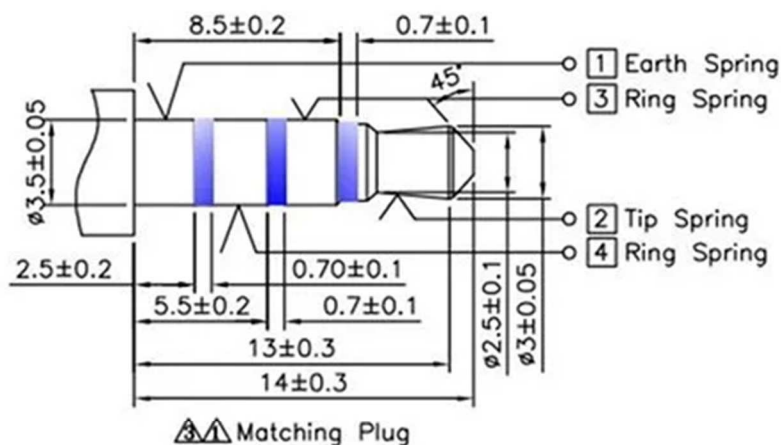
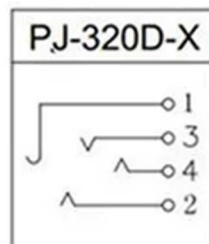
**EN:** This Datasheet is presented by the manufacturer.

Please visit our website for pricing and availability at [www.hestore.hu](http://www.hestore.hu).

# Product specification chart



△ Recommended P.C.B. Layout (Top View)  
(PCB Board Tolerance ±0.05)



△△ Matching Plug

④	Ring Spring	③&④	2	Phosphor Bronze	Silver Plated
③	Tip Spring	②	1	Phosphor Bronze	Silver Plated
②	Earth Spring	①	1	Stainless Steel	Silver Plated
①	Housing		1	PA9T	Black
No.	Description		Q'ty	Material	Remark