

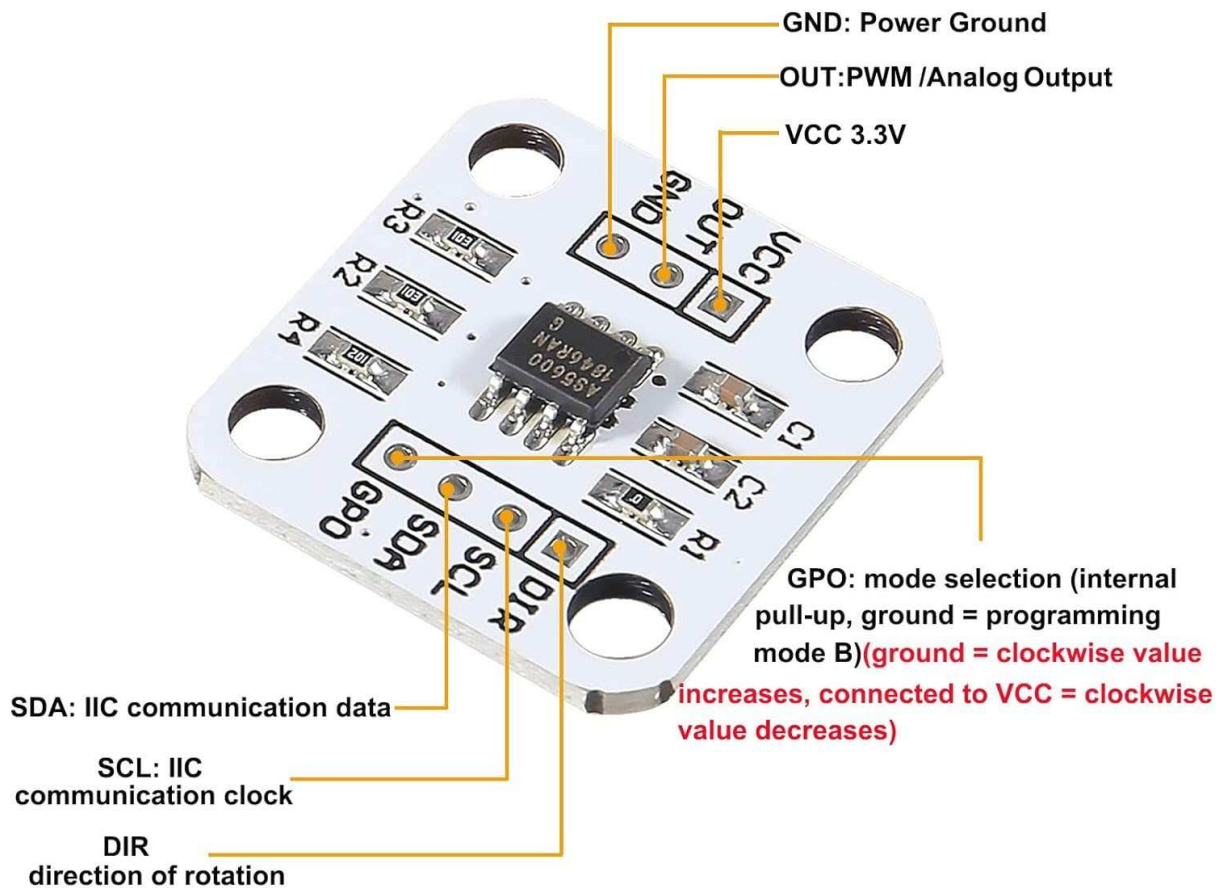


HESTORE.HU

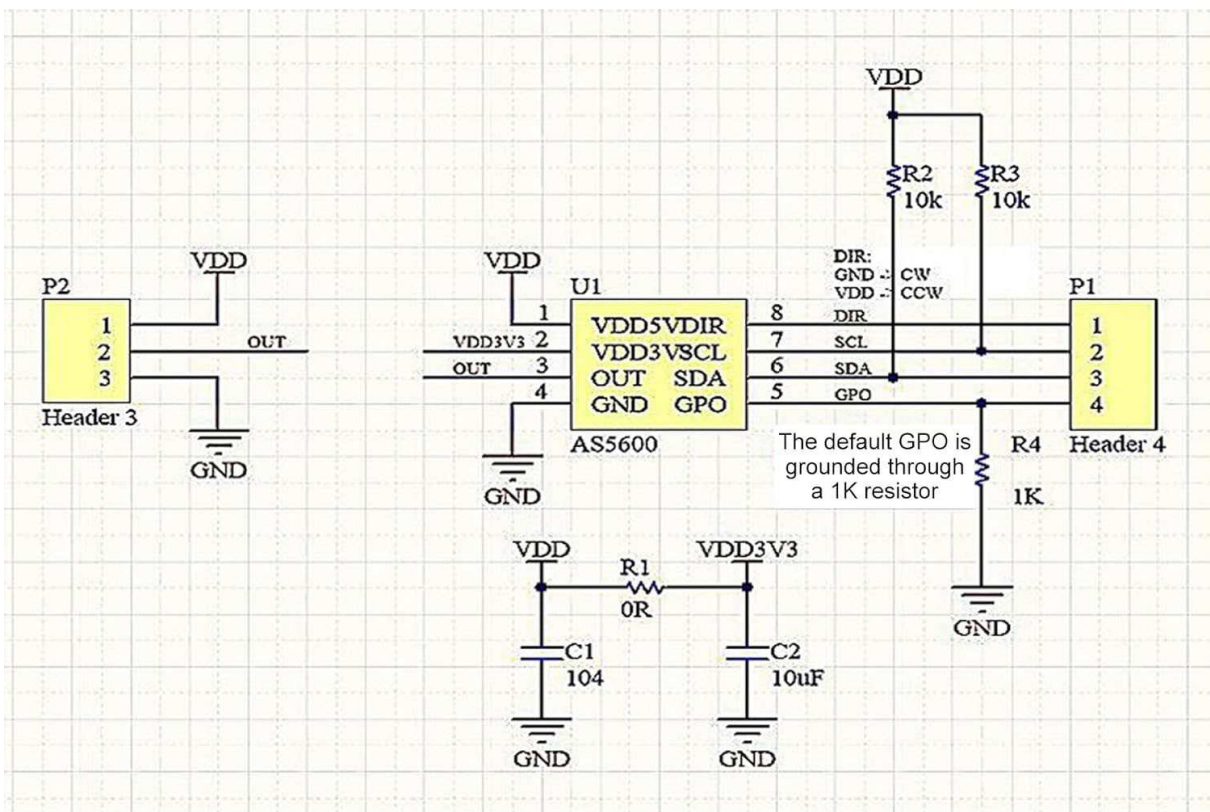
elektronikai alkatrész áruház

EN: This Datasheet is presented by the manufacturer.

Please visit our website for pricing and availability at www.hestore.hu.



Schematic Diagram



This module is mainly placed behind the stepper motor to obtain the rotation angle of the stepper motor

The principle is to use the AS5600 magnetic encoding, and then stick a magnet on the spindle of the stepping motor, and obtain information such as the rotation speed of the spindle through the magnetic encoding.