



HESTORE.HU

elektronikai alkatrész áruház

EN: This Datasheet is presented by the manufacturer.

Please visit our website for pricing and availability at www.hestore.hu.



Addressable LED Neon strip



Product Description

Addressable RGB mini LED Neon flex with side emitting

Silicon material with uniform light distribution without

light dot Cutting unit is 31.25mm and minimum bending

diameter is 60mm



SMD 2835 RGB LED chip with Micro IC built in,

individually control High UV & salt spray corrosion

resistance IP65 for outdoor 3m per reel,



Product Datasheet

Product Number	N006096BA3SF
LED Type	SMD2835 RGB
Material	Silicon
Luminance/M	R: 20 G: 53 B: 8
LED Quantity	96 leds/m
CCT	RGB
Pixel/M	96Pixels-SPI
Operating Voltage	DC5V
Power (W)	19W (avg)
Dimension	3000*6*12 MM
IP	IP65
Net Weight	0.5kg/roll (3m)
Operation Temperature	- 40 ~ 50 °C

Application



Hotels, restaurants, nights clubs.

Advertising signs, brightening.

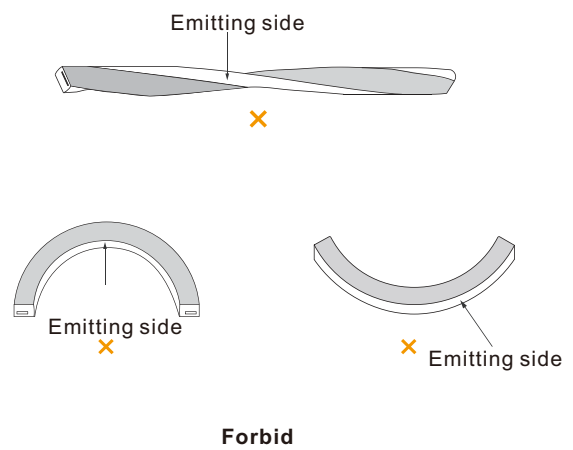
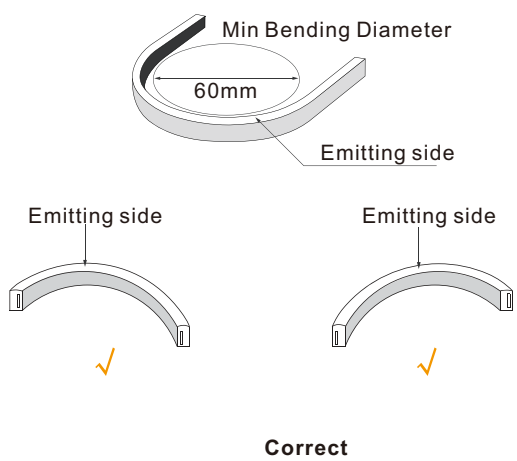


Back lighting, edge lighting.

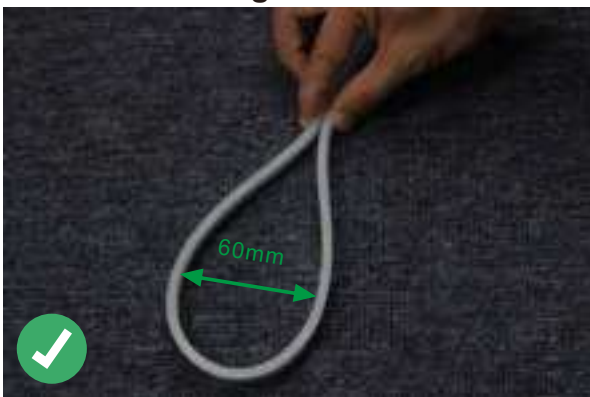
Dancefloor background.



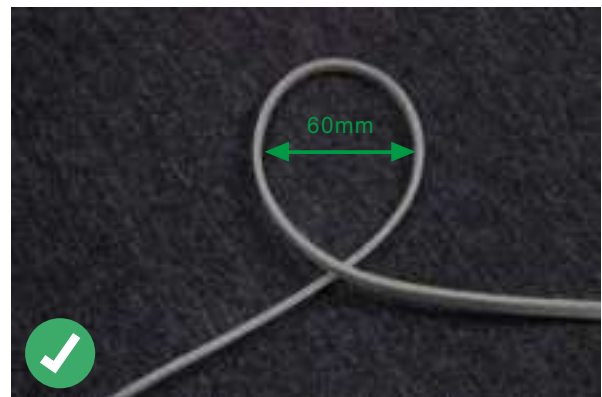
Correct bending way



Correct bending



Face to the lighting surface and fold the strip.
The minimum bending diameter is 80mm



Lighting surface upwards and the strip can be bent to right or left naturally, The minimum bending diameter is 100mm

Incorrect bending way



Face to the side surface (as the picture shows),
Do not bend it downward to damage the strip.



(as the picture shows) please do not twist the strip,
or it will be damaged



Installation



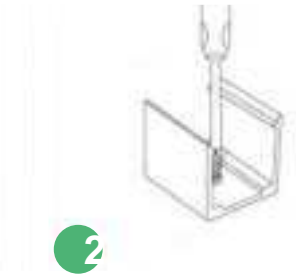
clips
50x8x13mm(LxWxH)



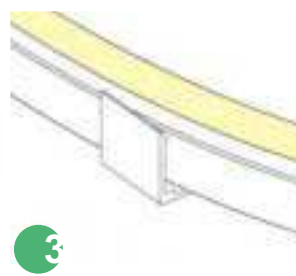
profile
1000x8x13mm(LxWxH)



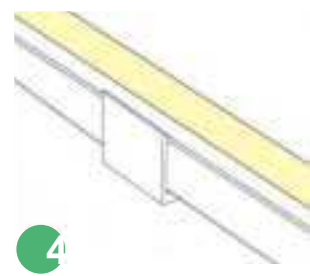
1



2



3

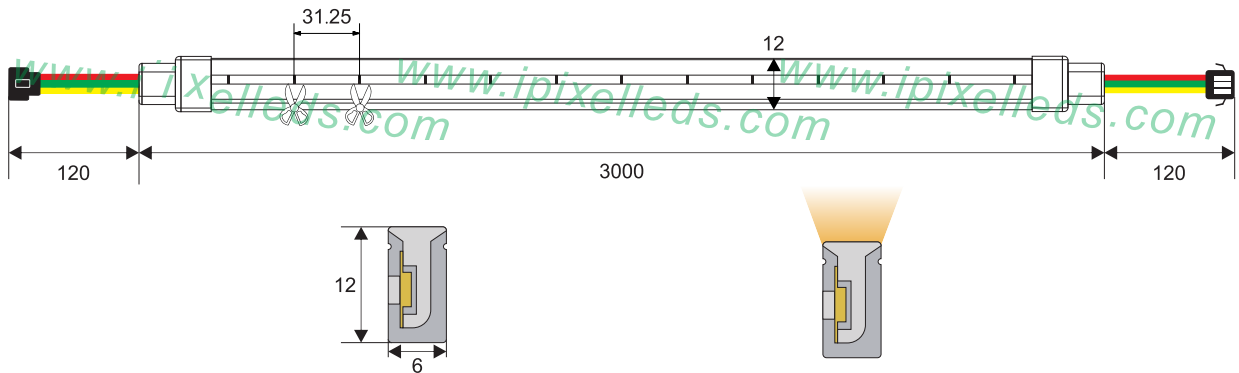


4

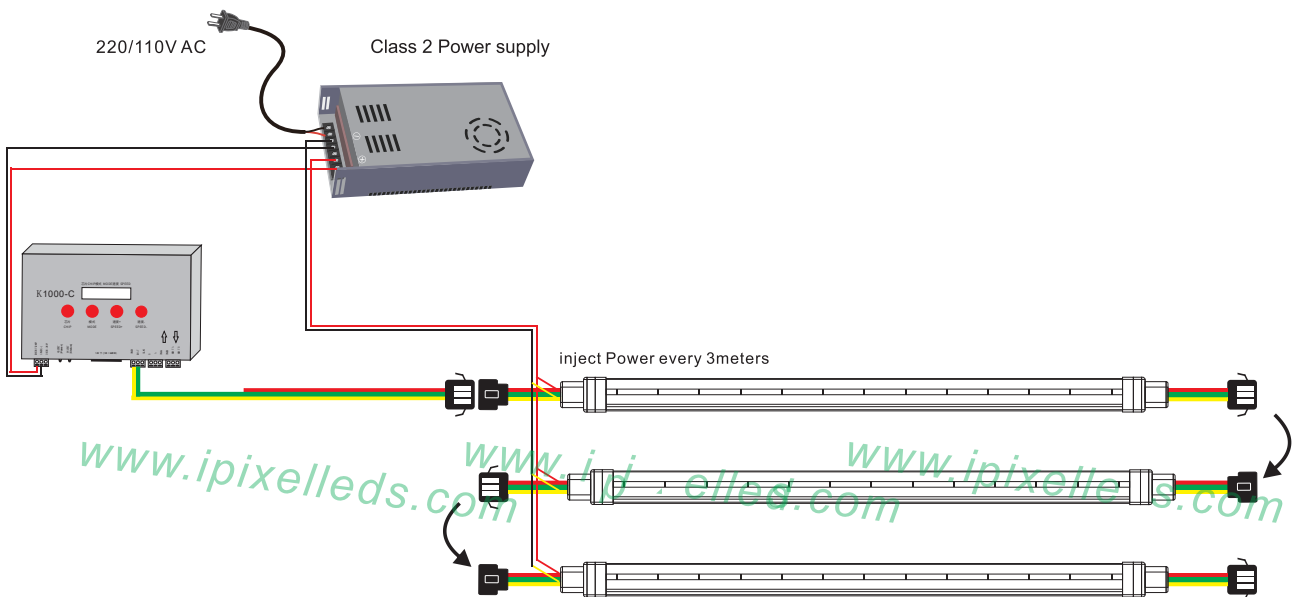


Outline Dimension

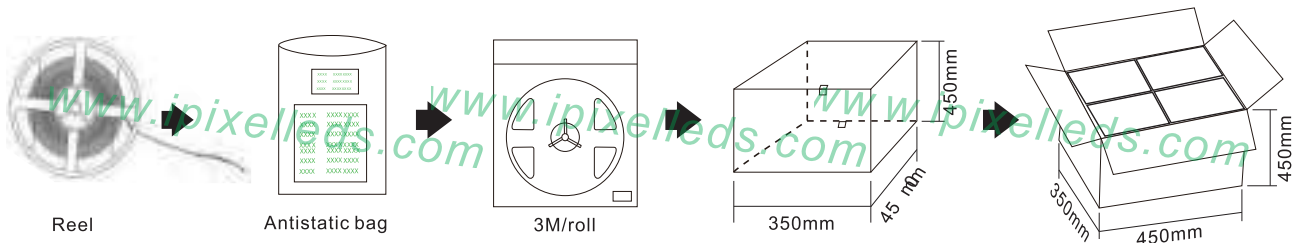
(unit:mm)



Connection



Product packaging



Product number	Standard length	Quantity / volume	outer carton size	Weight(kg)/reel
N006096YA3SF	3M	240 Reels	L450xW350xH450mm	0.5kg
/				/
/				/
/				/
/				/
/				/