



HESTORE.HU

elektronikai alkatrész áruház

EN: This Datasheet is presented by the manufacturer.

Please visit our website for pricing and availability at www.hestore.hu.

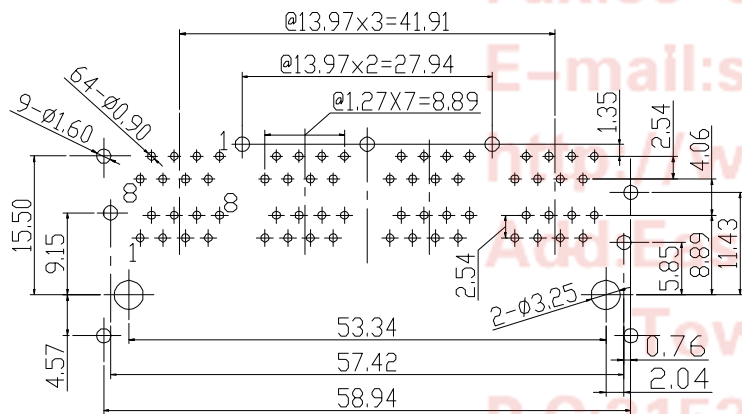
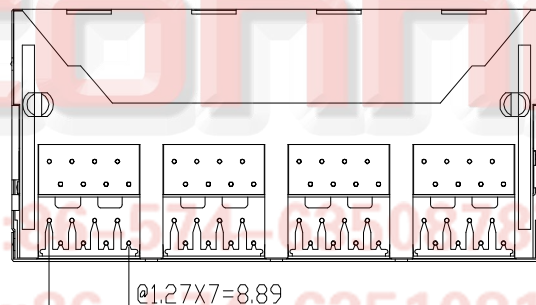
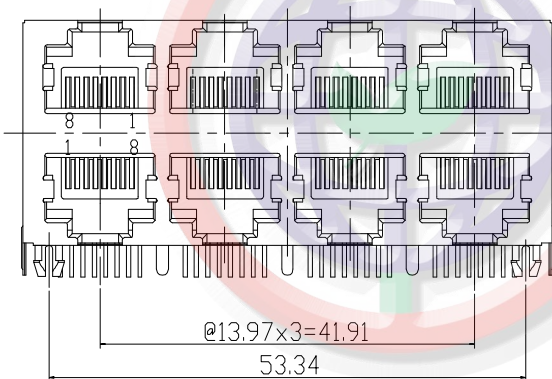
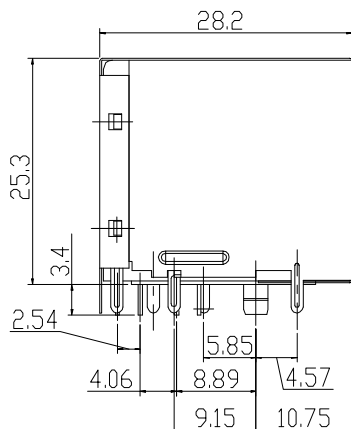
REV.	DESCRIPTION	DRAWN	CHECKED	APPROVED
A	NEW RELEASE	LL 03/26/06'		LJC 03/26/06'
B	DRAWING UPDATE	JLZ 04/27/17'		

SPECIFICATION

1. Insulation Resistance:1000MΩ Min.
2. Withstand Voltage:500V AC/Minute.
3. Durability:600 Cycles Min.
4. Operating Temperature:-40°C+85°C
5. Product Number Code:

DS1131-X X X X X

- Housing Materials
P:PBT
N:NYLON
- Housing Color
B:Black
- Contact Plating
0:Gold Flash
3:Selective 3u" Gold Flash
(6;15;30)Micro Inch
- No.Of Contacts
4:8p4c 6:8p6c 8:8p8c
- Connector Type
S:Socket
- Series No.
DS1131



GENERAL TOLERANCE		ANGLE TOLERANCE	
X.	±0.60	X.	±5°
.X	±0.38	.X	±3°
.XX	±0.25	.XX	±2°

PROJECTION		TITLE
UNITS	mm	PCB JACK DUAL 8P
SHEET SIZE	A4	SERIES DS1131 SERIES

DRAWING TYPE	CUSTOMER		
SCALE	1:1	SHEET	1 OF 1
DRAWING NO.	C-DS1131-XXXXX-B		

晨翔电子有限公司
CONNFLY CONNFLY ELECTRONIC CO. LTD

Tel: 86-574-63510817
 Fax: 86-574-63510817
 E-mail: sale@connfly.com
 http://www.connfly.com
 Add: Export Industry Zone KuangYan
 Town Cixi Ningbo C
 P.C: 315333