



HESTORE.HU

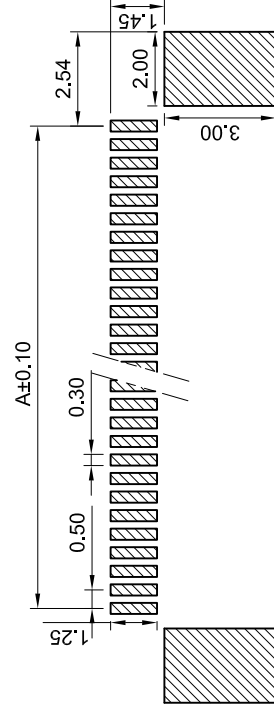
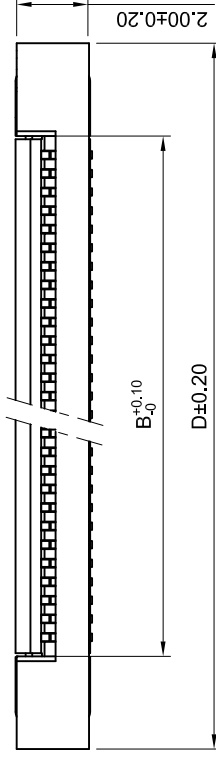
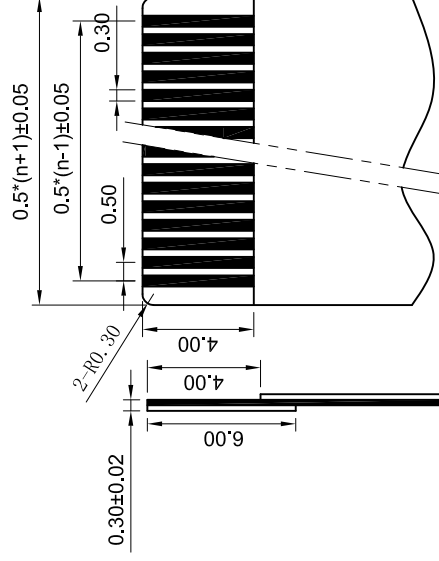
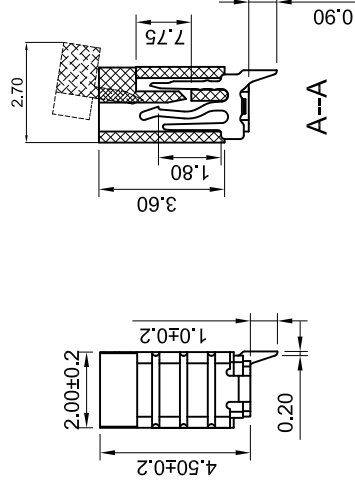
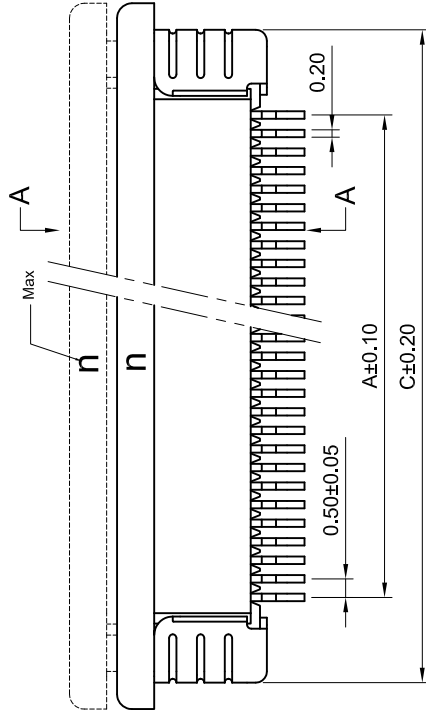
elektronikai alkatrész áruház

EN: This Datasheet is presented by the manufacturer.

Please visit our website for pricing and availability at www.hestore.hu.

24 PINS 0.5 Pitch SMD Horizontal Type Top Contact

Ver	Date	Description
1.0	July-26-2012	Preliminary Release



Pin Num	A	B	C	D
24	11.50	12.60	16.35	17.65

Material:

- 1、Housing: NYlon46 UL94V-0 Grey;
- 2、Loeaker: PPS UL94V-0;
- 3、Contact:Phosphor bronze,tin/lead-plated;
- 4、Solder tab:Phosphor bronze,tin/lead-plated.

Specification:

- 1、Unverified Tolerance should comply with SJ1372-79;
- 2、Temperature Range: -25°C~85°C;
- 3、Rated Voltage: 50V, AC, DC;
- 4、Contact Resistance: $\leq 0.03 \Omega$;
- 5、Insulation Resistance: $\geq 500M \Omega$;
- 6、Withstand Voltage: 500V, AC/minute.



旭日东方科技有限公司

EastRising Technology Co.,Ltd.
TEL: +86-755-33503873 FAX: +86-755-33507642-801
www.lcd-china.com



CD

UNIT: MM SIZE: A4

SHEET: 1 OF 1

Part Number for Order: ER-CON24HT-1

DRAWN BY : Jim

CHECKED BY: Tony

APPROVED BY : Liu