

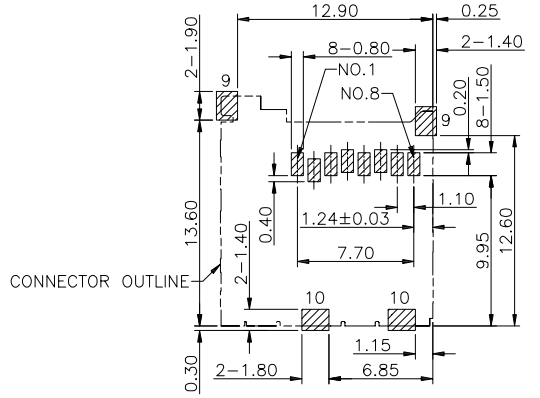
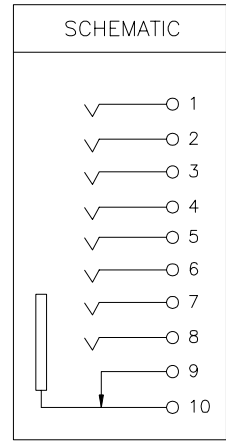
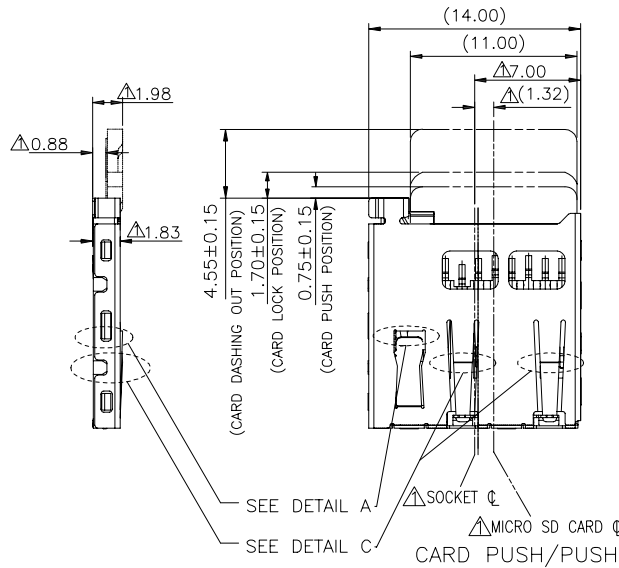
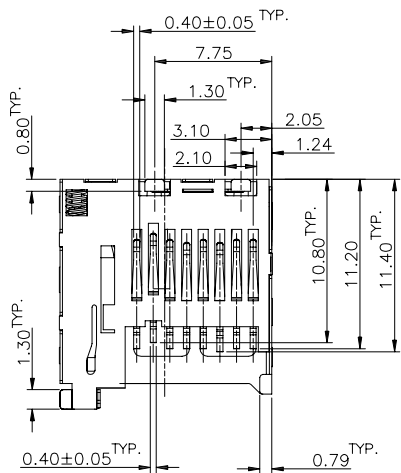


**HESTORE.HU**

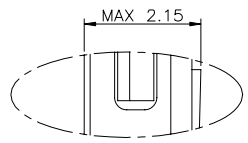
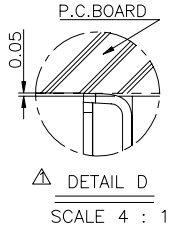
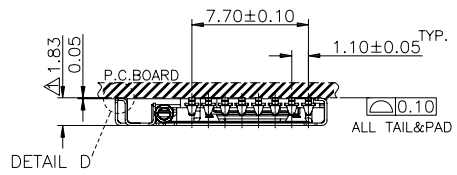
elektronikai alkatrész áruház

**EN:** This Datasheet is presented by the manufacturer.

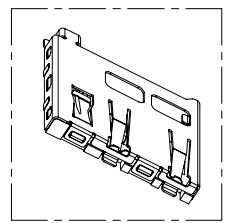
Please visit our website for pricing and availability at [www.hestore.hu](http://www.hestore.hu).



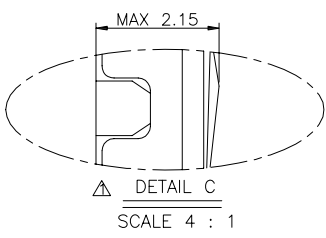
△ RECOMMENDED PCB PATTERN LAYOUT TOLERANCE: ±0.05



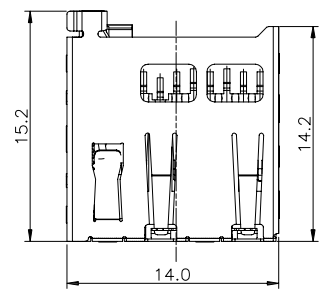
DETAIL A  
SCALE 4 : 1  
CARD PUSH POSITION



3D VIEWS



DETAIL C  
SCALE 4 : 1



RELATION OF SWITCHES TO MICRO SD(TRANS FLASH) CARD ATTACHMENT CONDITION

CARD ATTACHMENT CONDITION	CARD DETECT SWITCH	SITUATION DEPICTION
CARD NOT ATTACHED	CLOSED	9&10 SHORT
CARD ATTACHED	OPEN	9&10 OPEN

Pin No.	Name	Type	DESCRIPTION
1	DAT2	I/O/PP	Data Line [bit2]
2	CD/DAT3	I/O/PP	Card Detect Data Line [bit3]
3	CMD	PP	Command Response
4	VDD	S	Supply Voltage
5	CLK	I	Clock
6	VSS	S	Supply Voltage Ground
7	DAT0	I/O/PP	Data Line [bit0]
8	DAT1	I/O/PP	Data Line [bit1]

- MATERIAL :  
INSULATOR:HIGH TEMPERATURE THERMOPLASTIC. UL94V-0.  
CONTACT:COPPER ALLOY.  
SHELL:STAINLESS STEEL.  
DETECT PIN:COPPER ALLOY.  
COIL SPRING: STAINLESS STEEL.  
CRANK AXLE:STAINLESS STEEL.  
SLIDE:HIGH TEMPERATURE THERMOPLASTIC. UL94V-0.  
LOCK PIN:STAINLESS STEEL.
- PLATING :  
CONTACT: Selective Gold 5u" and 15u"  
DETECT PIN: 1u" min. Au PLATED  
SHELL: 5u" min. Au IN SOLDER TAIL AREA.
- ELECTRIACL CHARACTERISTIC:  
CONNECT RESISTANCE:40 MILLIONMS/PIN Max.  
INSULATION RESISTANCE:1000 MEGAOHMS Min.  
VOLTAGE WITHSTAND:500V AC for 1minute
- MECHANICAL CHARACTERISTIC:  
CONTACT MATING FORCE:3Kgf Max.  
CONTACT UNMATING FORCE:100gf Min.  
CYCLE LIFE:10000 TIMES

GENERAL TOLERANCE ± 0.25 mm	GENERAL ANGLE TOLERANCE ±3°
SCALE: AS SHOWN	UNIT: mm
DRAWN Terry	06/06/05
CHECKED	/ /
APPROVED	/ /
SIZE A4	REV. C

**Attend**  
ATTEND TECHNOLOGY INC.  
WWW.ATTEND.COM.TW  
TEL:886-2-26987028 FAX:886-2-26987078

DRAWN NAME:  
Micro SD Socket Push-Push type

PRODUCT NO. 112A-TAA0-R01  
FILE NAME: 112A-TAA0-R01

REV.	DESCRIPTION	DATE
1		