



HESTORE.HU

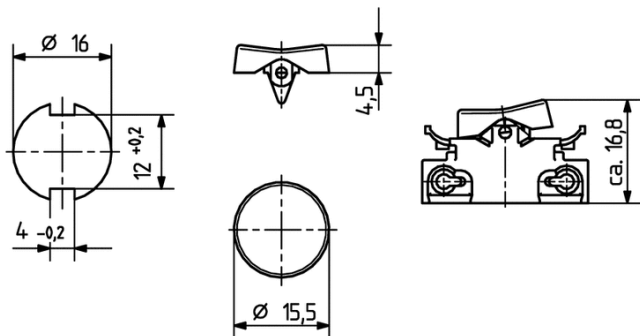
elektronikai alkatrész áruház

EN: This Datasheet is presented by the manufacturer.

Please visit our website for pricing and availability at www.hestore.hu.

Round rocker

43.409.-007.50



0,5 - 1,0

Round rocker

43.409.-007.50



DESCRIPTION

- Housings and rockers can be supplied assembled upon request.
- Rocker also suitable for switch 43.409

Country of origin:	DE
Product name:	Round rocker
Packaging type:	Bag
Packaging quantity:	1000.000
Material:	PA
Material thickness:	0.5-1.0
Switch - Components:	Round rockers
Color:	white, black
Weight:	1
Pkg.:	1000