



**HESTORE.HU**

elektronikai alkatrész áruház

**EN:** This Datasheet is presented by the manufacturer.

Please visit our website for pricing and availability at [www.hestore.hu](http://www.hestore.hu).

# POLAM-ELTA Sp. z o.o.

LED DIODES  
LED CONTROL LAMPS

[www.polamelta.com](http://www.polamelta.com)

e-mail: [polamelta@polamelta.com.pl](mailto:polamelta@polamelta.com.pl)

Jerozolimskie Avenue 202  
02-486 Warsaw, POLAND  
tel. (+48) 22-837-22-07  
fax (+48) 22-207-24-28



## COMPLIANCE DECLARATION NR 06/07/2018

**Producer:** POLAM-ELTA Sp. z o.o.  
Jerozolimskie Avenue 202  
02-486 Warsaw

**KRS Nr:** 0000190790  
**REGON:** 001416903

We declare with a full responsibility that **LED signal lamps BA9S** we manufacture:

**LB , LG , LO , LR , LY , LW** (parameters in accordance with catalogue data) comply requirements imposed by:

- 1. Low Voltage Directive** **LVD 2014/35/UE**
- 2. Directive on the essential requirements for the restriction of the use of certain hazardous substances in electrical and electronic equipment** **ROHS 2011/65/UE**
- 3. The standard norms (relating to the particular parts of a product):**
  - PN EN 612 36:2002 Works under voltage – bipolar indexes Nn
  - PN-80/E-85050 miniature light bulbs of general use
  - PN-EN 983:2000 miniature light bulbs

**The year of obtaining CE sign: 07**

Warszawa 09-07-2018

.....  
*Place and date of issue*

**PREZES ZARZĄDU**

*Ireneusz Tonder*

.....  
*Name, position and signature of authorized person*

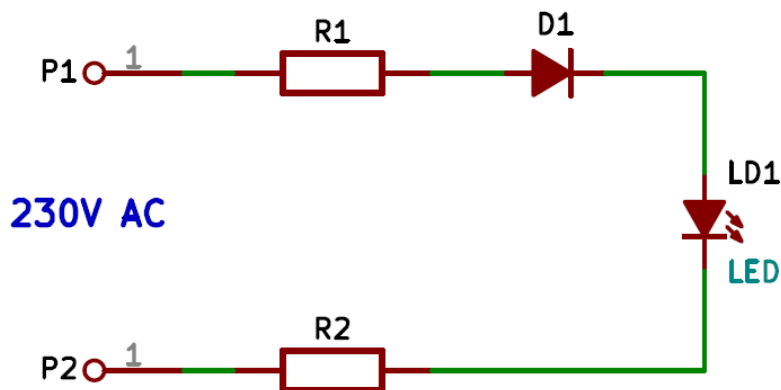
## 1. Product description:

The declaration is concerned about LED signal lamps produced for a number of voltage ranging 24V-AC - 400V-AC (24V; 30V; 48V; 60V; 110-130V; 230V; 400V) and 24V-DC – 220V-DC (24V; 30V; 48V; 60V; 110-130V; 220V). The lamps are designed for electric accessories use.

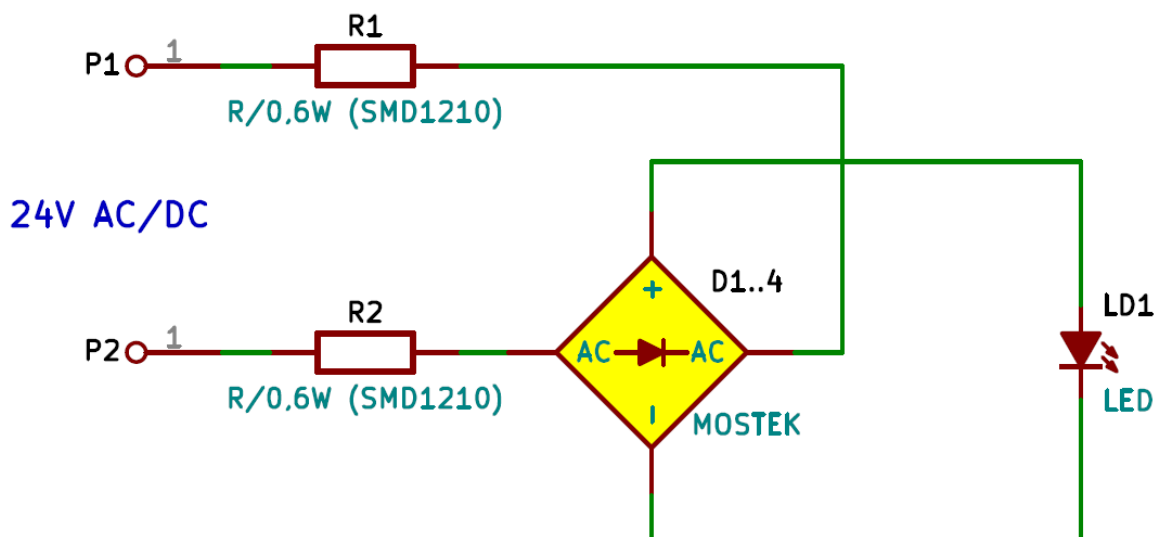
## 2. Technological documentation:

All the signal LED lamps are based on the following circuitry

**Half-wave rectifier (version for 220V-DC, 230V-AC all colors and 24V-AC/DC only white)**

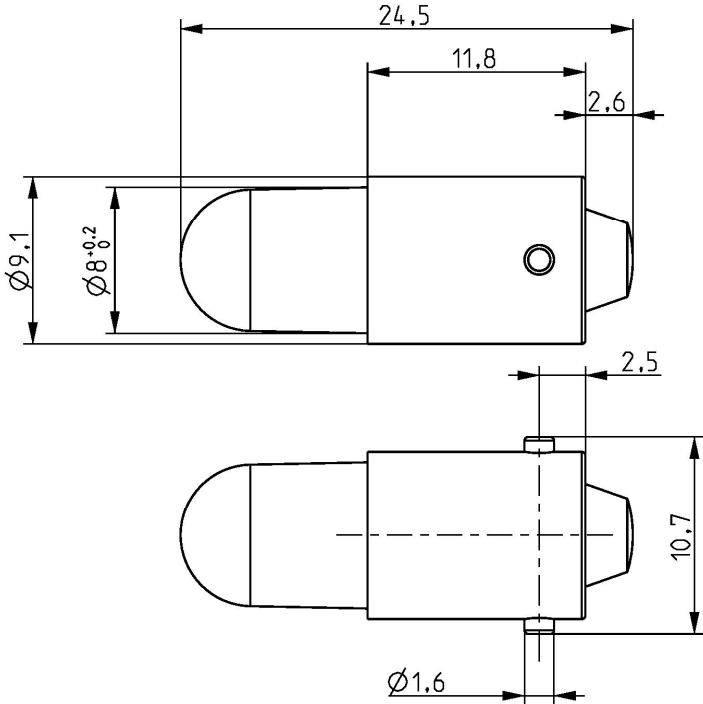


**Full-wave rectifier (version for 12V-AC/DC all colors and 24V-AC/DC all colors except white)**



For 230 V-AC voltage, power consumption is 0,8 W, for 24V-AC, it is 0,25 W and for 24V-DC, it is 0,5 W.

- signal lamp BA9S



## LED CONTROL LAMPS BA9S



### Technical parameters of lamps (24V-AC/DC)

color	luminosity AC (mcd)	luminosity DC (mcd)	wave length (nm)	power AC/DC
red [R] mat	700-800	1000-1500	630	0,25 / 0,5 W
green [G] mat	800-1000	2200-2400	530	0,25 / 0,5 W
yellow [Y] mat	800-1000	1100-1250	590	0,25 / 0,5 W
orange [O] mat	600-800	650-750	610	0,25 / 0,5 W
blue [B] mat	300-400	750-850	470	0,25 / 0,5 W
white [W] mat	2000-2500	4000-5000	4500 K	0,25 / 0,5 W

### Technical parameters of lamps (230V-AC)

color	luminosity (mcd)	wave length (nm)	power
red [R] mat	200-250	630	0,8 W
green [G] mat	400-500	530	0,8 W
yellow [Y] mat	250-300	590	0,8 W
orange [O] mat	150-170	610	0,8 W
blue [B] mat	90-100	470	0,8 W
white [W] mat	1100-1600	3000 K	0,8 W