



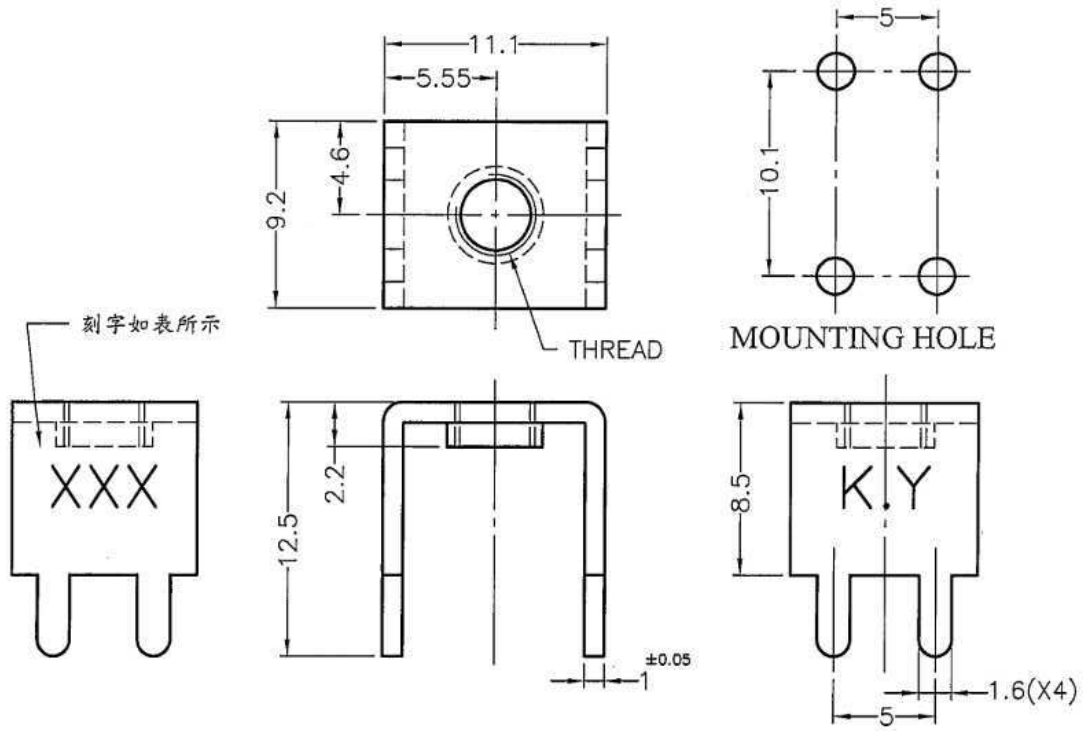
**HESTORE.HU**

elektronikai alkatrész áruház

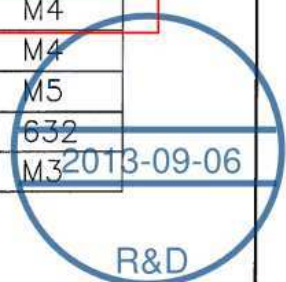
**EN:** This Datasheet is presented by the manufacturer.

Please visit our website for pricing and availability at [www.hestore.hu](http://www.hestore.hu).

REVISIONS			
REV	DESCRIPTION	DATE	BY



PART NO.	THREAD	MATERIAL	FINISH	刻字
PCB-7	M3x0.5	BRASS	TIN PLATED	M3
PCB-7R	M3x0.5	RED COPPER	TIN PLATED	M3
PCB-7(M4)	M4x0.7	BRASS	TIN PLATED	M4
PCB-7R(M4)	M4x0.7	RED COPPER	TIN PLATED	M4
PCB-7(M5)	M5x0.8	BRASS	TIN PLATED	M5
PCB-7(632)	#6-32	BRASS	TIN PLATED	632
PCB-7NI	M3x0.5	BRASS	NICKEL PLATED	M3



PART NUMBER <b>SEE ABOVE</b>				DRAWING NUMBER <b>PCB-7</b>		TITLE			
						MATERIAL SEE ABOVE		DATE 2001.03.23	
						FINISH SEE ABOVE		DRAWN	
SIZE A4		SCALE 3:1		UNIT mm		CHECK			
REV C		UNLESS OTHERWISE SPECIFIED TOLERANCE $\pm 0.2$				APPROVED <i>Kang</i>			