



HESTORE.HU

elektronikai alkatrész áruház

EN: This Datasheet is presented by the manufacturer.

Please visit our website for pricing and availability at www.hestore.hu.

REVISION RECORD

REV	ECN	DESCRIPTION	DRFT	DATE
-----	-----	-------------	------	------

NOTES1:

UL Standard

1. Rated voltage/current : 300V / 8A
2. Withstanding voltage : AC1600V/1Min.
3. Wire range : 22~16AWG

IEC Standard

1. Pollution degree	3	2	2
Overvoltage category	III	III	II
Rate impulse voltage(KV)	4.0KV	4.0KV	4.0KV
Rate voltage(V)	320V	320V	630V
Rate current(A)	10A		

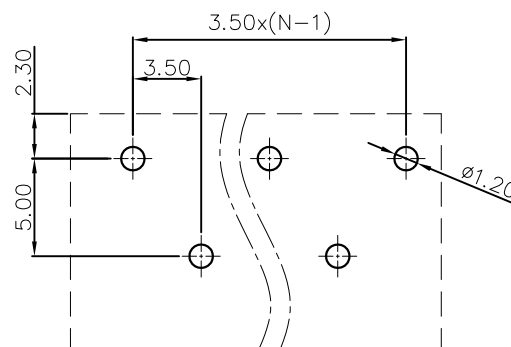
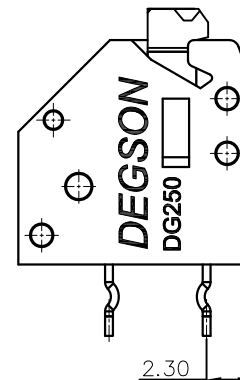
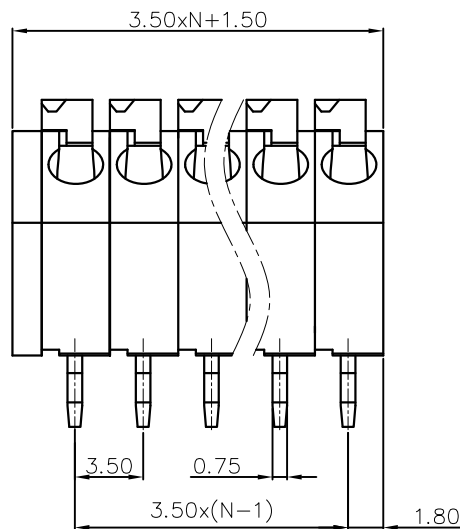
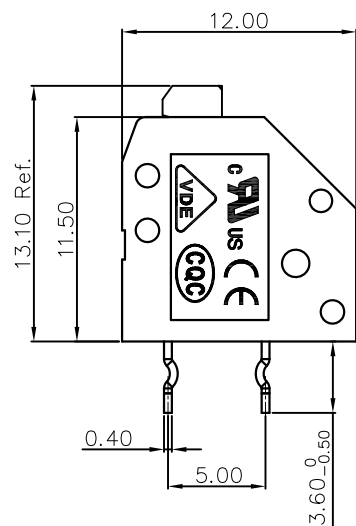
2. Wire range : 0.2~1.5mm²

NOTES2:

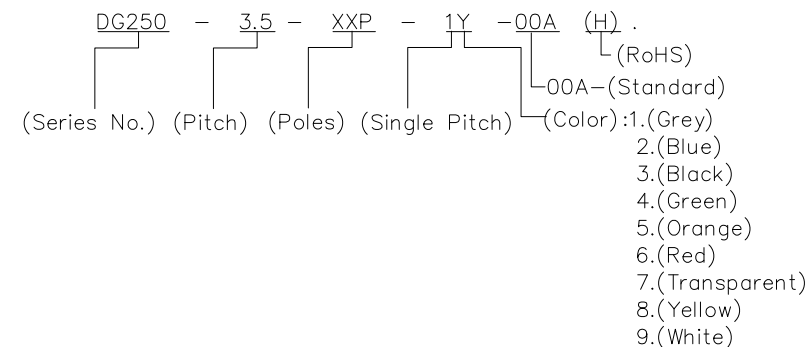
1. Dimension shall be interpreted per ASME Y14.5-2009
2. Pitch : 3.50mm, Poles : N=01~XXP
3. Stripping length : 8.5~9.5mm
4. Environment temperature: -40°C~+105°C
5. Undimensioned tolerances:

Pitch range in mm		Nominal dimension range in mm						-	∩	∇
TO	Over TO	Over TO	TO	Over TO	Over TO	Over TO	0.1/10			
6	6 TO 10	10 TO 24	30	30 TO 60	60 TO 100	100 TO 150	<			
±0.15	±0.20	±0.30	±0.30	±0.50	±0.70	±1.00	±1.30	±2'		

6. RoHS Compliance



PCB LAYOUT



DETACHED LISTS	PART NO.:	/		
	APPD:	/		
	CHKD:	/		
	DRFT:	/		
<p>THIRD ANGLE PROJECTION</p>		<p>MM (INCH)</p>		<p>DO NOT SCALE DRAWING</p>
<p>NINGBO DEGSON ELECTRICAL CO., LTD</p>		<p>NAME: DG250-3.5-XXP-1Y-00A(H).</p>		<p>TITLE: CUSTOMER DRAWING</p>
<p>DRAWING NO.: /</p>		<p>REV</p>	<p>DO</p>	<p>SHEET 1/1</p>
<p>SCALE 1:1</p>				