



HESTORE.HU

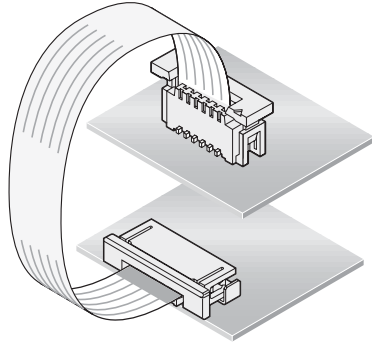
elektronikai alkatrész áruház

EN: This Datasheet is presented by the manufacturer.

Please visit our website for pricing and availability at www.hestore.hu.

1.00mm (.039") Pitch Premo-Flex™ Flat Flex Cable Jumpers

98267
Standard



Molex introduces a complete line of 1.00mm (.039") pitch Flat Flex Cable jumpers. These jumpers are used to connect 2 PC boards and terminate to either ZIF or Non-ZIF FFC connectors.

Molex 1.00mm (.020") Flat Flex Cable jumpers are available in a wide variety of lengths and circuit sizes. These standard lengths are easy to order and feature shorter lead times.

We are also able to offer customized lengths and circuit sizes.

Reference Information

Product Specification: PS-98267-001
Packaging: Box
UL Style No.: 20706
Mates With: Any 1.00mm (.039") Pitch Molex FFC/FPC connector
Designed In: Millimeters

Electrical
Voltage: 60V
Current: 1.2A

Physical
Strip Length: 4.0mm (.157")
Reinforcement Length: 8.0mm (.315")
Width: (N + 1) 1.00mm
Span: (N - 1) 1.00mm
Margin: 0.65mm (.014")
Conductor Width: 0.70mm (.012")
Conductor Thickness: 0.10mm (.004")
End Thickness: 0.30 ± 0.05mm (.012 ± .002")
Temperature: -40 to +105°C

Type A Jumpers—Contacts on same side (Preferred version in Europe)

Circuits	Order No.											Lead-free
	Overall Length											
	30mm (1.181")	51mm (2.00")	76mm (3.00")	102mm (4.00")	127mm (5.00")	152mm (6.00")	178mm (7.00")	203mm (8.00")	229mm (9.00")	254mm (10.00")	305mm (12.00")	
4	98267-0701	98267-0703	98267-0705	98267-0707	98267-0709	98267-0711	98267-0713	98267-0715	98267-0717	98267-0719	98267-0721	
5	98267-0723	98267-0725	98267-0727	98267-0729	98267-0731	98267-0733	98267-0735	98267-0737	98267-0739	98267-0741	98267-0743	
6	98267-0201	98267-0203	98267-0205	98267-0207	98267-0209	98267-0211	98267-0213	98267-0215	98267-0217	98267-0219	98267-0221	
7	98267-0745	98267-0747	98267-0749	98267-0751	98267-0753	98267-0755	98267-0757	98267-0759	98267-0761	98267-0763	98267-0765	
8	98267-0223	98267-0225	98267-0227	98267-0229	98267-0231	98267-0233	98267-0235	98267-0237	98267-0239	98267-0241	98267-0243	
9	98267-0767	98267-0769	98267-0771	98267-0773	98267-0775	98267-0777	98267-0779	98267-0781	98267-0783	98267-0785	98267-0787	
10	98267-0245	98267-0247	98267-0249	98267-0251	98267-0253	98267-0255	98267-0257	98267-0259	98267-0261	98267-0263	98267-0265	
11	98267-0789	98267-0791	98267-0793	98267-0795	98267-0797	98267-0799	98267-0801	98267-0803	98267-0805	98267-0807	98267-0809	
12	98267-0267	98267-0269	98267-0271	98267-0273	98267-0275	98267-0277	98267-0279	98267-0281	98267-0283	98267-0285	98267-0287	
13	98267-0811	98267-0813	98267-0815	98267-0817	98267-0819	98267-0821	98267-0823	98267-0825	98267-0827	98267-0829	98267-0831	
14	98267-0289	98267-0291	98267-0293	98267-0295	98267-0297	98267-0299	98267-0301	98267-0303	98267-0305	98267-0307	98267-0309	
15	98267-0833	98267-0835	98267-0837	98267-0839	98267-0841	98267-0843	98267-0845	98267-0847	98267-0849	98267-0851	98267-0853	
16	98267-0311	98267-0313	98267-0315	98267-0317	98267-0319	98267-0321	98267-0323	98267-0325	98267-0327	98267-0329	98267-0331	
17	98267-0855	98267-0857	98267-0859	98267-0861	98267-0863	98267-0865	98267-0867	98267-0869	98267-0871	98267-0873	98267-0875	
18	98267-0333	98267-0335	98267-0337	98267-0339	98267-0341	98267-0343	98267-0345	98267-0347	98267-0349	98267-0351	98267-0353	
19	98267-0877	98267-0879	98267-0881	98267-0883	98267-0885	98267-0887	98267-0889	98267-0891	98267-0893	98267-0895	98267-0897	
20	98267-0355	98267-0357	98267-0359	98267-0361	98267-0363	98267-0365	98267-0367	98267-0369	98267-0371	98267-0373	98267-0375	
21	98267-0899	98267-0901	98267-0903	98267-0905	98267-0907	98267-0909	98267-0911	98267-0913	98267-0915	98267-0917	98267-0919	
22	98267-0377	98267-0379	98267-0381	98267-0383	98267-0385	98267-0387	98267-0389	98267-0391	98267-0393	98267-0395	98267-0397	Yes
23	98267-0921	98267-0923	98267-0925	98267-0927	98267-0929	98267-0931	98267-0933	98267-0935	98267-0937	98267-0939	98267-0941	
24	98267-0399	98267-0401	98267-0403	98267-0405	98267-0407	98267-0409	98267-0411	98267-0413	98267-0415	98267-0417	98267-0419	
25	98267-0943	98267-0945	98267-0947	98267-0949	98267-0951	98267-0953	98267-0955	98267-0957	98267-0959	98267-0961	98267-0963	
26	98267-0421	98267-0423	98267-0425	98267-0427	98267-0429	98267-0431	98267-0433	98267-0435	98267-0437	98267-0439	98267-0441	
27	98267-0965	98267-0967	98267-0969	98267-0971	98267-0973	98267-0975	98267-0977	98267-0979	98267-0981	98267-0983	98267-0985	
28	98267-0443	98267-0445	98267-0447	98267-0449	98267-0451	98267-0453	98267-0455	98267-0457	98267-0459	98267-0461	98267-0463	
29	98267-0987	98267-0989	98267-0991	98267-0993	98267-0995	98267-0997	98267-0999	98267-1001	98267-1003	98267-1005	98267-1007	
30	98267-0465	98267-0467	98267-0469	98267-0471	98267-0473	98267-0475	98267-0477	98267-0479	98267-0481	98267-0483	98267-0485	
31	98267-1009	98267-1011	98267-1013	98267-1015	98267-1017	98267-1019	98267-1021	98267-1023	98267-1025	98267-1027	98267-1029	
32	98267-0487	98267-0489	98267-0491	98267-0493	98267-0495	98267-0497	98267-0499	98267-0501	98267-0503	98267-0505	98267-0507	
33	98267-1031	98267-1033	98267-1035	98267-1037	98267-1039	98267-1041	98267-1043	98267-1045	98267-1047	98267-1049	98267-1051	
34	98267-0509	98267-0511	98267-0513	98267-0515	98267-0517	98267-0519	98267-0521	98267-0523	98267-0525	98267-0527	98267-0529	
35	98267-1053	98267-1055	98267-1057	98267-1059	98267-1061	98267-1063	98267-1065	98267-1067	98267-1069	98267-1071	98267-1073	
36	98267-0531	98267-0533	98267-0535	98267-0537	98267-0539	98267-0541	98267-0543	98267-0545	98267-0547	98267-0549	98267-0551	
37	98267-1075	98267-1077	98267-1079	98267-1081	98267-1083	98267-1085	98267-1087	98267-1089	98267-1091	98267-1093	98267-1095	
38	98267-0553	98267-0555	98267-0557	98267-0559	98267-0561	98267-0563	98267-0565	98267-0567	98267-0569	98267-0571	98267-0573	
39	98267-1097	98267-1099	98267-1101	98267-1103	98267-1105	98267-1107	98267-1109	98267-1111	98267-1113	98267-1115	98267-1117	
40	98267-0575	98267-0577	98267-0579	98267-0581	98267-0583	98267-0585	98267-0587	98267-0589	98267-0591	98267-0593	98267-0595	