

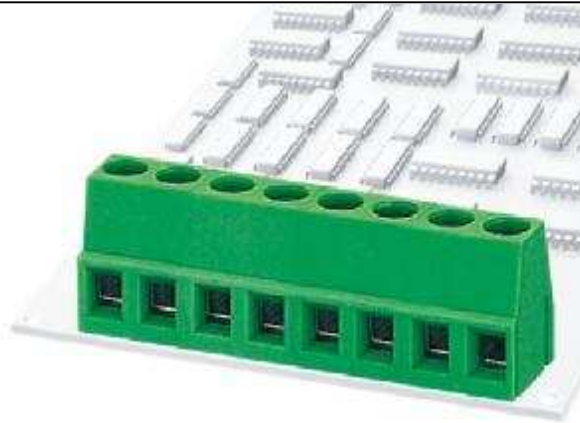


HESTORE.HU

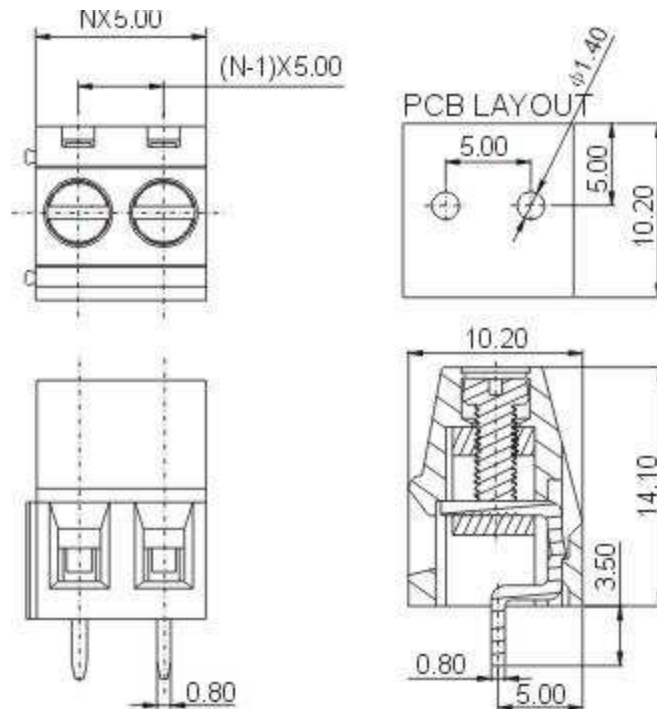
elektronikai alkatrész áruház

EN: This Datasheet is presented by the manufacturer.

Please visit our website for pricing and availability at www.hestore.hu.



DG128-5.0



APPROVAL Electrical

Standard	UL	IEC
Rated voltage	300V	250V
Rated current	15A	18A
Wire range	24-12AWG	2.5mm ²
Withstanding voltage	AC2000V/1Min	

Mechanical

Torque	0.4Nm(3.5Lb-In)	
Ambient temperature	-40°C~+105 °C	
Strip length	7mm	

Dimensions

pitch	5.0mm(.197")	
Poles	2P,3P-24P	

Material

Housing	PA66,UL94V-0	
Screws	M2.5,Steel, Cr ³⁺ Znplated	
Pin header	Brass,Tin-plated	
Cage	Brass,Ni-plated	

HOW TO ORDER :

- **P** - -

X	X	X
Customer Request		

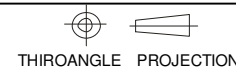
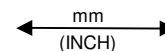
Series number

No. of pole

1	Single pitch
2	Double pitch

Color

1 Grey	4 Green	7 Trans Parent
2 Blue	5 Orange	8 Yellow
3 Black	6 Red	9 White



DEGSON ELECTRONICS CO., LTD.

NAME

DG128-5.0