

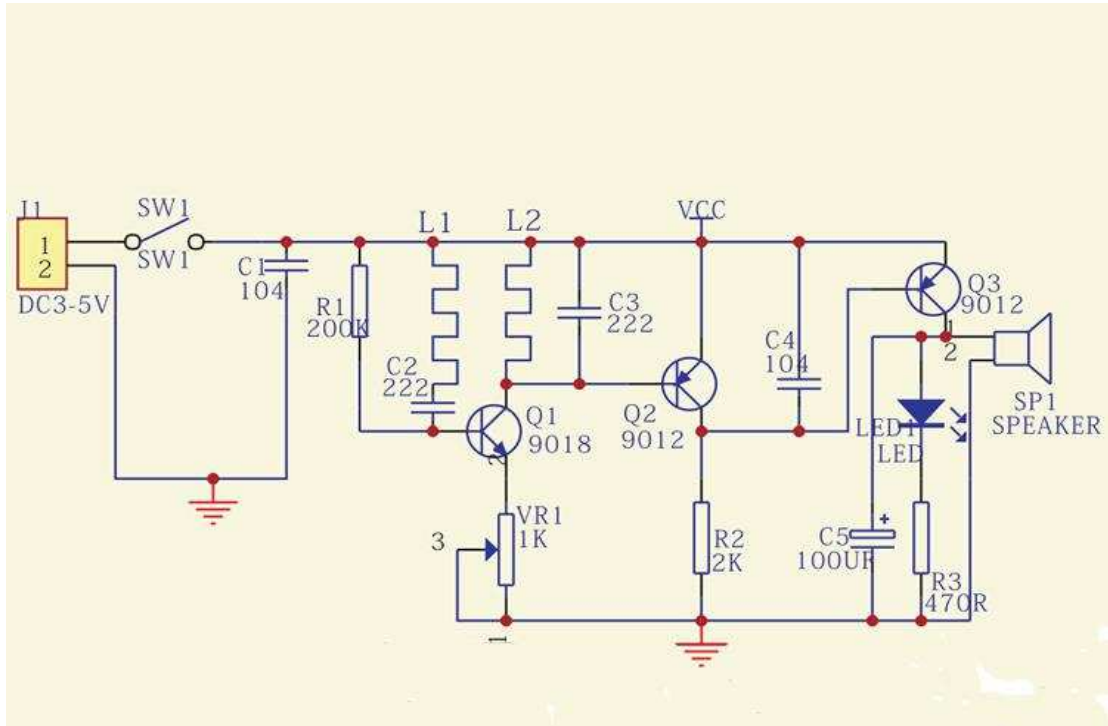


**HESTORE.HU**

elektronikai alkatrész áruház

**EN:** This Datasheet is presented by the manufacturer.

Please visit our website for pricing and availability at [www.hestore.hu](http://www.hestore.hu).



| NO. | Component Name         | PCB Marker | Parameter | QTY |
|-----|------------------------|------------|-----------|-----|
| 1   | Metal Film Resistor    | R3         | 470ohm    | 1   |
| 2   | Metal Film Resistor    | R2         | 2K        | 1   |
| 3   | Metal Film Resistor    | R1         | 200K      | 1   |
| 4   | Potentiometer          | VR1        | 100R      | 1   |
| 5   | Ceramic Capacitor      | C2,C3      | 0.022uf   | 2   |
| 6   | Ceramic Capacitor      | C1,C4      | 0.1uf     | 2   |
| 7   | Electrolytic Capacitor | C5         | 100uf     | 1   |
| 8   | Red LED                | LED1       | 5mm       | 1   |
| 9   | S9012                  | Q2.Q3      | TO-92     | 2   |
| 10  | S9018                  | Q1         | TO-92     | 1   |
| 11  | Power Switch           | SW1        | 6*5mm     | 1   |
| 12  | Buzzer                 | SP1        | 9*12mm    | 1   |
| 13  | Power Socket           | J1         | KF301-2P  | 1   |
| 14  | PCB                    |            |           | 1   |