



HESTORE.HU

elektronikai alkatrész áruház

EN: This Datasheet is presented by the manufacturer.

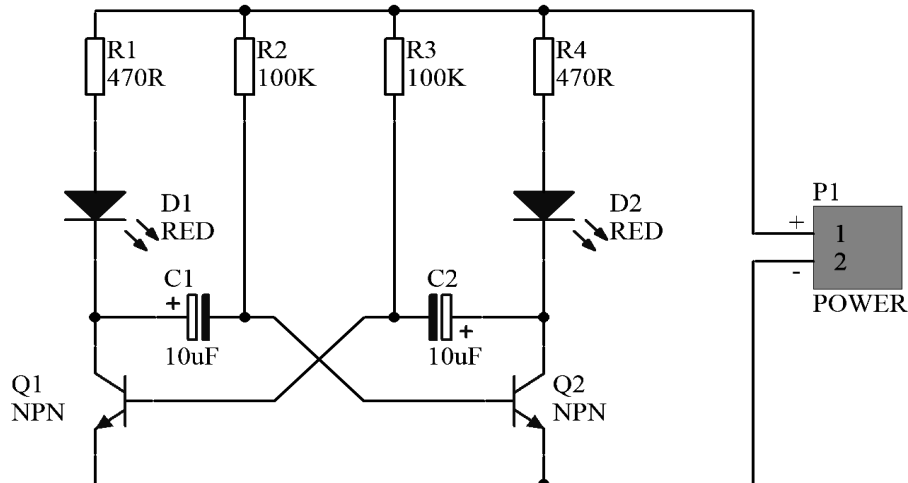
Please visit our website for pricing and availability at www.hestore.hu.

Astabil multivibrátor, LED-es tranzisztoros villogó KIT, 3-9VDC
Astable multivibrator, LED flasher with transistor KIT, 3-9VDC

HESTORE Part.no: 100.415.74 (https://www.hestore.hu/prod_10041574.html)

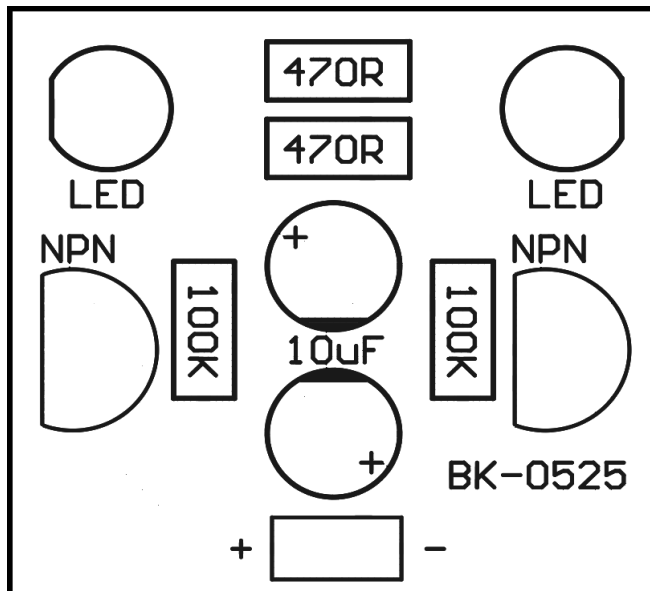
Áramköri rajz

Schematic diagram



Beültetési ábra

Assembly diagram



470R = sárga-lila-barna (yellow-violet-brown)
 100K = barna-fekete-sárga (brown-black-yellow)