



**HESTORE.HU**

elektronikai alkatrész áruház

**EN:** This Datasheet is presented by the manufacturer.

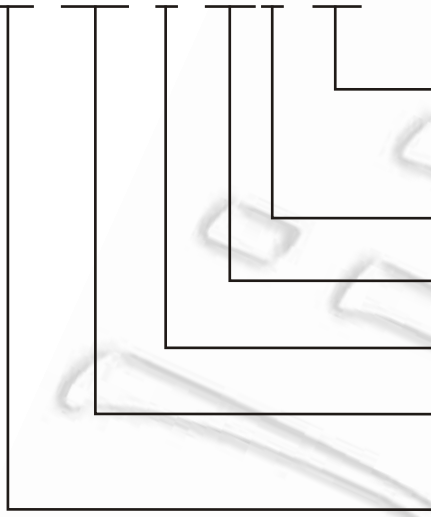
Please visit our website for pricing and availability at [www.hestore.hu](http://www.hestore.hu).



### Specification:

Contact: Brass (CuZn), Cu/Ni, tin plated  
Terminal screw: Steel galvanized and chromated  
Insulator: Poly Butylene, Terephthlene,  
PBT (30% Glass Filled) (UL94V-0)  
Operating temperature: -30°C to 120°C  
Current rating: 20 A  
Resistance to tracking: 5 M  
Dielectric strength: 2500 V  
Insulation withstanding voltage: 1500 VAC min.  
Rated voltage: 300 V  
Conductor size: 0.5 to 4 mm<sup>2</sup>

### TB-5.0-P-2P2-GY



**Colour:**

BL - blue  
GY - gray  
BK - black

**Height over PCB:**

2 - 19 mm

**No. of Poles**

N - max. 24

**Front Wire Inlet Type:**

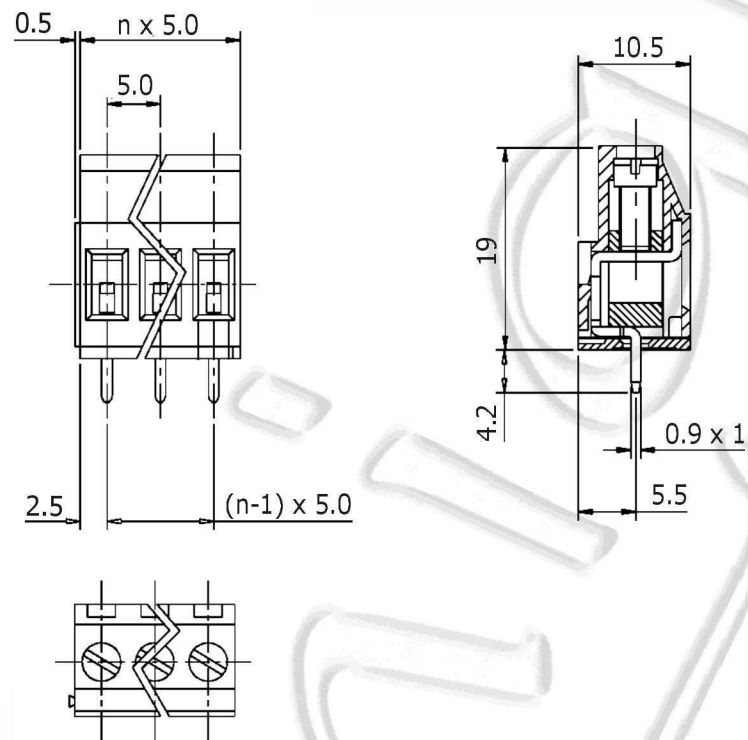
P - Screw on Top

**Pitch:**

5.0 - 5.0 mm  
10 - 10.0 mm

**Terminal Block**

# Ninigi



Recommended PCB holes diameter: 1.2 mm to 1.4 mm