

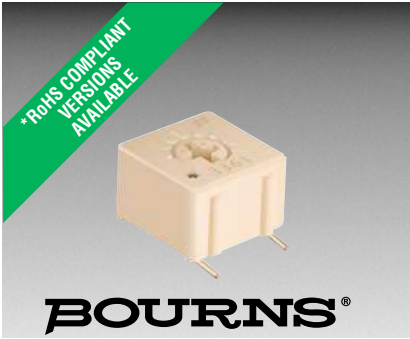


**HESTORE.HU**

elektronikai alkatrész áruház

**EN:** This Datasheet is presented by the manufacturer.

Please visit our website for pricing and availability at [www.hestore.hu](http://www.hestore.hu).



## Features

- Single-Turn / Cermet / Industrial / Sealed
- Miniature package
- Rotor designed for automatic machine adjust interface
- Withstands harsh environments and immersion cleaning processes
- Compatible with surface mount manufacturing processes
- RoHS compliant\* - see [processing information](#) on RoHS compliant surface mount trimmers
- For trimmer applications/processing guidelines, [click here](#)

## 3361 - 1/4 " Square SMD Trimpot® Trimming Potentiometer

### Electrical Characteristics

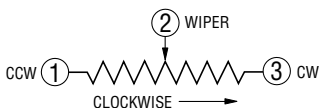
Std. Resistance Range.....	10 to 2 megohms (see standard resistance table)
Resistance Tolerance .....	±10 % std. (tighter tolerance available)
Absolute Minimum Resistance .....	1 % or 2 ohms (whichever is greater)
Contact Resistance Variation .....	3 % or 3 ohms max. (whichever is greater)
Adjustability	
Voltage .....	±0.05 %
Resistance .....	±0.15 %
Resolution.....	Infinite
Insulation Resistance .....	500 vdc. 1,000 megohms min.
Dielectric Strength	
Sea Level.....	900 vac
80,000 Feet.....	350 vac
Adjustment Angle.....	240 ° nom.

### Environmental Characteristics

Maximum Soldering Exposure (Temp/Time).....	+260 °C/20 sec. max. above 255 °C
Power Rating (300 volts max.)	
70 °C.....	0.50 watt
125 °C.....	0 watt
Temperature Range.....	-55 °C to +125 °C
Temperature Coefficient .....	±100 ppm/°C
Seal Test.....	85 °C Fluorinert <sup>†</sup> /60 seconds
Humidity.....	MIL-STD-202 Method 103 96 hours (2 % ΔTR; 10 Megohms IR)
Vibration .....	30 G (1 % ΔTR; 1 % ΔVR)
Shock.....	100 G (1 % ΔTR; 1 % ΔVR)
Load Life.....	1,000 hours 0.5 watt @ 70 °C (3 % ΔTR; 3 % or 3 ohms, whichever is greater, CRV)
Rotational Life.....	200 cycles (4 % ΔTR; 3 % or 3 ohms, whichever is greater, CRV)

### Physical Characteristics

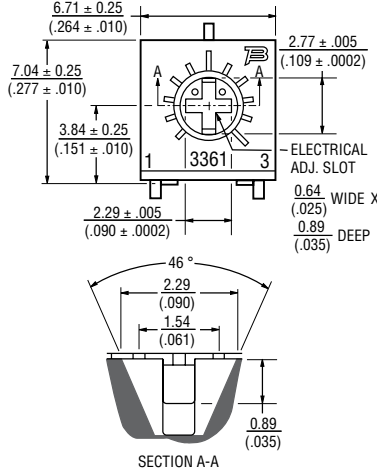
Mechanical Angle .....	270 ° nom.
Torque.....	3.0 oz-in. max.
Stop Strength.....	7.0 oz-in. min.
Terminals .....	Solderable pins
Weight .....	0.02 oz.
Marking.....	Resistance code, terminal numbers, manufacturer's model number, style and date code
Wiper .....	50 % (Actual TR) ±10 %
Flammability .....	U.L. 94V-0
Standard Packaging	
"S" Style .....	500 pcs./13 " reel
"P" Style .....	750 pcs./13 " reel
Adjustment Tool.....	H-90
MSL .....	3



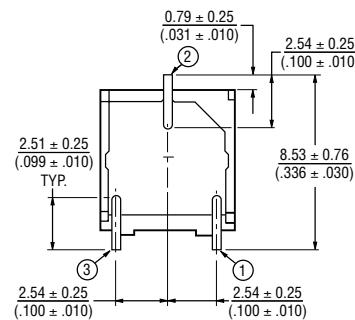
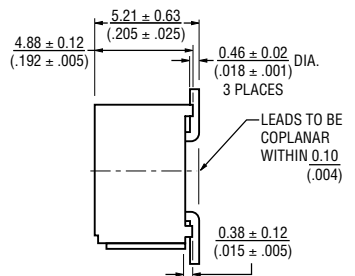
TOLERANCES:  $\frac{0.25}{(.010)}$  EXCEPT WHERE NOTED

### Product Dimensions

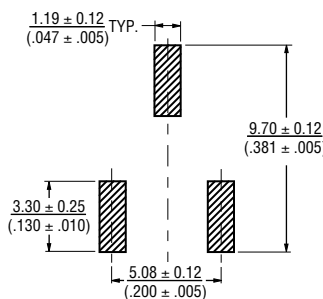
3361P



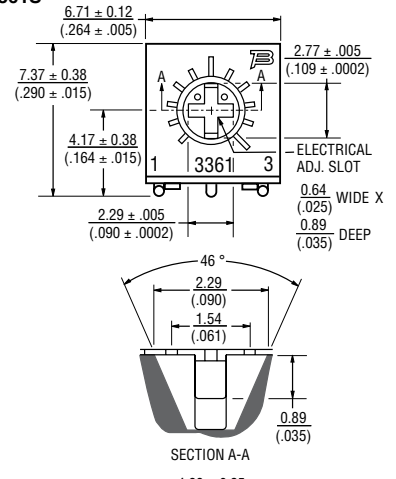
SECTION A-A



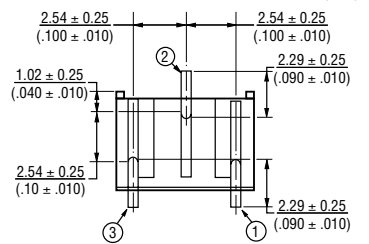
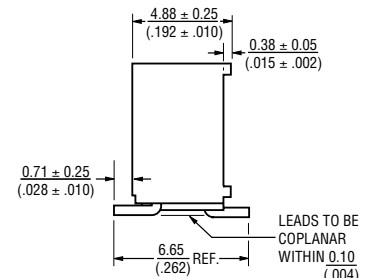
### Recommended Land Pattern



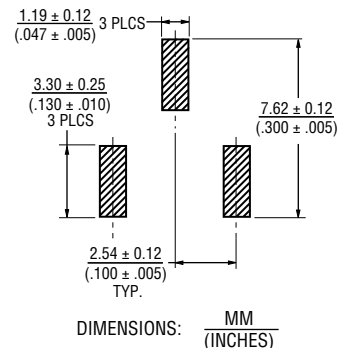
3361S



SECTION A-A



### Recommended Land Pattern



\*RoHS Directive 2002/95/EC Jan. 27, 2003 including annex and RoHS Recast 2011/65/EU June 8, 2011.  
<sup>†</sup>Fluorinert is a registered trademark of 3M Co.  
 Specifications are subject to change without notice.  
 The device characteristics and parameters in this data sheet can and do vary in different applications and actual device performance may vary over time.  
 Users should verify actual device performance in their specific applications.

# 3361 - 1/4 " Square SMD Trimpot® Trimming Potentiometer

**BOURNS®**

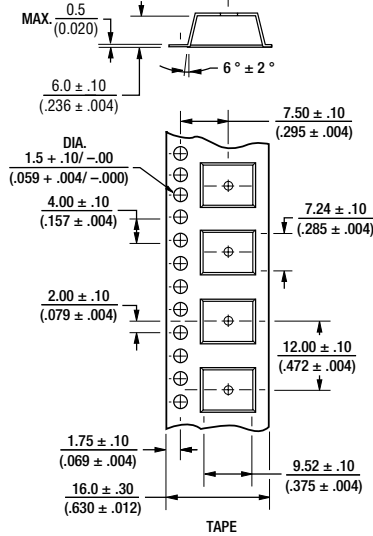
## How To Order

**3361 P - 1 - 502 G LF**

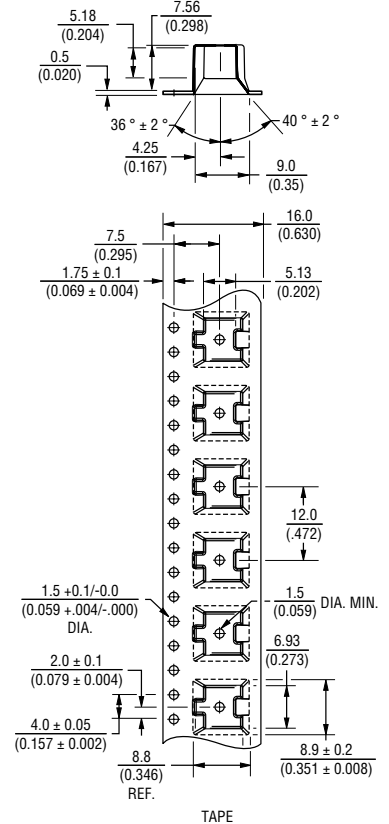
Model \_\_\_\_\_  
 Style \_\_\_\_\_  
 Standard or Modified Product Indicator \_\_\_\_\_  
 -1 = Standard Product  
 Resistance Code \_\_\_\_\_  
 Packaging Designator \_\_\_\_\_  
 G = Embossed Tape  
 "S" Style = 500 pcs./13" reel  
 "P" Style = 750 pcs./13" reel  
 Tape and reel material meets Antistatic ANSI ESD 5541-2003 packaging standards.  
 Terminations \_\_\_\_\_  
 LF = 100 % Tin-plated (RoHS compliant)  
 Blank = 90 % Tin / 10 % Lead-plated (Standard)  
 Consult factory for other available options.

## Packaging Specifications

(P Style)



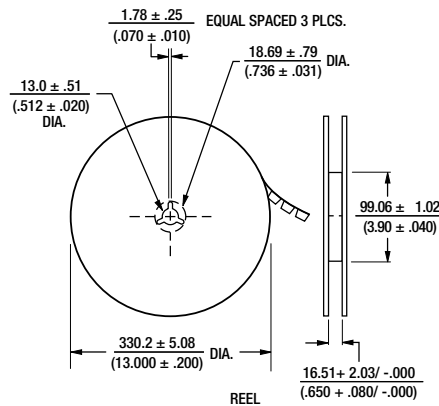
(S Style)



## Standard Resistance Table

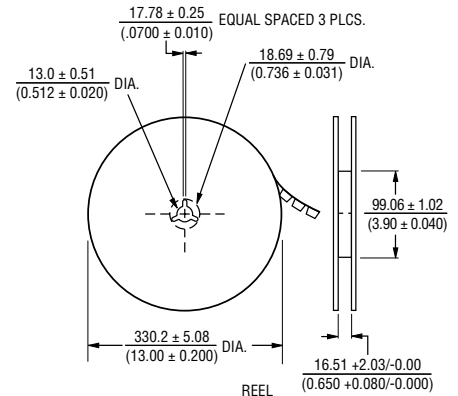
Resistance (Ohms)	Resistance Code
10	100
20	200
50	500
<b>100</b>	<b>101</b>
<b>200</b>	<b>201</b>
<b>500</b>	<b>501</b>
<b>1,000</b>	<b>102</b>
<b>2,000</b>	<b>202</b>
<b>5,000</b>	<b>502</b>
<b>10,000</b>	<b>103</b>
<b>20,000</b>	<b>203</b>
<b>25,000</b>	<b>253</b>
<b>50,000</b>	<b>503</b>
<b>100,000</b>	<b>104</b>
200,000	204
250,000	254
500,000	504
1,000,000	105
2,000,000	205

Popular distribution resistance values listed in boldface. Special resistances available.



UNITS PACKAGED 750 PIECES PER REEL.

DIMENSIONS:  $\frac{\text{MM}}{\text{(INCHES)}}$



UNITS PACKAGED 500 PIECES PER REEL.

DIMENSIONS:  $\frac{\text{MM}}{\text{(INCHES)}}$

REV. 11/16

"Trimpot" is a registered trademark of Bourns, Inc. Specifications are subject to change without notice. Users should verify actual device performance in their specific applications.

The device characteristics and parameters in this data sheet can and do vary in different applications and actual device performance may vary over time.