



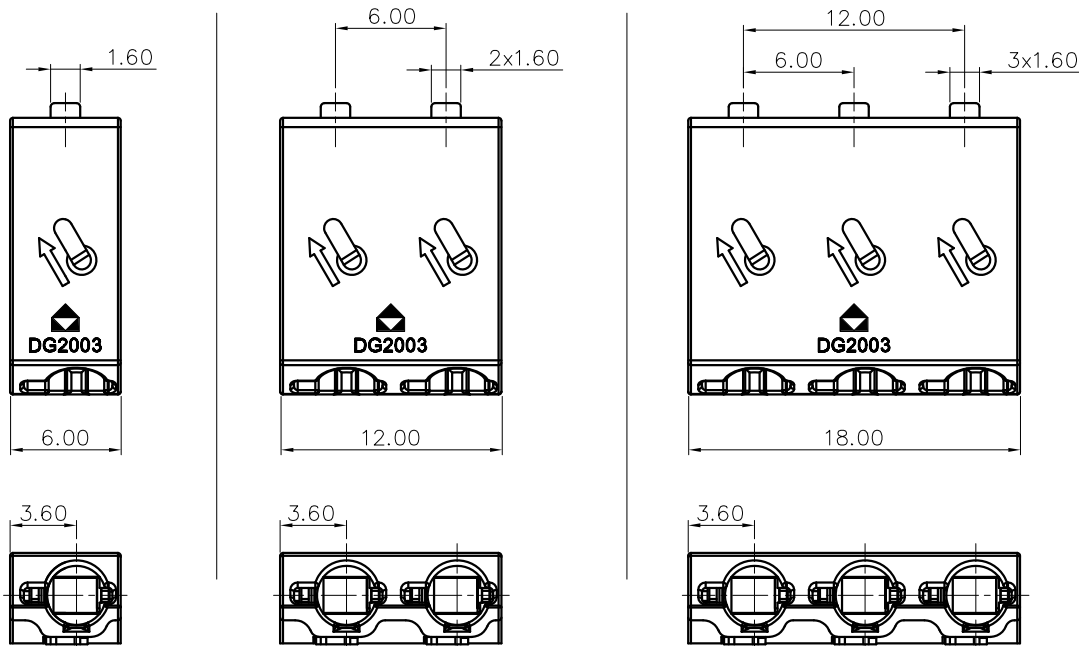
HESTORE.HU

elektronikai alkatrész áruház

EN: This Datasheet is presented by the manufacturer.

Please visit our website for pricing and availability at www.hestore.hu.

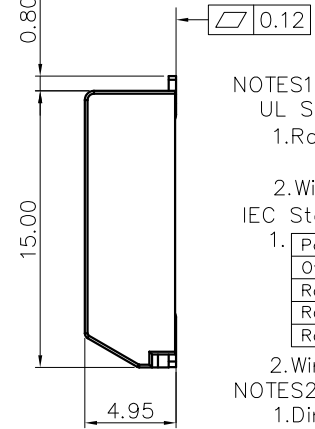
REVISION RECORD				
REV	ECN	DESCRIPTION	DRFT	DATE



01P

02P

03P



NOTES1:

UL Standard

1. Rated voltage/current : 600V / 10A(01P),
300V / 10A(02P/03P)

2. Wire range : 20~16AWG

IEC Standard

1. Pollution degree	2	2	3
Overvoltage category	II	III	III
Rate impulse voltage(KV)	4.0KV	4.0KV	4.0KV
Rate voltage(V)	320V	200V	200V
Rate current(A)	17.5A		

2. Wire range : 0.5~1.5mm²

NOTES2:

1. Dimension shall be interpreted per ASME Y14.5-2009

2. Pitch : 6.00mm, Poles : N=01~03P

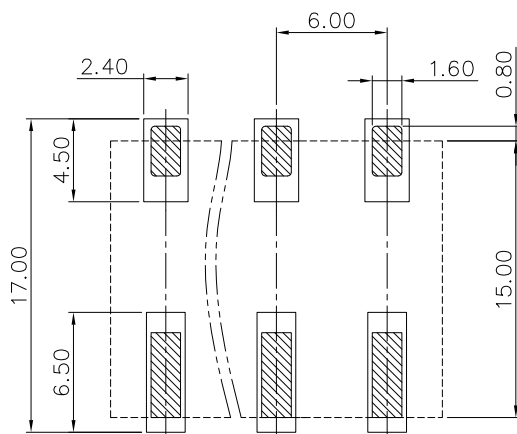
3. Stripping length : 9~11mm

4. Operating temperature: -40°C~+130°C

5. Undimensioned tolerances:

Pitch range in mm		Nominal dimension range in mm				Tolerances		
To	Over	Over	Over	Over	Over	0.1/10		
6	6 TO 10	10 TO 24	30 TO 60	60 TO 100	100 TO 150	150	<	
±0.15	±0.20	±0.30	±0.30	±0.50	±0.70	±1.00	±1.30	±2'

6. RoHS Compliance



PCB LAYOUT

DG2003 - 6.0 - XXP - 1Y - 01A (H)
 (Series No.) (Pitch) (Poles) (Single Pitch) (Color): 1.(Grey) 3.(Black)
 (RoHS)
 01A-(Customer request)

DETACHED LISTS	PART NO.:	/			
	APPD:	/			
	CHKD:	/			
	DRFT:	/			
		 THIRD ANGLE PROJECTION		 DO NOT SCALE DRAWING	
		DRAWING NO.:		/	
		MM (INCH)		SCALE 1:1	
		TITLE: CUSTOMER DRAWING		REV	D0
		NAME: DG2003-6.0-XXP-1Y-01A(H)		SHEET	1/1

宁波高松电子有限公司
 NINGBO DEGSON ELECTRICAL CO., LTD

