



HESTORE.HU

elektronikai alkatrész áruház

EN: This Datasheet is presented by the manufacturer.

Please visit our website for pricing and availability at www.hestore.hu.



ANLY SOLID STATE RELAY



FEATURES

- *HIGH RELIABILITY
- *LONG LIFE
- *NO SWITCHING SPARKS
- *NO NOISE
- *NO CONTACT POINTS
- *FAST REACTION
- *CE certified

TYPE SELECTION :

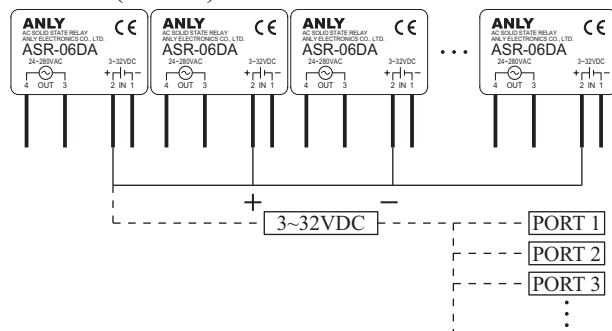
MODEL	TYPE	INPUT CONTROL VOLTAGE	MAX. LOAD CURRENT	LOAD VOLTAGE RANGE	SWITCHING TYPE	WEIGHT
ASR-M02DA-1	DC → AC	3~32VDC	2A	24~280VAC	ZERO-CROSS	Approx. 25g
ASR-M02DA-2						Approx. 62.5g
ASR-M02DA-4P*						Approx. 107.5g
ASR-M02DA-4N*						Approx. 107.5g
ASR-M02DA-8P*						Approx. 186.5g
ASR-M02DA-8N*						Approx. 186.5g
ASR-M03DA-1	DC → AC	3~32VDC	3A	24~280VAC	ZERO-CROSS	Approx. 25g
ASR-M03DA-2						Approx. 62.5g
ASR-M03DA-4P*						Approx. 107.5g
ASR-M03DA-4N*						Approx. 107.5g
ASR-M03DA-8P*						Approx. 186.5g
ASR-M03DA-8N*						Approx. 186.5g
ASR-M04DA-1	DC → AC	3~32VDC	4A	24~280VAC	ZERO-CROSS	Approx. 25g
ASR-M04DA-2						Approx. 62.5g
ASR-M04DA-4P*						Approx. 107.5g
ASR-M04DA-4N*						Approx. 107.5g
ASR-M04DA-8P*						Approx. 186.5g
ASR-M04DA-8N*						Approx. 186.5g

MODEL	TYPE	INPUT CONTROL VOLTAGE	MAX. LOAD CURRENT	LOAD VOLTAGE RANGE	SWITCHING TYPE	WEIGHT
ASR-M05DA-1	DC → AC	3~32VDC	5A	24~280VAC	ZERO-CROSS	Approx. 25g
ASR-M05DA-2						Approx. 62.5g
ASR-M05DA-4P*						Approx. 107.5g
ASR-M05DA-4N*						Approx. 107.5g
ASR-M05DA-8P*						Approx. 186.5g
ASR-M05DA-8N*						Approx. 186.5g
ASR-M06DA-1	DC → AC	3~32VDC	6A	24~280VAC	ZERO-CROSS	Approx. 25g
ASR-M06DA-2						Approx. 62.5g
ASR-M06DA-4P*						Approx. 107.5g
ASR-M06DA-4N*						Approx. 107.5g
ASR-M06DA-8P*						Approx. 186.5g
ASR-M06DA-8N*						Approx. 186.5g
ASR-M02DA-H-1	DC → AC	3~32VDC	2A	24~480VAC	ZERO-CROSS	Approx. 25g
ASR-M02DA-H-2						Approx. 62.5g
ASR-M02DA-H-4P*						Approx. 107.5g
ASR-M02DA-H-4N*						Approx. 107.5g
ASR-M02DA-H-8P*						Approx. 186.5g
ASR-M02DA-H-8N*						Approx. 186.5g
ASR-M03DA-H-1	DC → AC	3~32VDC	3A	24~480VAC	ZERO-CROSS	Approx. 25g
ASR-M03DA-H-2						Approx. 62.5g
ASR-M03DA-H-4P*						Approx. 107.5g
ASR-M03DA-H-4N*						Approx. 107.5g
ASR-M03DA-H-8P*						Approx. 186.5g
ASR-M03DA-H-8N*						Approx. 186.5g
ASR-M04DA-H-1	DC → AC	3~32VDC	4A	24~480VAC	ZERO-CROSS	Approx. 25g
ASR-M04DA-H-2						Approx. 62.5g
ASR-M04DA-H-4P*						Approx. 107.5g
ASR-M04DA-H-4N*						Approx. 107.5g
ASR-M04DA-H-8P*						Approx. 186.5g
ASR-M04DA-H-8N*						Approx. 186.5g
ASR-M05DA-H-1	DC → AC	3~32VDC	5A	24~480VAC	ZERO-CROSS	Approx. 25g
ASR-M05DA-H-2						Approx. 62.5g
ASR-M05DA-H-4P*						Approx. 107.5g
ASR-M05DA-H-4N*						Approx. 107.5g
ASR-M05DA-H-8P*						Approx. 186.5g
ASR-M05DA-H-8N*						Approx. 186.5g
ASR-M06DA-H-1	DC → AC	3~32VDC	6A	24~480VAC	ZERO-CROSS	Approx. 25g
ASR-M06DA-H-2						Approx. 62.5g
ASR-M06DA-H-4P*						Approx. 107.5g
ASR-M06DA-H-4N*						Approx. 107.5g
ASR-M06DA-H-8P*						Approx. 186.5g
ASR-M06DA-H-8N*						Approx. 186.5g

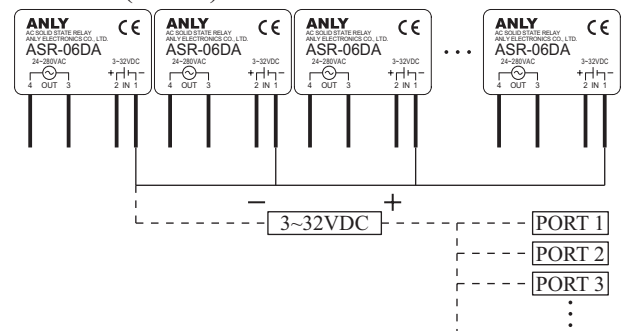
MODEL	TYPE	INPUT CONTROL VOLTAGE	MAX. LOAD CURRENT	LOAD VOLTAGE RANGE	SWITCHING TYPE	WEIGHT
ASR-M02AA-1	AC → AC	80~280VAC	2A	24~280VAC	ZERO-CROSS	Approx. 25g
ASR-M02AA-2						Approx. 62.5g
ASR-M02AA-4						Approx. 107.5g
ASR-M02AA-8						Approx. 186.5g
ASR-M04AA-1	AC → AC	80~280VAC	4A	24~280VAC	ZERO-CROSS	Approx. 25g
ASR-M04AA-2						Approx. 62.5g
ASR-M04AA-4						Approx. 107.5g
ASR-M04AA-8						Approx. 186.5g
ASR-M06AA-1	AC → AC	80~280VDC	6A	24~280VAC	ZERO-CROSS	Approx. 25g
ASR-M06AA-2						Approx. 62.5g
ASR-M06AA-4						Approx. 107.5g
ASR-M06AA-8						Approx. 186.5g
ASR-M02DD-1	DC → DC	3~32VDC	2A	3~60VDC	N/A	Approx. 25g
ASR-M02DD-2						Approx. 62.5g
ASR-M02DD-4P*						Approx. 107.5g
ASR-M02DD-4N*						Approx. 107.5g
ASR-M02DD-8P*						Approx. 186.5g
ASR-M02DD-8N*						Approx. 186.5g
ASR-M04DD-1	DC → DC	3~32VDC	4A	3~60VDC	N/A	Approx. 25g
ASR-M04DD-2						Approx. 62.5g
ASR-M04DD-4P*						Approx. 107.5g
ASR-M04DD-4N*						Approx. 107.5g
ASR-M04DD-8P*						Approx. 186.5g
ASR-M04DD-8N*						Approx. 186.5g
ASR-M02AD-1	AC → DC	80~280VAC	2A	3~60VDC	N/A	Approx. 25g
ASR-M02AD-2						Approx. 62.5g
ASR-M02AD-4						Approx. 107.5g
ASR-M02AD-8						Approx. 186.5g
ASR-M04AD-1	AC → DC	80~280VAC	4A	3~60VDC	N/A	Approx. 25g
ASR-M04AD-2						Approx. 62.5g
ASR-M04AD-4						Approx. 107.5g
ASR-M04AD-8						Approx. 186.5g

*NOTE :

P TYPE(COM+)



N TYPE(COM-)

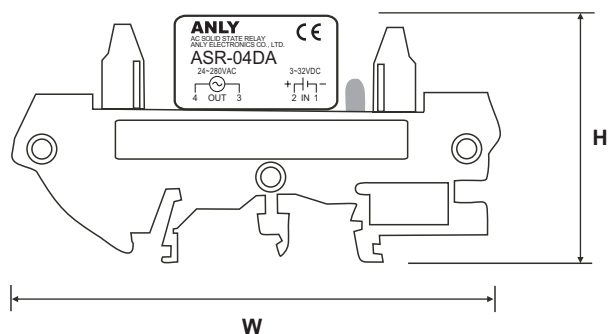
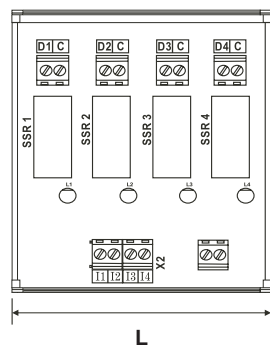


GENERAL DATA :

Type	DC→AC	DC→AC(H)	AC→AC	DC→DC	AC→DC
Must Turn Off Voltage	MAX 1.0VDC	MAX 1.0VDC	MAX 10VAC	MAX 1.0VDC	MAX 10VAC
Input Impedance	1.5KΩ	1.5KΩ	1.5KΩ	1.5KΩ	1.5KΩ
Min Blocking Voltage	600VAC peak	1200VAC peak	600VAC peak	80VDC	80VDC
Max Off-State Leakage	LESS 5mA	LESS 5mA	LESS 5mA	LESS 1mA	LESS 1mA
Frequency Range	47~70Hz	47~70Hz	47~70Hz	47~70Hz	47~70Hz
Max Off-State dv/dt	2~4A:100V/μ Sec 5~6A:200V/μ Sec	500V/μ Sec	2A, 4A:100V/μ Sec 6A:200V/μ Sec	200V/μ Sec	200V/μ Sec
Max On-State Voltage Drop	2~3A:1.5VACrms 4~6A:2.0VACrms	2.0VACrms	2A:1.5VACrms 4A, 6A:2.0VACrms	1.2Vrms	1.2Vrms
Isolate Impedance	10 ⁹ Ω	10 ⁹ Ω	10 ⁹ Ω	10 ⁹ Ω	10 ⁹ Ω
Dielectric Strength Input -Output	2500VACrms	2500VACrms	4000VACrms	2500Vrms	2500Vrms
Dielectric Strength Input, Output-Case	N/A	N/A	N/A	N/A	N/A
Turn On Time	LESS 2mSec	LESS 2mSec	LESS 2mSec	LESS 2mSec	LESS 2mSec
Turn Off Time	LESS 1/2 AC CYCLE	LESS 1/2 AC CYCLE	LESS 1/2 AC CYCLE	LESS 1/2 CYCLE	LESS 1/2 CYCLE
Capacitance In-Out	LESS 15 pF	LESS 15 pF	LESS 15 pF	LESS 15 pF	LESS 15 pF
Max 1-Cycle Peak Surge	ASR-M02DA:30A ASR-M03DA:40A ASR-M04DA:50A ASR-M05DA:55A ASR-M06DA:60A	ASR-M02DA-H:20A ASR-M03DA-H:30A ASR-M04DA-H:40A ASR-M05DA-H:50A ASR-M06DA-H:60A	ASR-M02AA:30A ASR-M04AA:50A ASR-M06AA:60A	ASR-M02DD:3A ASR-M04DD:8.5A	ASR-M02AD:3A ASR-M04AD:8.5A

OUTLINE DIMENSIONS : mm

Model	Dimension (LxWxH)mm
1 port	14 x 87 x 51
2 port	34 x 87 x 51
4 port	64 x 87 x 51
8 port	124 x 87 x 51



ANLY ELECTRONICS CO., LTD.

<http://www.anly.com.tw>

TAIWAN MAIN OFFICE : ANLY ELECTRONICS CO., LTD.

No.19, Lane 202, Fushou St., Shinjuang City, Taipei, Taiwan 242
TEL: +886-2-2996-3202 FAX: +886-2-2996-2017

MALAYSIA BRANCH : JUSTY ELECTRONICS (M) SDN, BHD.

No.1, Jalan 6/89B, Kawasan Perindustrian Trisegi, Batu 3 1/2 Off Jalan Sungei Besi, 57100 Kuala Lumpur, Malaysia
TEL: +60-3-7983-5758 FAX: +60-3-7981-5052

HONG KONG BRANCH : ANLY ELECTRONICS (HK) LTD.

Flat K, 13/F, Edward Mansion, 141 Prince Edward Road W., Kowloon, Hong Kong
TEL: +852-2397-2505 FAX: +852-2397-6080

SHANGHAI BRANCH : ANLY TECHNOLOGY (WUXI) CO., LTD.

Room 13G, No.831, Xinzha Rd., Jingan District, Shanghai, China 200041
TEL: +86-21-6218-3300 FAX: +86-21-6217-5911

NO. ASRM-J-A