



HESTORE.HU

elektronikai alkatrész áruház

EN: This Datasheet is presented by the manufacturer.

Please visit our website for pricing and availability at www.hestore.hu.

POLAM-ELTA Sp. z o.o.

LED DIODES
LED CONTROL LAMPS
www.polamelta.com

Jerozolimskie Avenue 202
02-486 Warsaw, POLAND
tel. (+48) 22-837-22-07
fax (+48) 22-207-24-28



COMPLIANCE DECLARATION NR 06/07/2018

Producer: POLAM-ELTA Sp. z o.o.
Jerozolimskie Avenue 202
02-486 Warsaw

KRS Nr: 0000190790
REGON: 001416903

We declare with a full responsibility that **LED signal lamps BA9S** we manufacture:

LB , LG , LO , LR , LY , LW (parameters in accordance with catalogue data) comply requirements imposed by:

1. **Low Voltage Directive** **LVD 2014/35/UE**
2. **Directive on the essential requirements for the restriction of the use of certain hazardous substances in electrical and electronic equipment** **ROHS 2011/65/UE**
3. **The standard norms (relating to the particular parts of a product):**
 - PN EN 612 36:2002 Works under voltage – bipolar indexes Nn
 - PN-80/E-85050 miniature light bulbs of general use
 - PN-EN 983:2000 miniature light bulbs

The year of obtaining CE sign: 07

Warszawa 09-07-2018

.....
Place and date of issue

PREZES ZARZĄDU

Ireneusz Tonder

.....
Name, position and signature of authorized person

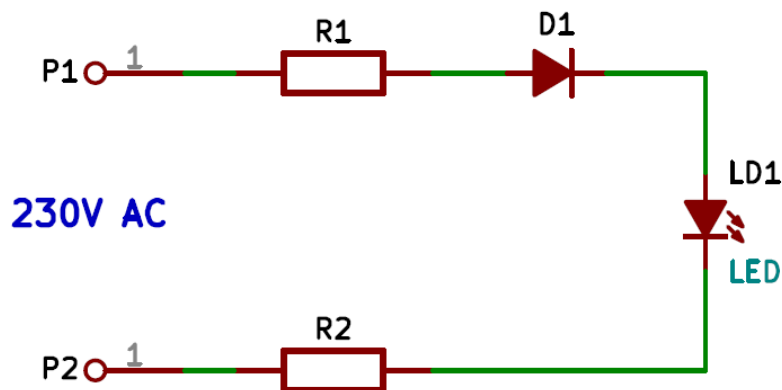
1. Product description:

The declaration is concerned about LED signal lamps produced for a number of voltage ranging 24V-AC - 400V-AC (24V; 30V; 48V; 60V; 110-130V; 230V; 400V) and 24V-DC – 220V-DC (24V; 30V; 48V; 60V; 110-130V; 220V). The lamps are designed for electric accessories use.

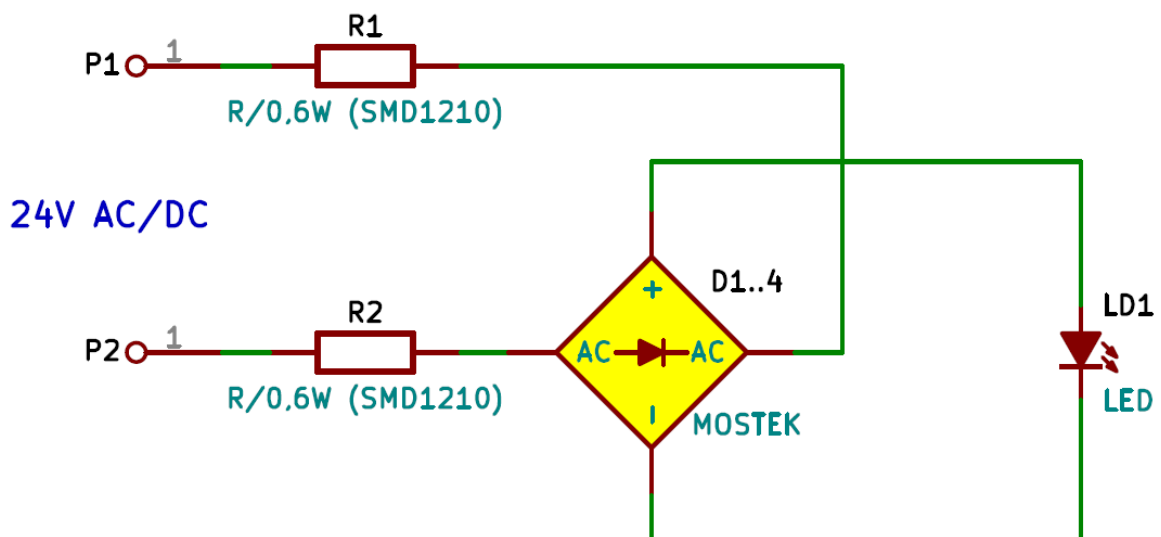
2. Technological documentation:

All the signal LED lamps are based on the following circuitry

Half-wave rectifier (version for 220V-DC, 230V-AC all colors and 24V-AC/DC only white)

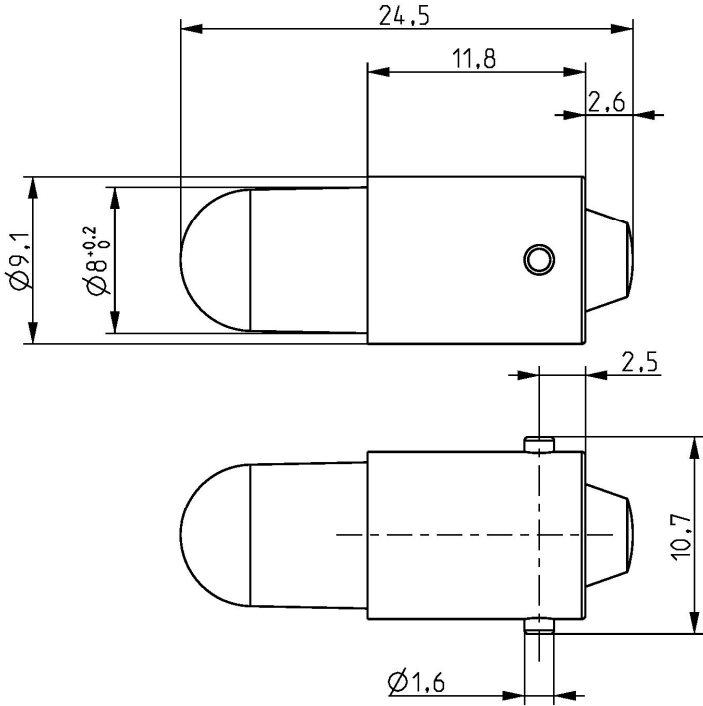


Full-wave rectifier (version for 12V-AC/DC all colors and 24V-AC/DC all colors except white)



For 230 V-AC voltage, power consumption is 0,8 W, for 24V-AC, it is 0,25 W and for 24V-DC, it is 0,5 W.

- signal lamp BA9S



LED CONTROL LAMPS BA9S



Technical parameters of lamps (24V-AC/DC)

color	luminosity AC (mcd)	luminosity DC (mcd)	wave length (nm)	power AC/DC
red [R] mat	700-800	1000-1500	630	0,25 / 0,5 W
green [G] mat	800-1000	2200-2400	530	0,25 / 0,5 W
yellow [Y] mat	800-1000	1100-1250	590	0,25 / 0,5 W
orange [O] mat	600-800	650-750	610	0,25 / 0,5 W
blue [B] mat	300-400	750-850	470	0,25 / 0,5 W
white [W] mat	2000-2500	4000-5000	4500 K	0,25 / 0,5 W

Technical parameters of lamps (230V-AC)

color	luminosity (mcd)	wave length (nm)	power
red [R] mat	200-250	630	0,8 W
green [G] mat	400-500	530	0,8 W
yellow [Y] mat	250-300	590	0,8 W
orange [O] mat	150-170	610	0,8 W
blue [B] mat	90-100	470	0,8 W
white [W] mat	1100-1600	3000 K	0,8 W