



**HESTORE.HU**

elektronikai alkatrész áruház

**EN:** This Datasheet is presented by the manufacturer.

Please visit our website for pricing and availability at [www.hestore.hu](http://www.hestore.hu).

# 3M™ CF Card Header

CompactFlash™ Type II, Long Guides, Surface Mount

7E50 Series



- Headers mate with both CompactFlash™ Type I and Type II cards
- Polarization options for top or bottom boardmount
- Extended guide rails enable accurate and easy card insertion
- Metal brace provides stability for ejector attachment option
- Guide rail ESD clip contacts board ground pads
- Single row surface mount solder tails facilitate auto placement and IR soldering
- Optional 2 mm board standoff enables board population
- Meets CFA standards for known compatibility and reliability
- Multiple styles of ejector available
- RoHS\* compliant version (RA or RB plating suffix) available

Date Modified: March 1, 2006

TS-2083-04  
Sheet 1 of 4

## Physical

### Insulation

Material: High Temperature Thermoplastic  
Flammability: UL 94V-0  
Color: Beige

### Contact

Material: Copper Alloy

### Plating

Underplating: 2.03  $\mu\text{m}$  [ 80  $\mu\text{m}$  ] Nickel  
Wiping Area: 0.38  $\mu\text{m}$  [ 15  $\mu\text{m}$  ] and 0.76  $\mu\text{m}$  [ 30  $\mu\text{m}$  ] Gold  
Solder Tails: 2.54  $\mu\text{m}$  [ 100  $\mu\text{m}$  ] 90/10 Tin Lead or 3.81  $\mu\text{m}$  [ 150  $\mu\text{m}$  ] Matte tin (RoHS compliant) (See ordering information)

## Electrical

**Current Rating:** 0.5 A  
**Insulation Resistance:**  $10^3$  M $\Omega$  at 500 VDC  
**Withstanding Voltage:** 500 VAC for 1 minute

## Environmental

**Temperature Rating:** -40°C to +85°C  
**Process Rating:** Maximum 260 C (per J-STD-020C)  
**Moisture Sensitivity Level:** 1 (per J-STD-020C)

\*\*RoHS compliant" means that the product or part does not contain any of the following substances in excess of the following maximum concentration values in any homogeneous material, unless the substance is in an application that is exempt under RoHS: (a) 0.1% (by weight) for lead, mercury, hexavalent chromium, polybrominated biphenyls or polybrominated diphenyl ethers; or (b) 0.01% (by weight) for cadmium. Unless otherwise stated in writing by 3M, this information represents 3M's knowledge and belief based on information provided by third party suppliers to 3M.

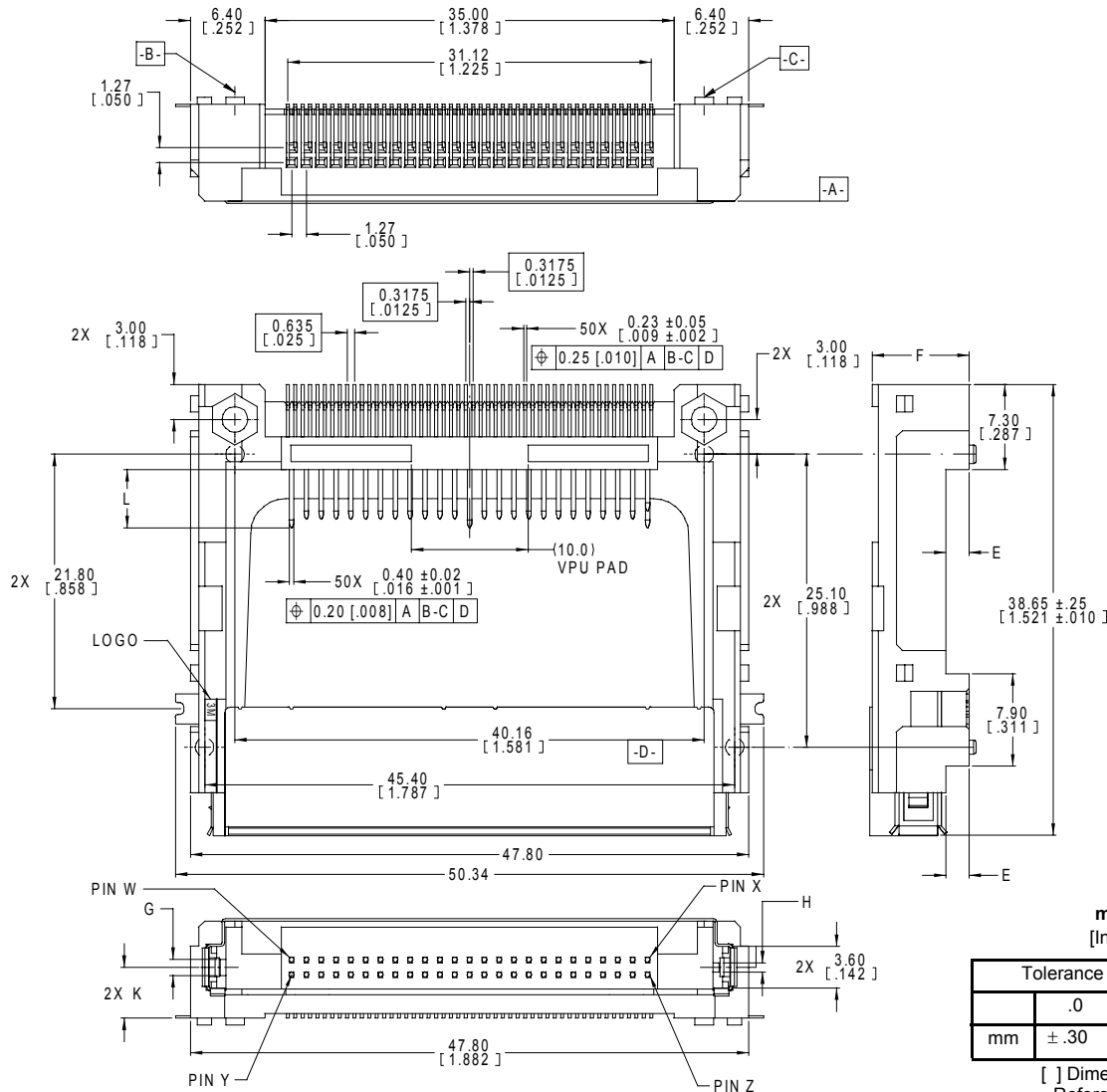
CompactFlash is a registered trademark of Sandisk Corporation.

# 3M™ CF Card Header

CompactFlash™ Type II, Long Guides, Surface Mount

7E50 Series

Pin Function	L, Pin length Dim	Pin Position
Detect	3.50 mm [ .138 " ]	25, 26
General Use	4.25 mm [ .167 " ]	All other pins
Power	5.00 mm [ .199 " ]	1, 13, 38, 50



Note: See TS-2154 for applicable ejectors.

## Ordering Information

### N7E50 - X516XX - XX - WF

M = CF I & II, 31.60 mm, Normal Type, Metal Guide  
 N = CF I & II, 31.60 mm, Inverse Type, Metal Guide

Plating Options:  
 TH = 0.38 μm [ 15 μ" ] Gold with Sn-Pb tail  
 TC = 0.76 μm [ 30 μ" ] Gold with Sn-Pb tail  
 RA = 0.38 μm [ 15 μ" ] Gold with Matte tin tail (RoHS compliant)  
 RB = 0.76 μm [ 30 μ" ] Gold with matte tin tail (RoHS compliant)

Board Standoff:  
 40 = None  
 50 = 2.00 mm [ .079" ]

Packaging Options:  
 Blank = Trays  
 WF = Tape and Reel

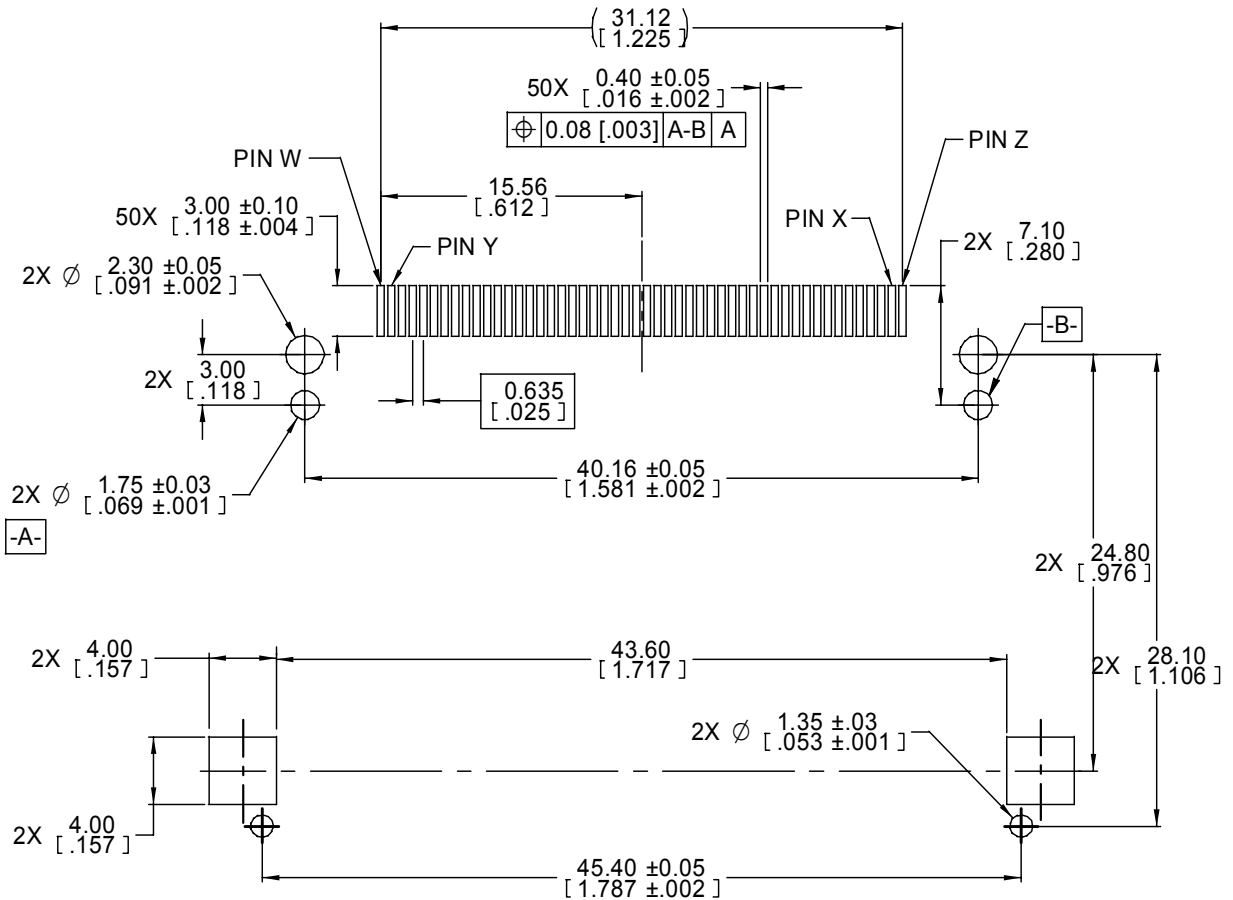
TS-2083-04  
 Sheet 2 of 4

# 3M™ CF Card Header

CompactFlash™ Type II, Long Guides, Surface Mount

7E50 Series

Part Number	E mm [ inch ]	F mm [ inch ]	G mm [ inch ]	H mm [ inch ]	K mm [ inch ]	Pin W	Pin X	Pin Y	Pin Z
N7E50-M516XX-40	0.00 [ .000 ]	6.30 [ .248 ]	1.40 [ 0.55 ]	0.80 [ .031 ]	2.35 [ .093 ]	Pin 1	Pin 25	Pin 26	Pin 50
N7E50-M516XX-50	2.00 [ .079 ]	8.30 [ .328 ]	1.40 [ .055 ]	0.80 [ .031 ]	4.35 [ .171 ]	Pin 1	Pin 25	Pin 26	Pin 50
N7E50-N516XX-40	0.00 [ .000 ]	6.30 [ .248 ]	0.80 [ .031 ]	1.40 [ .055 ]	3.95 [ .156 ]	Pin 50	Pin 26	Pin 25	Pin 1
N7E50-N516XX-50	2.00 [ .079 ]	8.30 [ .328 ]	0.80 [ .031 ]	1.40 [ .055 ]	5.95 [ .234 ]	Pin 50	Pin 26	Pin 25	Pin 1



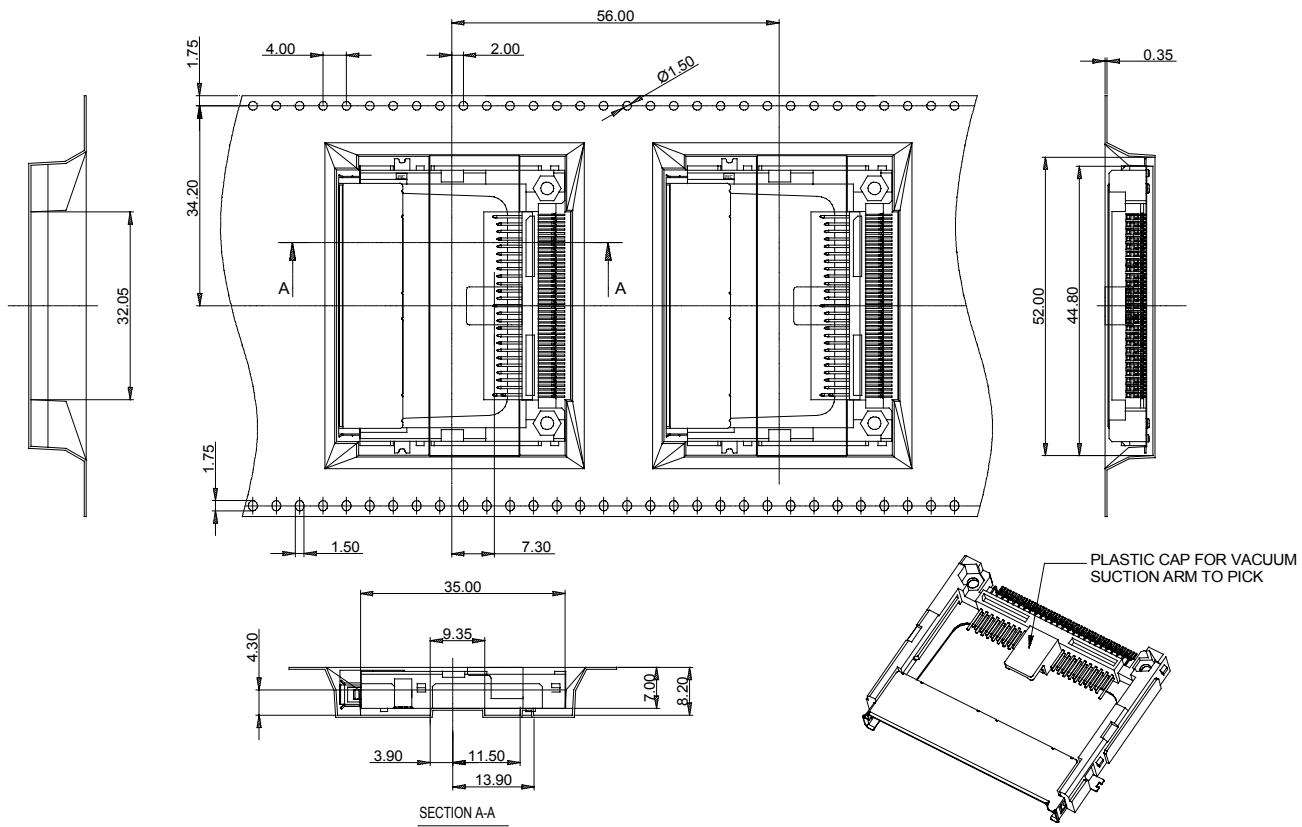
**PCB LAYOUT**

# 3M™ CF Card Header

CompactFlash™ Type II, Long Guides, Surface Mount

7E50 Series

## Tape and Reel Detail



### Notes:

1. Material: PS film
2. Qty: 100 ;cs/reel 4 reels/box
3. Carton size: 725 mm x 375 mm x 320 mm
4. Vacuum cap for suction type pick-n-place equipment

TS-2083-04  
Sheet 4 of 4

## Important Notice

All statements, technical information, and recommendations related to 3M's products are based on information believed to be reliable, but the accuracy or completeness is not guaranteed. Before using this product, you must evaluate it and determine if it is suitable for your intended application. You assume all risks and liability associated with such use. Any statements related to the product which are not contained in 3M's current publications, or any contrary statements contained on your purchase order shall have no force or effect unless expressly agreed upon, in writing, by an authorized officer of 3M.



### 3M Electronics

6801 River Place Blvd.  
Austin, TX 78726-9000  
800/225-5373  
[www.3M.com/electronics](http://www.3M.com/electronics)

## Warranty; Limited Remedy; Limited Liability.

This product will be free from defects in material and manufacture for a period of one (1) year from the time of purchase. **3M MAKES NO OTHER WARRANTIES INCLUDING, BUT NOT LIMITED TO, ANY IMPLIED WARRANTY OF MERCHANTABILITY OR FITNESS FOR A PARTICULAR PURPOSE.** If this product is defective within the warranty period stated above, your exclusive remedy shall be, at 3M's option, to replace or repair the 3M product or refund the purchase price of the 3M product. **Except where prohibited by law, 3M will not be liable for any indirect, special, incidental or consequential loss or damage arising from this 3M product, regardless of the legal theory asserted.**



Minimum 10%  
Post-Consumer Fiber

Printed in USA.

© 3M 2006