



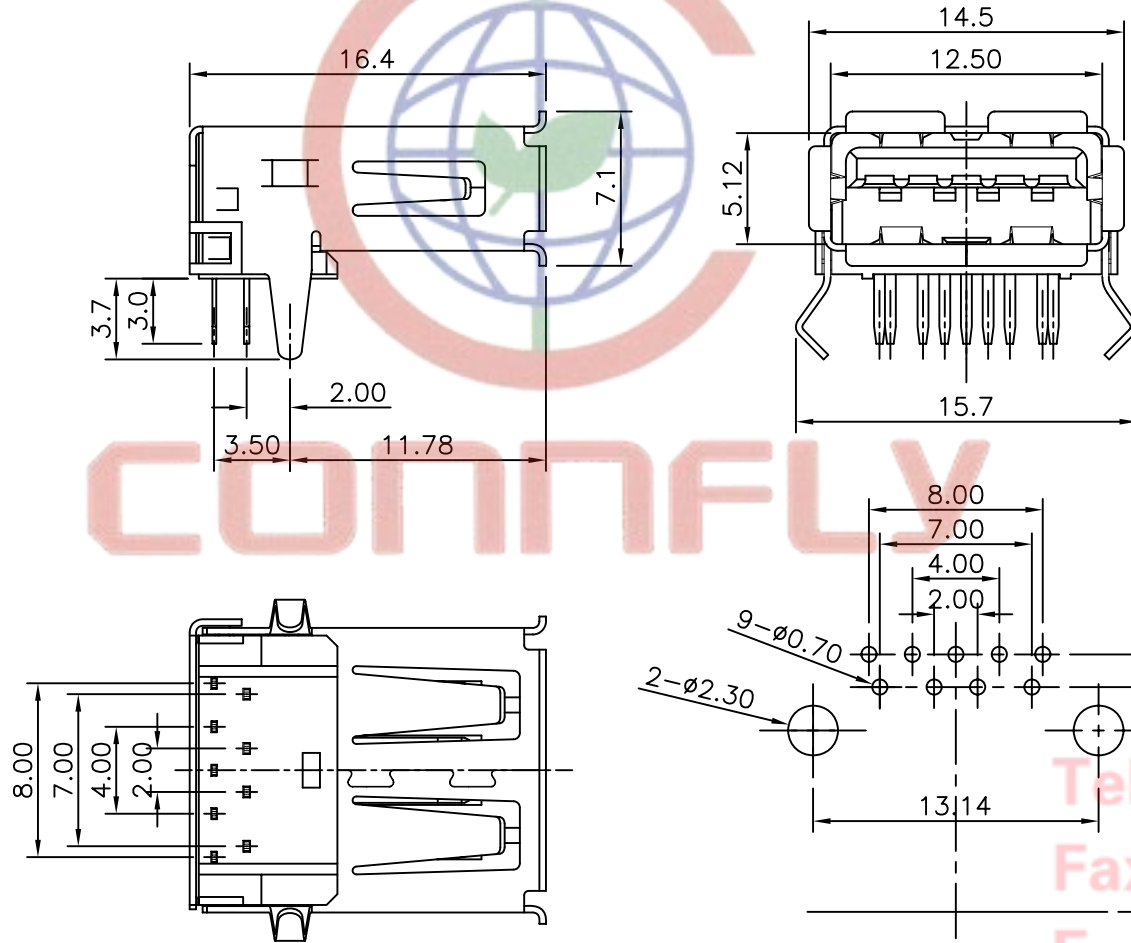
HESTORE.HU

elektronikai alkatrész áruház

EN: This Datasheet is presented by the manufacturer.

Please visit our website for pricing and availability at www.hestore.hu.

| REV. | DESCRIPTION | DRAWN | CHECKED | APPROVED |
|------|-------------|---------------|---------|----------|
| A | NEW RELEASE | YCH 09/03/10' | ~ | |
| | | | | |
| | | | | |



NOTES:

- SPECIFICATIONS:
 - CONTACT RESISTANCE: 30mΩ(max.) INITIAL FOR VBUS AND GND CONTACTS. 50mΩ(max.) INITIAL FOR ALL OTHER CONTACTS.
 - INSULATOR RESISTANCE: 100MΩ min. AT 100V DC.
 - CURRENT RATING: 1.8A FOR VBUS PIN AND ITS CORRESPONDING GND PIN. 0.25A (MIN.) FOR ALL OTHER CONTACTS
 - VOLTAGE RATING: 30V AC/DC.
 - DIELECTRIC STRENGTH: AC 100V FOR 1 Minute.
 - OPERATING TEMPERATURE: -55°C ~ +85°C.

- MATERIALS:
 - HOUSING: THERMOPLASTIC (UL 94-0).
 - CONTACT: COPPER ALLOY
 - SHELL: COPPER ALLOY.

3. PRODUCT NUMBER CODE:

DS1095-05-X X X X

CONTACT PLATING
 0: Selective gold flash
 03: Selective gold 3u"
 30: Selective gold 30u"

MOUNTING TYPE
 R: R/A

SHELL PLATING:
 N: Nickel
 6: Tin

COLOR OF HOUSING:
 L: Blue
 W: White
 B: Black

RECOMMEND PCB LAYOUT
 (TOLERANCE=±0.05)

Tel: 86-574-
 Fax: 86-574-
 E-mail: sale@
 Http://www.

| | | | | | | | | | |
|-------------------|-------|------------------|-------|------------|----|--|-----------------------------------|--|--------|
| GENERAL TOLERANCE | | ANGLE TOLERANCE | | PROJECTION | | TITLE | USB 3.0 A TYPE FEMALE R/A TYPE | | |
| X. | ±0.60 | X. | ±5° | UNITS | mm | | | | |
| .X | ±0.38 | .X | ±3' | SHEET SIZE | A4 | SERIES | DS1095-05 SERIES | | |
| .XX | ±0.25 | .XX | ±2' | | | | | | |
| DRAWING TYPE | | CUSTOMER | | | | 晨翔电子有限公司 CONNFLY CONNFLY ELECTRONIC CO. LTD | | | |
| SCALE | | 1:1 | SHEET | | | | | | 1 OF 1 |
| DRAWING NO. | | C-DS1095-05-XXRX | | | | | | | |