



HESTORE.HU

elektronikai alkatrész áruház

EN: This Datasheet is presented by the manufacturer.

Please visit our website for pricing and availability at www.hestore.hu.

VARISTOR



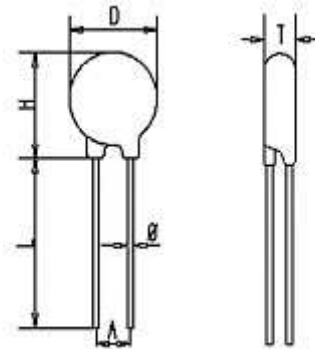
VAR14 Series

VAR14 Series varistors Size (mm)

Dmax	17
Hmax	19
Lmin	25
A±1	7.5
□±0.02	0.8

VAR14 Series varistor thickness Tmax(mm)

VAR14-25 – VAR14-60	5.0
VAR14-150	5.5
VAR14-250 – VAR14-300	6.0
VAR14-420	7.0
VAR14-460	7.5



Part No.	Varistor Voltage	Max.Allowable Voltage		Max.Clamping Voltage (8/20µS)		Energy (J)		Peak Current (8/20µS)		Rated Wattage (W)	Capacitance 1kHz (pF)
	V1mA (v)	Acrms (v)	DC (v)	Vc (v)	Ip (A)	10/1000 µS	2ms	1time (kA)	2times (kA)		
VAR14-25	35-43	25	31	77	10	11	9.4	2	1	0.1	7,500
VAR14-30	42-52	30	38	93	10	14	11	2	1	0.1	6,500
VAR14-60	90-110	60	85	165	50	35	25	6.5	5	0.6	3,400
VAR14-150	216-264	150	200	395	50	84	60	6.5	5	0.6	710
VAR14-250	351-429	250	320	650	50	140	100	6.5	5	0.6	480
VAR14-275	387-473	275	350	710	50	155	110	6.5	5	0.6	440
VAR14-300	423-517	300	385	775	50	175	125	6.5	5	0.6	420
VAR14-420	612-748	420	560	1120	50	200	145	6.5	5	0.6	290
VAR14-460	657-825	460	615	1240	50	210	150	6.5	5	0.6	260