



HESTORE.HU

elektronikai alkatrész áruház

EN: This Datasheet is presented by the manufacturer.

Please visit our website for pricing and availability at www.hestore.hu.

RJ45 Weathertight Connectors



RJ45 Weathertight Connectors

Features & Benefits

- Sealed to IP67 & IP68 NEMA 250 (6P) (when mated)
- Molded cable assemblies available
- CAT 5E or CAT 6 available in shielded or unshielded versions as standard
- Feed through or IDC panel terminals for easy field installation
- Field installable design is easy to assemble
- Dust cap available

Applications

- Any sealed data transmission
- Military or industrial GPS location devices
- Instrumentation
- Medical data carts
- Data acquisition units
- General industrial electronic applications

RJ45 Weathertight Connectors

Specifications

Materials:

Field Installable Plug Assembly:

Sealing Nut, Coupling Ring: Thermoplastic

Plug Housing, Insert: Thermoplastic

Sealing Ring: Elastomer

O-Ring: Elastomer

RJ45 Plug:

Insulator: Thermoplastic

Contacts: Copper Alloy, Gold Plated

Shield (Shielded Option Only): Copper Alloy, Tin Plated

Panel Housing Jack Assembly:

Panel Housing, Hex Nut: Thermoplastic

Gasket: Elastomer

RJ45 Jack:

Housing: Thermoplastic

Contacts: Copper Alloy, Gold Plated

Printed Circuit Board (PCB): FR-4

IDC Contacts: Copper Alloy, Tin Plated

Electrical:

Contact Resistance: 20 milliohms Max

Insulation Resistance: 500M ohms Min

Withstanding Voltage: 1000V DC

Mechanical:

Vibration: Mil-Std 202G Method 201A

Environmental:

Operating Temperature: -10 °C to +60 °C

Moisture Resistance: Mil-Std 202G Method 106G

Insulation Resistance: Mil-Std 202G Method 302G

Thermal Shock: Mil-Std 202G Method 107G

Product Rating:

IP67 & IP68, NEMA 250 (6P) (when mated)

RJ45 Cable Plug (Category 6): TIA/EIA 568 C.2

RJ45 Panel Jack (Category 5e): TIA/EIA 568 B.2

RJ45 Panel Jack (Category 6): TIA/EIA 568 B.2

Other:

Recommended Panel Thickness:

Quick Connect Coupling: 1/32" to 3/16"
(0.8mm to 4.8mm)

Threaded Coupling: 1/32" to 5/32"
(0.8mm to 3.9mm)

Recommended Cable Type:

Conductor Type: Solid or Stranded Conductors

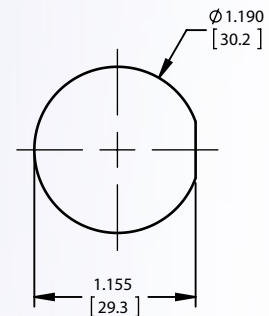
Outer Cable O.D. Range: Ø0.190 to Ø0.250
(4.83mm to 6.35mm)

Conductor insulator O.D. Range: Ø0.037 to Ø0.042
(0.94mm to 1.06mm)

Recommended Crimp/Termination Tools:

Sentinel Hand Ratchet Tool, Part Number "900005"

Sentinel Die Set, Part Number "900216"



RECOMMENDED PANEL CUT-OUT
(THREADED OR QUICK CONNECT COUPLING)
± 0.003 [±0.07]

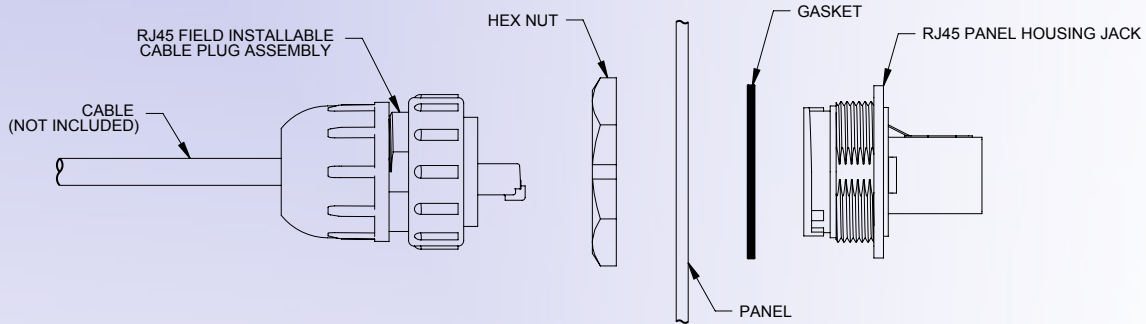
Molded Cable Assemblies

Custom overmolded cable assemblies available
Please contact us with your requirements

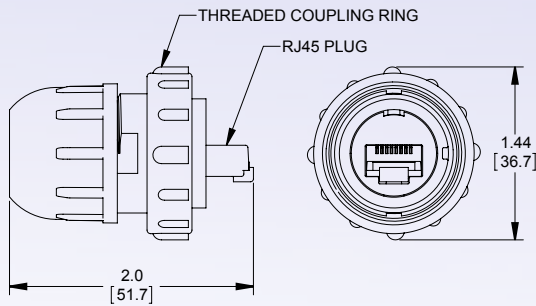


RJ45 Weathertight Connectors

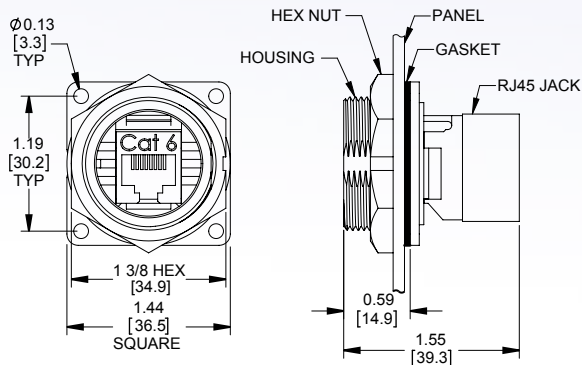
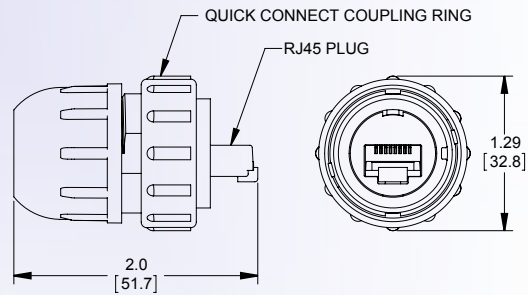
RJ45 Weathertight Connectors



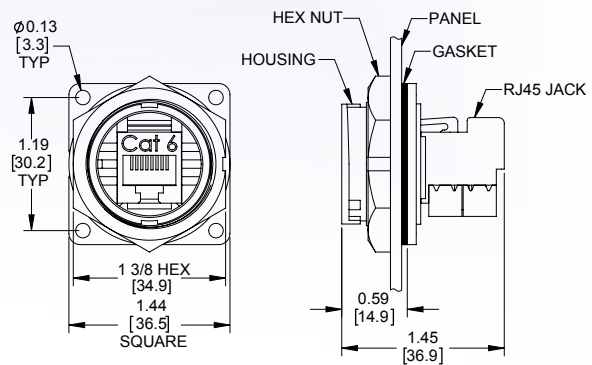
RJ45 FIELD INSTALLABLE CABLE PLUG ASSEMBLY (THREADED COUPLING)



RJ45 FIELD INSTALLABLE CABLE PLUG ASSEMBLY (QUICK CONNECT COUPLING)



RJ45 PANEL HOUSING IDC JACK (SHOWN WITH SHIELDED CAT 6 JACK) (SHOWN WITH THREADED HOUSING)



RJ45 PANEL HOUSING IDC RIGHT ANGLE JACK (SHOWN WITH NON-SHIELDED CAT 6 JACK) (SHOWN WITH QUICK CONNECT HOUSING)

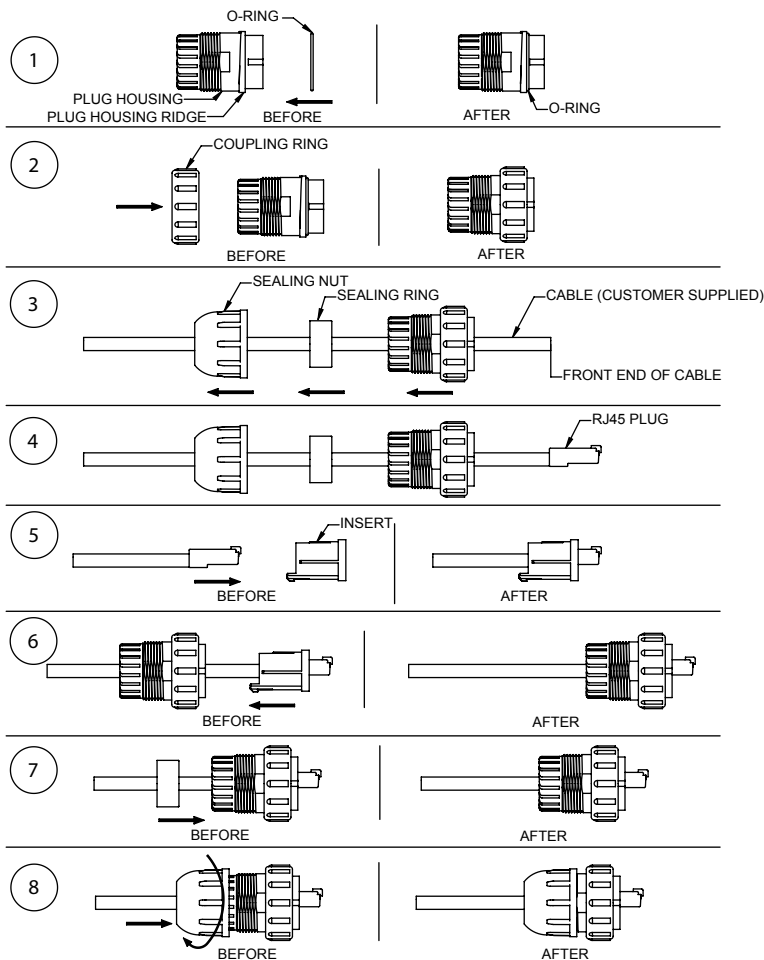
RJ45 Weathertight Connectors

Part Number Charts

DCC	RJ6	X	X	310
RJ45 FIELD INSTALLABLE CABLE PLUG ASSEMBLY	PLUG TYPE	PLUG SHIELDING	COUPLING TYPE	SERIES
DCC	RJ6 = RJ45 CAT 6	BLANK = UNSHIELDED S = SHIELDED	B = QUICK CONNECT T = THREADED	310

DCP	XXX	X	X	XX
RJ45 FIELD INSTALLABLE PANEL HOUSING ASSEMBLY	JACK TYPE	JACK SHIELDING	COUPLING TYPE	SERIES
DCP	RJ5 = RJ45 CAT 5e RJ6 = RJ45 CAT 6	BLANK = UNSHIELDED S = SHIELDED	B = QUICK CONNECT T = THREADED	F = FEED-THRU (TO SAME CONNECTOR) SD = IDC, STRAIGHT RD = IDC, RIGHT ANGLE

Assembly Instructions



- Slide the O-ring onto the front end of the plug housing until it seats up against the ridge on the plug housing
- Slide the coupling ring over the plug housing
NOTE: Make sure the front of the coupling ring can slide past the ridge on the plug housing. If not, it is inserted the wrong way
- Slide the sealing nut, sealing ring and plug housing/ coupling ring over the front end of the cable in the following order:
1st sealing nut
2nd sealing ring
3rd plug housing / coupling ring
- Terminate the RJ45 plug to the cable
NOTE: See supplemental termination guide for cable termination instructions
- Slide the RJ45 plug into the back end of the insert until it snaps into place
- Slide the insert/RJ45 plug into the front end of the plug housing until it snaps into place
- Push the sealing ring into the rear of the plug housing
NOTE: No part of the sealing ring should extend past the rear of the plug housing
- Screw the sealing nut onto the plug housing