



**HESTORE.HU**

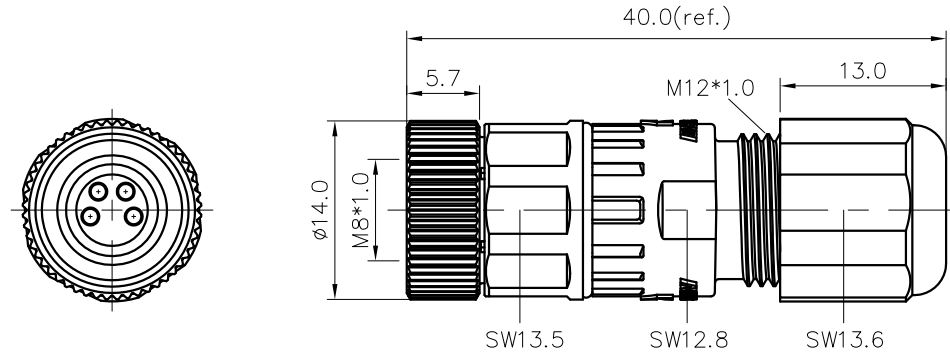
elektronikai alkatrész áruház

**EN:** This Datasheet is presented by the manufacturer.

Please visit our website for pricing and availability at [www.hestore.hu](http://www.hestore.hu).

REVISION RECORD

REV	ECN	DESCRIPTION	DRFT	DATE
-----	-----	-------------	------	------

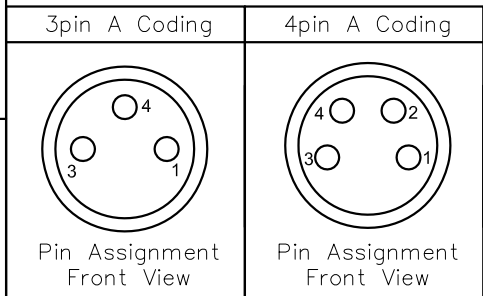


PB-M8A-XXP-FF-SL7001-00A(H)

Pin number: 03,04

NOTES:

- Rated voltage/current : 3pin:60V / 3A  
4pin:60V / 3A
- Withstanding voltage : AC800V/1Min
- Levels of protection:IP67
- Wire range : 3pin: 24~22AWG/0.25~0.34mm<sup>2</sup>  
4pin: 24~22AWG/0.25~0.34mm<sup>2</sup>
- Cable range : 4~6mm
- Wire connection mode:screw
- Operating temperature: -40°C~+85°C
- RoHS Compliance



DETACHED LISTS	PART NO.: PBM8AXXPFSL700100AH	宁波高松电子有限公司 NINGBO DEGSON ELECTRICAL CO., LTD		
	APPD:	NAME: PB-M8A-XXP-FF-SL7001-00A(H)		
	CHKD:	TITLE: CUSTOMER DRAWING		
	DRFT: LZ 2018.10.20	REV	D0-1	
<p>THIRD ANGLE PROJECTION</p>		DRAWING NO.: XXXXXXXX-XX-CXX	SHEET	1/1
<p>MM (INCH)</p>		DO NOT SCALE DRAWING	SCALE	1:1