

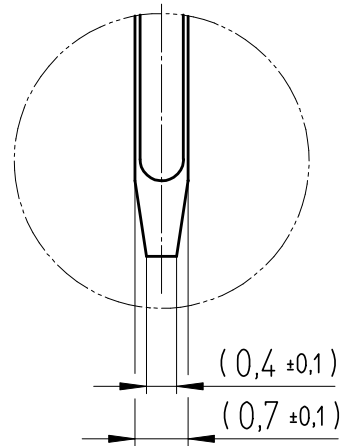
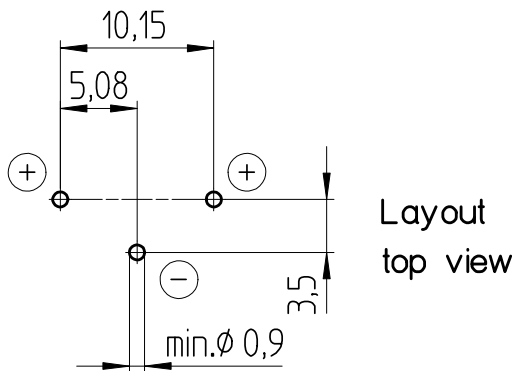
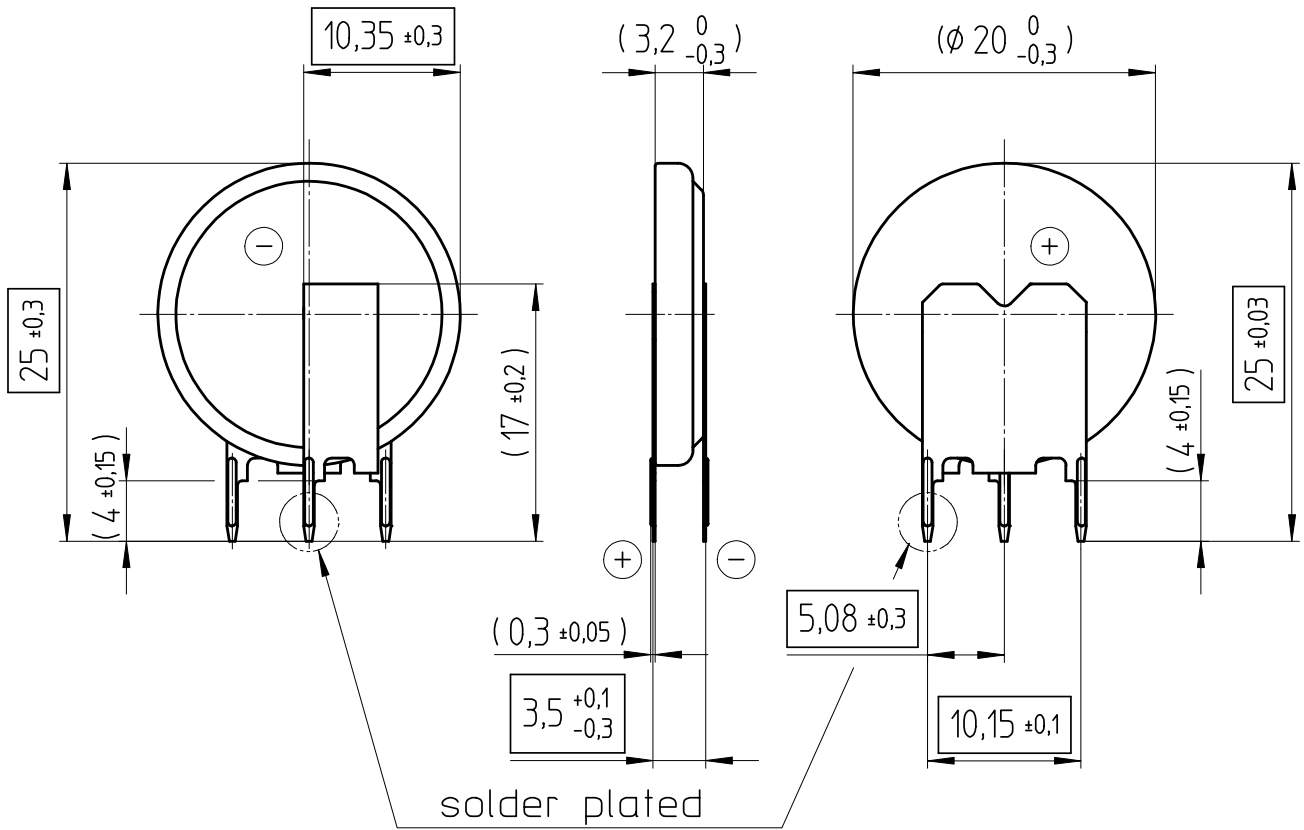


HESTORE.HU

elektronikai alkatrész áruház

EN: This Datasheet is presented by the manufacturer.

Please visit our website for pricing and availability at www.hestore.hu.



- Samples can deviate in the execution from the serie.

- Dimensions and tolerances can be specified only after the testing of the devices for the mass production definitely

Tab material: Stainless steel

All framed values will be used for dimension checking !

Rev.	○		Rev.	○			Customer's Approval			
Rev.	○		Rev.	○			Date			
Rev.	○		Rev.	○			Signature			
Titel:						Scale	Drawn	15.08.06	SRi	
CR2032RV-MFR							2:1	Checked	15.08.06	FKo
							Approved			
						CH-4452 Itingen		3.9098.4-		
						Switzerland				