

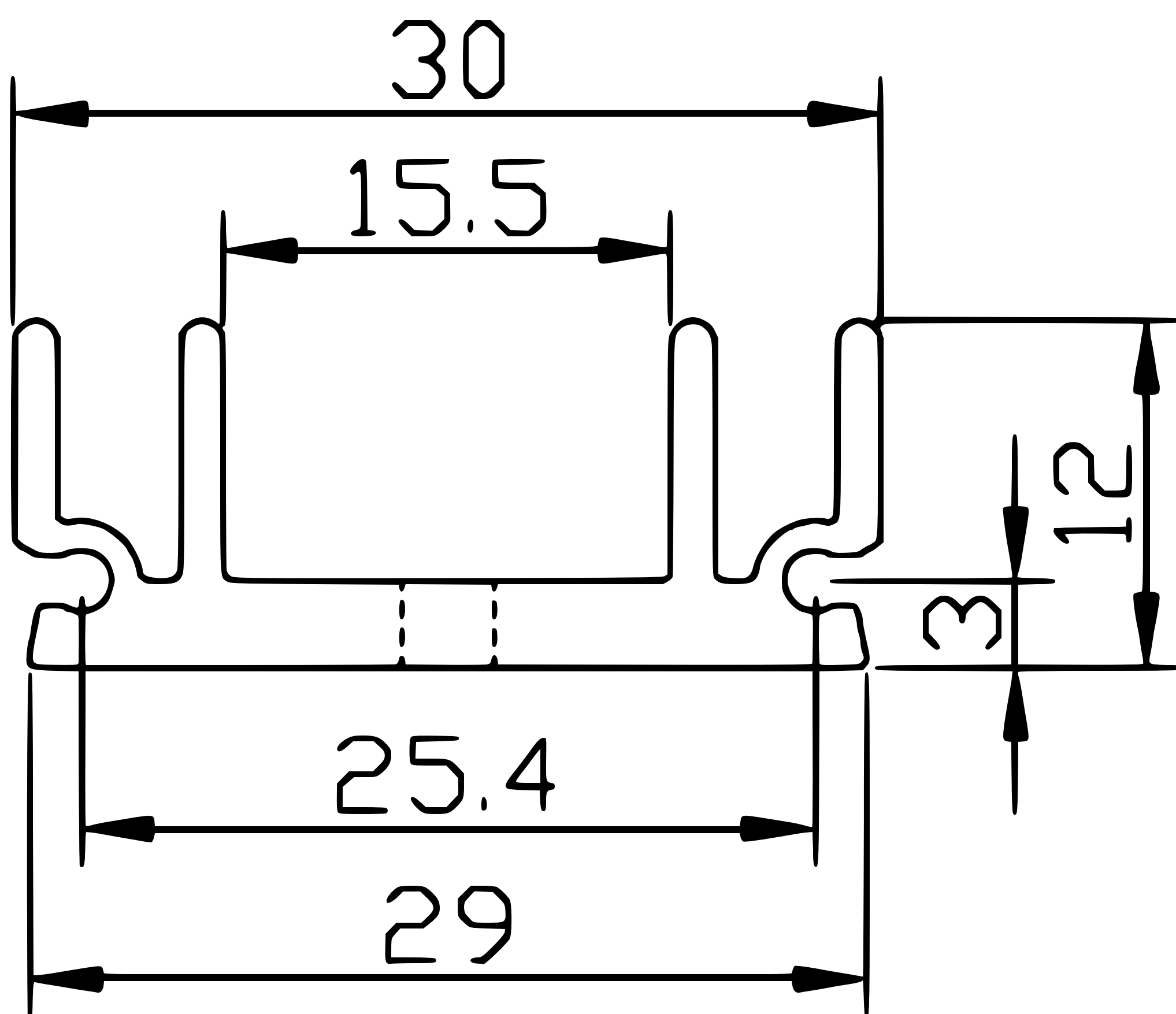
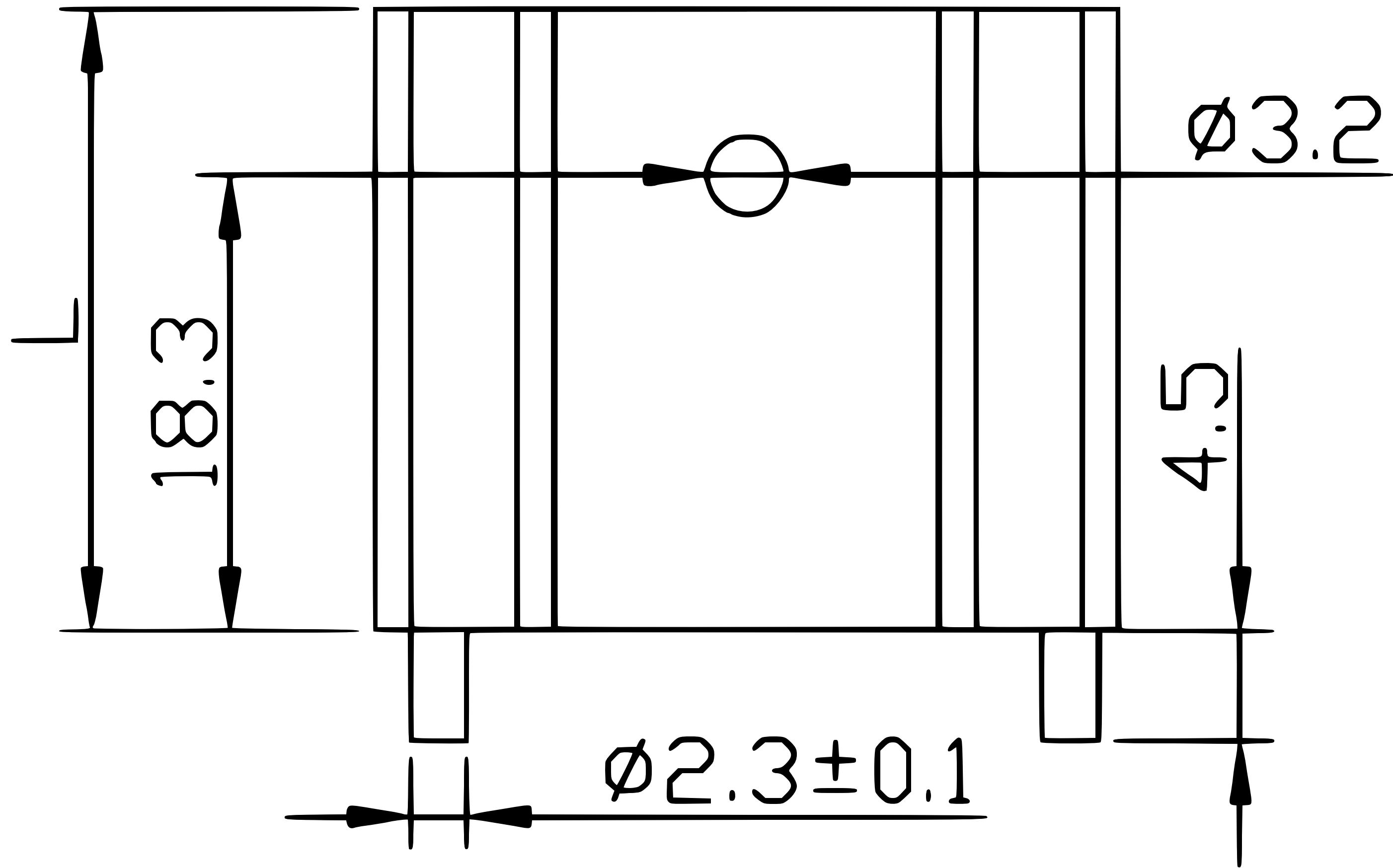


HESTORE.HU

elektronikai alkatrész áruház

EN: This Datasheet is presented by the manufacturer.

Please visit our website for pricing and availability at www.hestore.hu.



SYMBOL	L
HS-130-25	25.0
HS-130-38	37.5
HS-130-50	50.0

STONECOLD

TOLERANCE
UNIT ±0.2
.0 ±0.
.00 ±0.0
.000 ±0.00

MATERIAL
AL6063-T5

FINISHED
BLACK ANODIZE

SCALE:

DIMENSIONS IN MM

TITLE:
HEAT SINK

PART NO:
HS-130