



HESTORE.HU

elektronikai alkatrész áruház

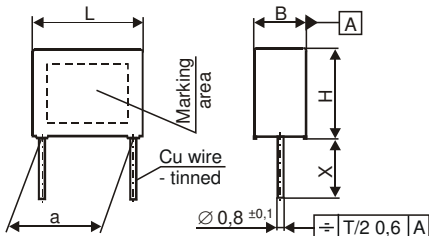
EN: This Datasheet is presented by the manufacturer.

Please visit our website for pricing and availability at www.hestore.hu.

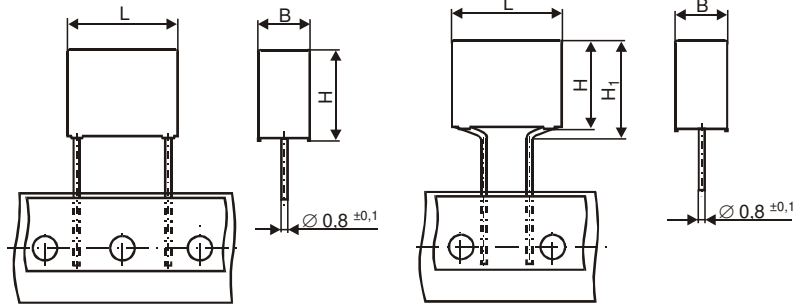
WXPC

INTERFERENCE SUPPRESSION CAPACITORS OF CLASS X2 / 275 VAC

WXPC – version 00, 01



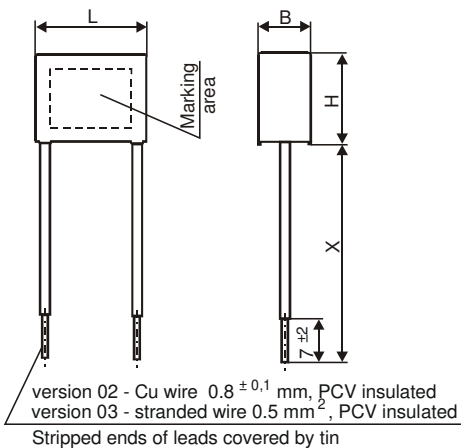
Taped



Lead spacing of 10.0 and 15.0 mm
– the pitch of holes on carrier tape
12.7 mm

Lead spacing of 10.0 and 15.0 mm
– crimped to the lead spacing of 7.5 mm
– the pitch of holes on carrier tape
15.0 mm

WXPC – version 02,03



Standard lead lengths

$X = 6 \pm 1$ mm for version 00

$X = 35 \pm 5$ mm for version 01; 02; 03

APPLICATION

The WXPC interference suppression capacitors of class X2 are designed to attenuate RFI signals in electronic / electrical equipment supplied with AC voltage not exceeding 275 V with the frequency of 50/60 Hz.

CONSTRUCTION

Non-inductive metallized polypropylene winding encapsulated in self-extinguishing material meeting the requirements of UL 94 V-0.

REQUIREMENTS

The WXPC capacitors meet the requirements of EN 60384-14 standard for class X2. This product fulfils the requirements of the RoHS Directive (2002/95/EC).

MIFLEX S.A.

ZAKŁADY PODZESPOŁÓW RADIOWYCH
99-300 KUTNO, UL. GRUNWALDZKA 3, POLAND

Tel.: (48) (24) 355 11 00-02

Fax: (48) (24) 355 11 88

E-mail: miflex@miflex.com.pl


page 1
pages 2

Revision date: 06.02.2008

INTERFERENCE SUPPRESSION CAPACITORS OF CLASS X2 / 275 VAC

TECHNICAL DATA

- Rated voltage – 275 Vac 50/60 Hz
- Dissipation factor – ≤ 0.0010 at $f = 1$ kHz for $C_R > 1.0 \mu\text{F}$
- ≤ 0.0010 at $f = 10$ kHz for $C_R \leq 0.1 \mu\text{F}$
- ≤ 0.0050 at $f = 10$ kHz for $0.1 \mu\text{F} < C_R \leq 1.0 \mu\text{F}$
- Insulation resistance – $\geq 30\,000 \text{ M}\Omega$ for $C_R \leq 0.33 \mu\text{F}$
- $\geq 10\,000 \text{ M}\Omega \times \mu\text{F}$ for $C_R > 0.33 \mu\text{F}$
- Production voltage test – The 100 % screening factory test is carried out at 2150 Vdc per 1 sec. All electrical characteristics are checked after the test.
- Voltage change rate [du/dt] – 100 V/ μs
- Climatic category – 40/100/56/C
- Standard – WT-04/MIFLEX/WXP + App. No 2

Code	Version	Rated capacitance	Dimensions					Safety approvals
			L ± 0.3	H ± 0.3	H ₁ max	B ± 0.3	a	
								EN 60384-14 275 Vac
–	–	μF	mm	mm	mm	mm	mm	
WXPC-103K or M	00; 01	0.010	13.0	10.5	12.5	4.5	10.0 ± 0.5	•
WXPC-153K or M		0.015						•
WXPC-223K or M		0.022						•
WXPC-333K or M		0.033		12.5	14.5	5.5		•
WXPC-473M		0.047		13.5	15.5			•
WXPC-473K or M	00; 01; 02; 03	0.047	18.0	10.5	12.5	6.5	15.0 ± 0.5	•
WXPC-683M		0.068						•
WXPC-104K or M		0.10	12.5	14.5	8.5	•		
WXPC-154K or M		0.15	14.5	16.5		•		
WXPC-224K or M		0.22	17.0	19.0		•		
WXPC-224K or M		0.22	26.5	15.5	–	7.5	22.5 ± 0.7	•
WXPC-274K or M		0.27						•
WXPC-334K or M		0.33						16.5
WXPC-474K or M		0.47	18.5	–	10.5	•		
WXPC-684K or M		0.68	20.5	–	11.5	•		
WXPC-105K or M	00; 01; 02; 03	1.0	31.5	23.5	–	13.5	27.5 ± 0.7	•
WXPC-155M		1.5						24.5

Capacitance tolerance:

- K → $\pm 10 \%$
- M → $\pm 20 \%$

Approvals in use = •

 **MIFLEX S.A.**

ZAKŁADY PODZESPOŁÓW RADIOWYCH
99-300 KUTNO, UL. GRUNWALDZKA 3, POLAND

Tel.: (48) (24) 355 11 00-02

Fax: (48) (24) 355 11 88

E-mail: miflex@miflex.com.pl

page 2

pages 2

Revision date: 06.02.2008