

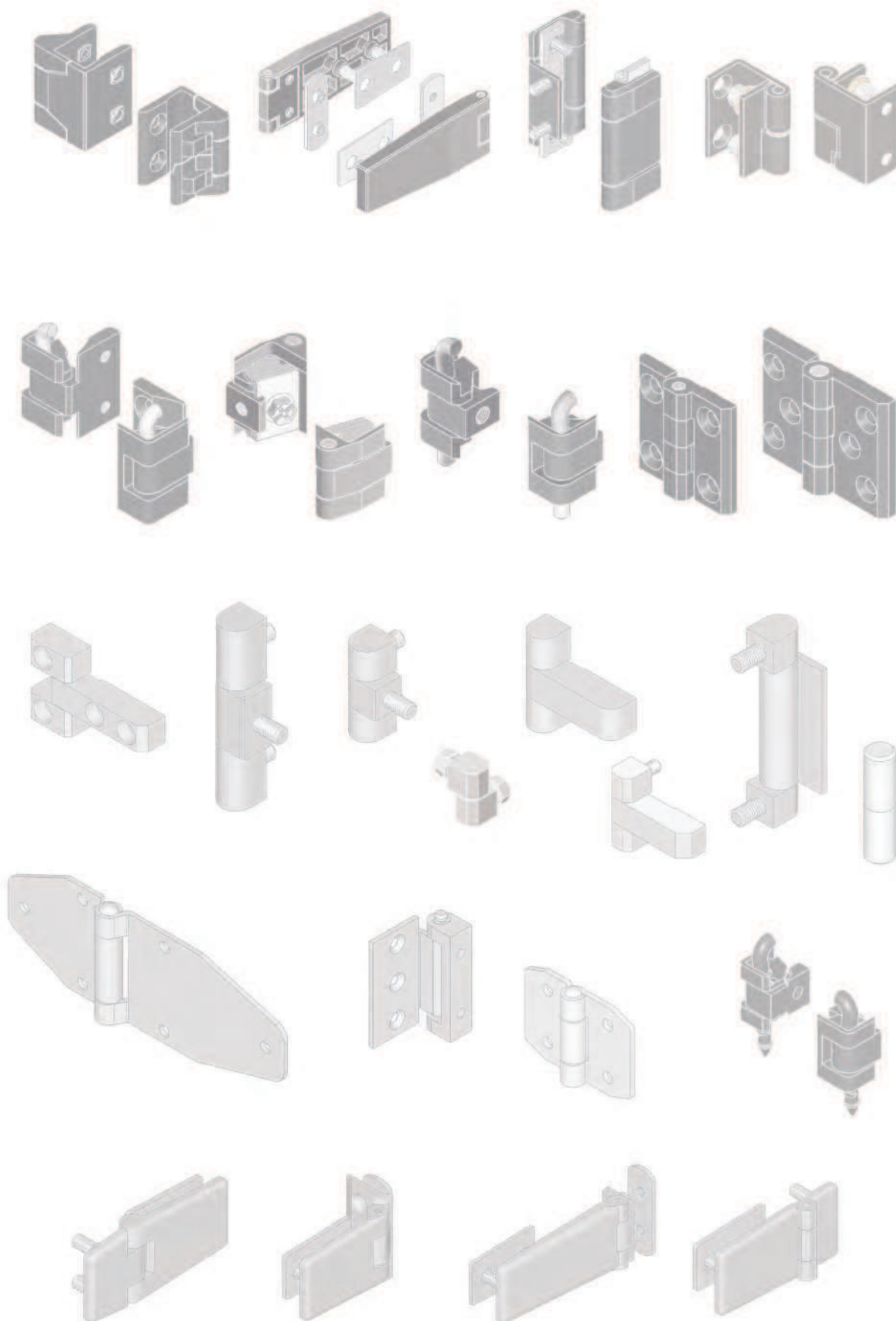


**HESTORE.HU**

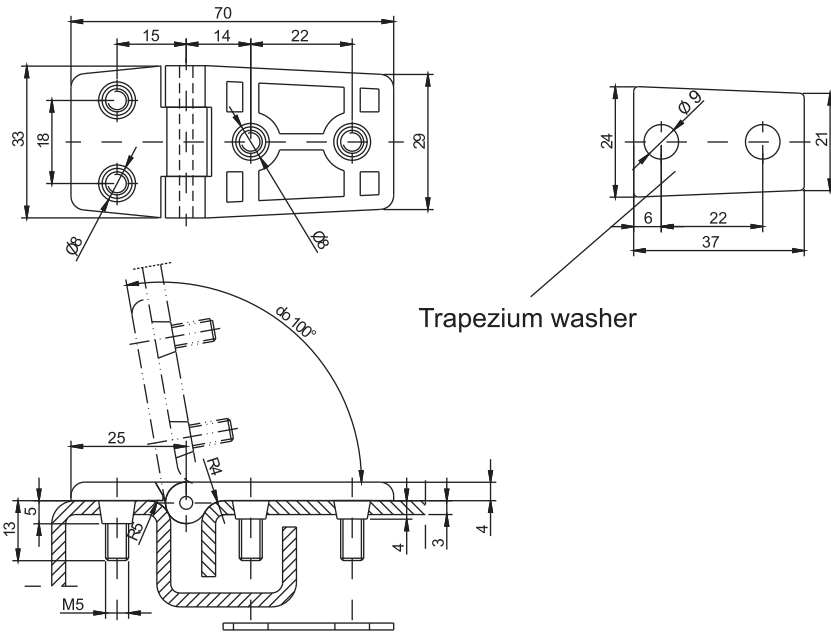
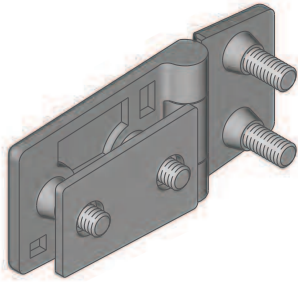
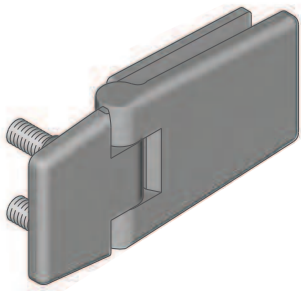
elektronikai alkatrész áruház

**EN:** This Datasheet is presented by the manufacturer.

Please visit our website for pricing and availability at [www.hestore.hu](http://www.hestore.hu).

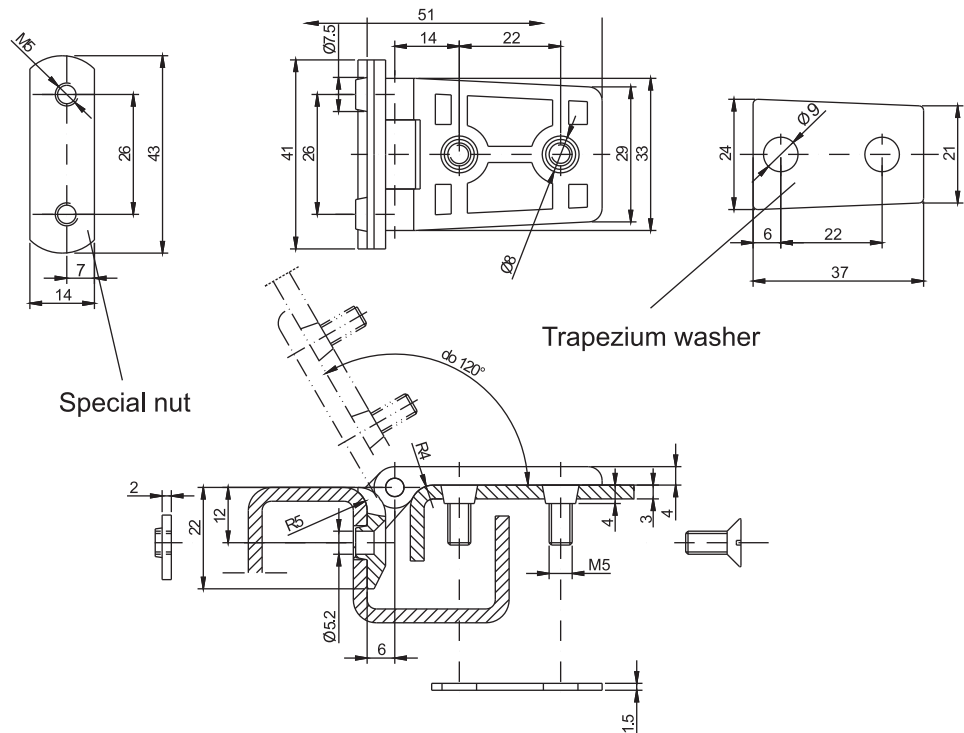
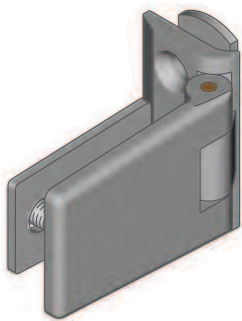
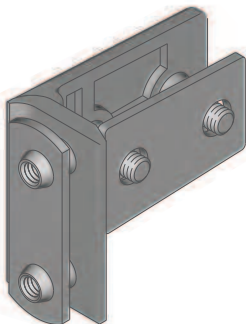


# EXTERNAL HINGES



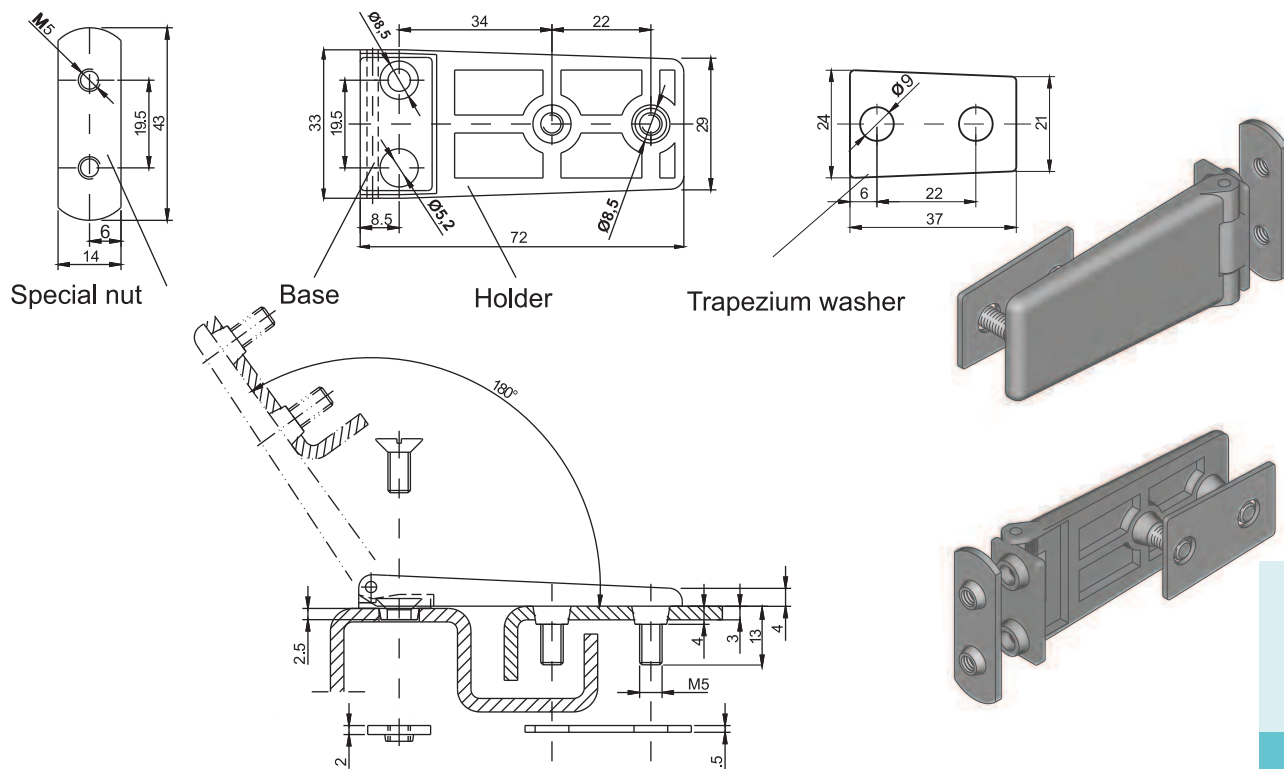
CATALOGUE NUMBER	FINISH	COMPONENTS	MATERIAL
3.ZN1.001	RAL 9005, 7035, *	Holder, Base, Pin	ZAMAK 5
		Washer, nut	Steel zinc plated

When ordering, specify the color or finishing type



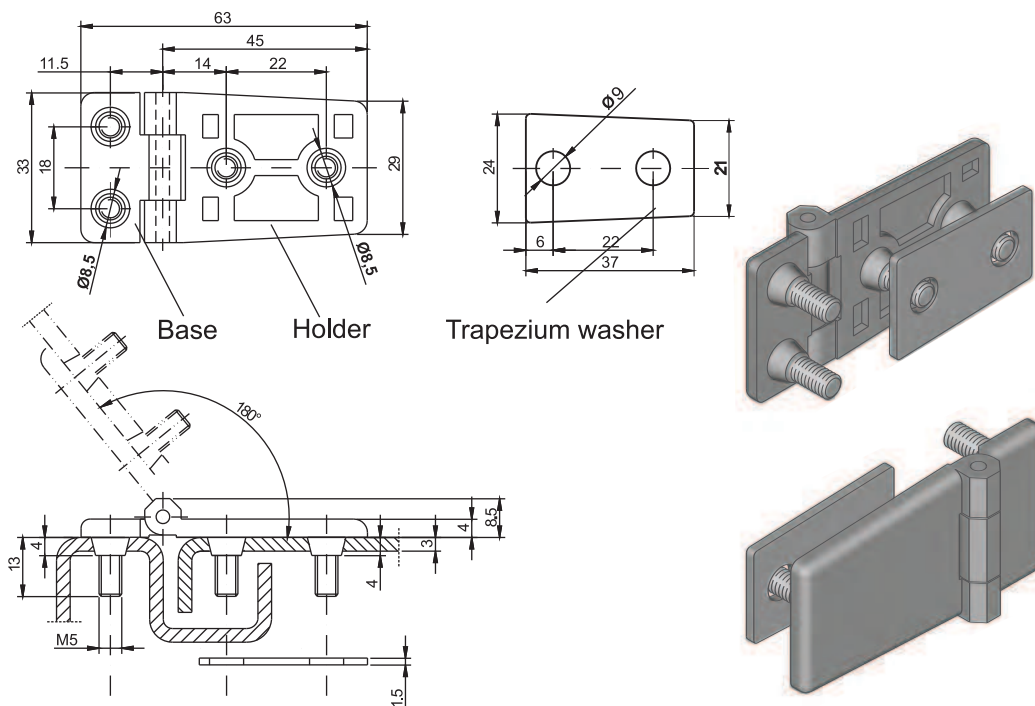
CATALOGUE NUMBER	FINISH	COMPONENTS	MATERIAL
3.ZN2.001	RAL 9005, 7035, *	Holder, Base, Pin	ZAMAK 5
		Washer, nut	Steel zinc plated

\* possibility to make a different color  
When ordering, specify the color or finishing type



CATALOGUE NUMBER	FINISH	COMPONENTS	MATERIAL
3.ZN3.001	RAL 9005, 7035, *	Holder, Base,	ZAMAK 5
		Pin Washer, nut	Steel zinc plated

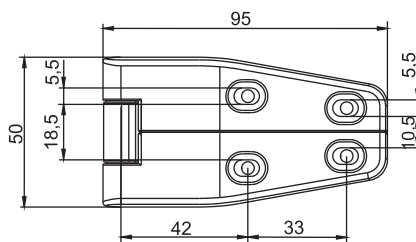
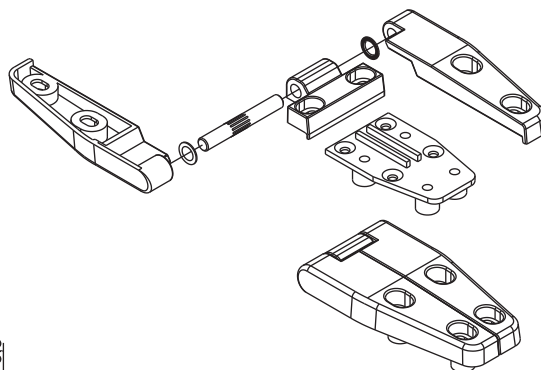
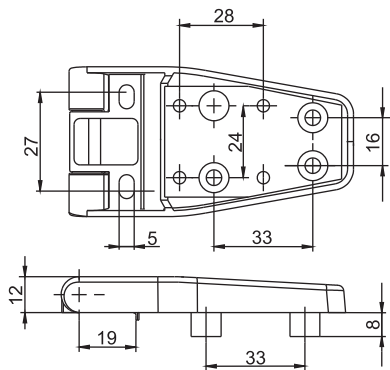
When ordering, specify the color or finishing type



CATALOGUE NUMBER	FINISH	COMPONENTS	MATERIAL
3.ZN4.001	RAL 9005, 7035, *	Holder, Base,	ZAMAK 5
		Pin Washer, nut	Steel zinc plated

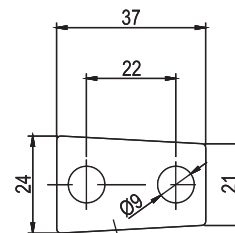
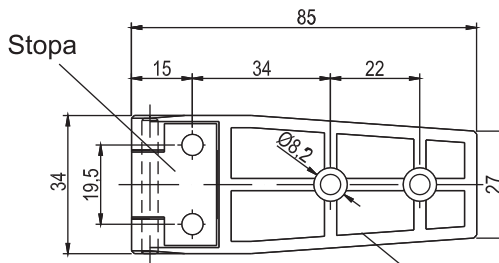
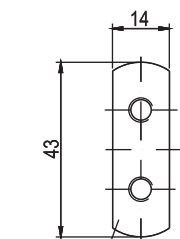
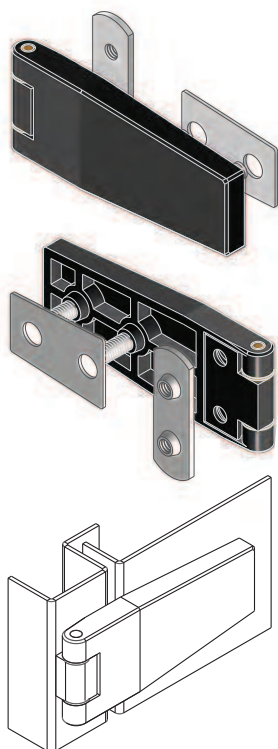
\* possibility to make a different color  
When ordering, specify the color or finishing type



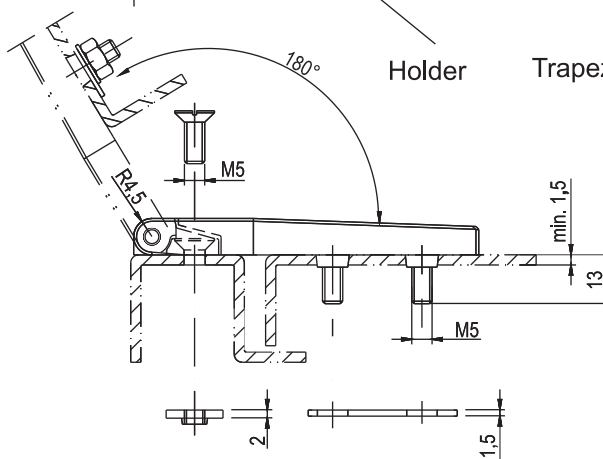
**NEW**


CATALOGUE NUMBER	FINISH	COMPONENTS	MATERIAL
3.ZN115.001	RAL 9005, 7035	Holder, Base,	ZAMAK 5
		Pin Washer, nut	Steel zinc plated

When ordering, specify the color or finishing type

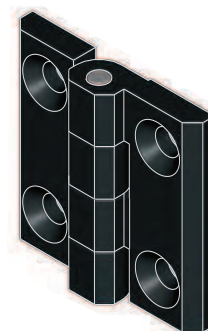
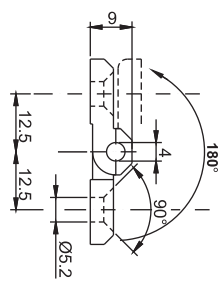
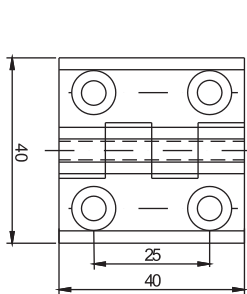


Special nut



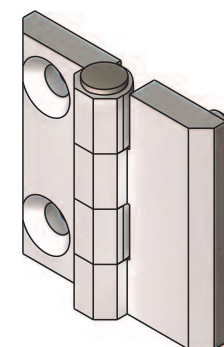
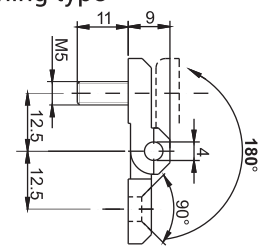
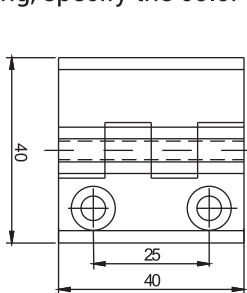
CATALOGUE NUMBER	FINISH	COMPONENTS	MATERIAL
3.ZN110.001	RAL 9005, 7035	Holder, Base,	ZAMAK 5
		Pin Washer, nut	Steel zinc plated

When ordering, specify the color or finishing type



CATALOGUE NUMBER	FINISH	COMPONENTS	MATERIAL
3.ZN60.001	Chrome RAL 9005,7035	Holder, Base	ZAMAK 5
3.ZN60.003	Burnish	Holder, Base	Stainless steel

When ordering, specify the color or finishing type

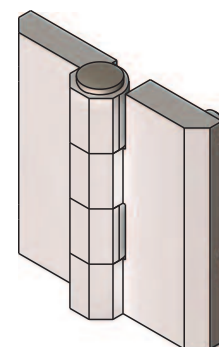
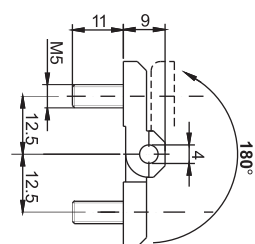
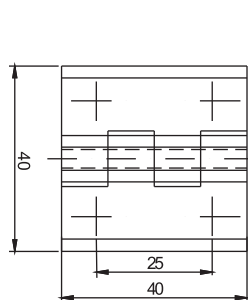


HINGES

3A

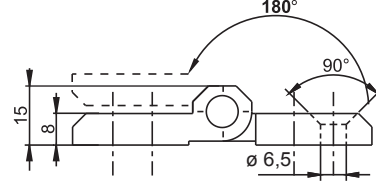
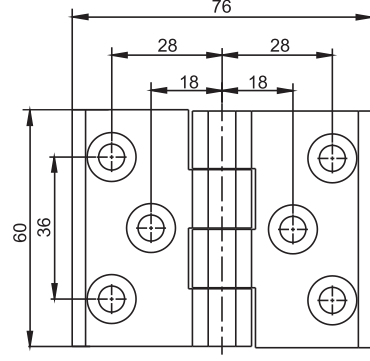
CATALOGUE NUMBER	FINISH	COMPONENTS	MATERIAL
3.ZN60.004	Chrome RAL 9005, 7035	Holder, Base	ZAMAK 5
		Screw	Steel zinc plated, *

When ordering, specify the color or finishing type



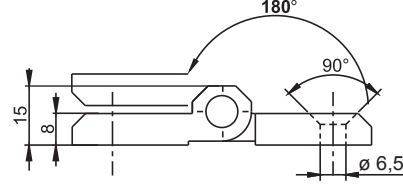
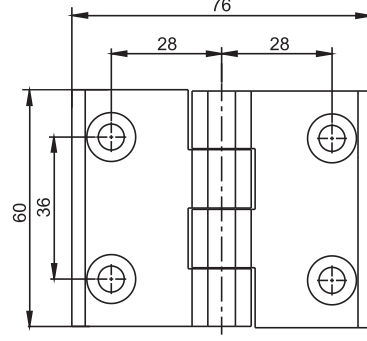
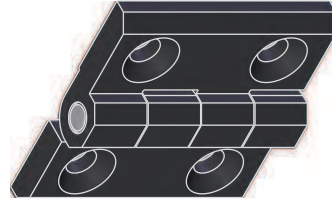
CATALOGUE NUMBER	FINISH	COMPONENTS	MATERIAL
3.ZN60.002	Chrome RAL 9005, 7035	Holder, Base	ZAMAK 5
		Screw	Steel zinc plated, *

\* possibility to order stainless steel pin.  
When ordering, specify the color or finishing type



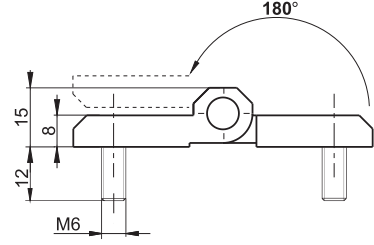
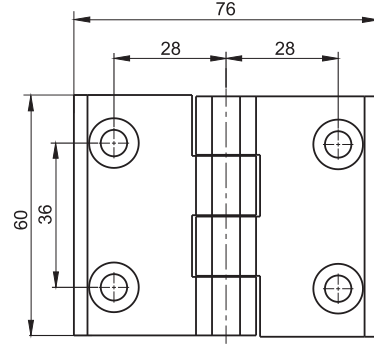
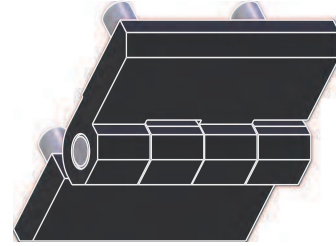
CATALOGUE NUMBER	FINISH	COMPONENTS	MATERIAL
3.ZN66.001	Chrome RAL 9005, 7035	Holder, Base	ZAMAK 5

When ordering, specify the color or finishing type



CATALOGUE NUMBER	FINISH	COMPONENTS	MATERIAL
3.ZN66.002	Chrome RAL 9005, 7035	Holder, Base	ZAMAK 5

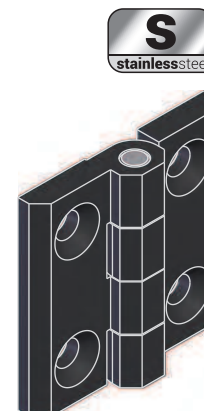
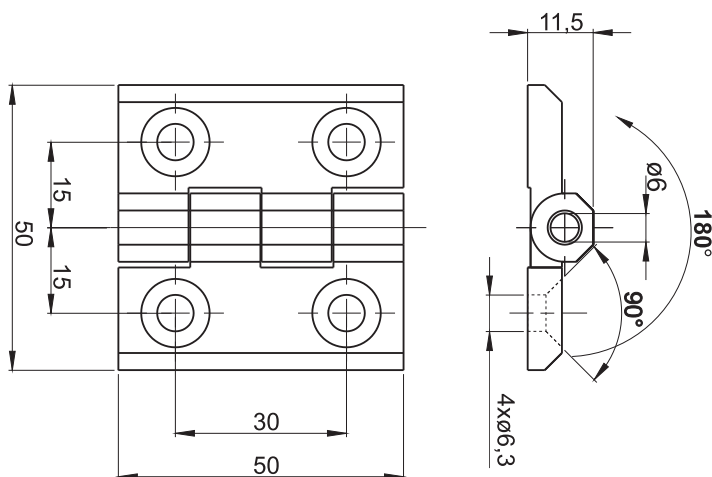
When ordering, specify the color or finishing type



CATALOGUE NUMBER	FINISH	COMPONENTS	MATERIAL
3.ZN66.003	Chrome RAL 9005, 7035	Holder, Base Screw	ZAMAK 5 Steel zinc plated, *

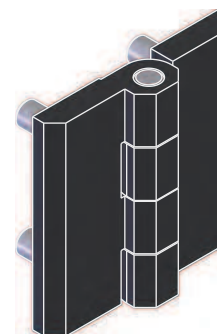
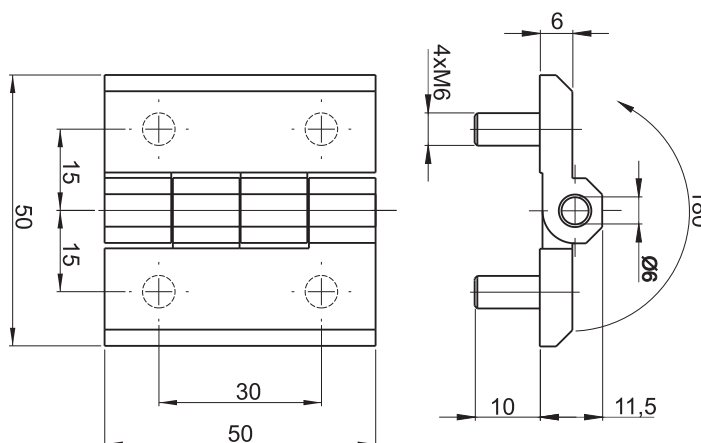
\* possibility to order stainless steel pin.

When ordering, specify the color or finishing type



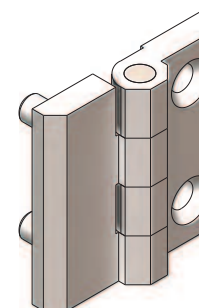
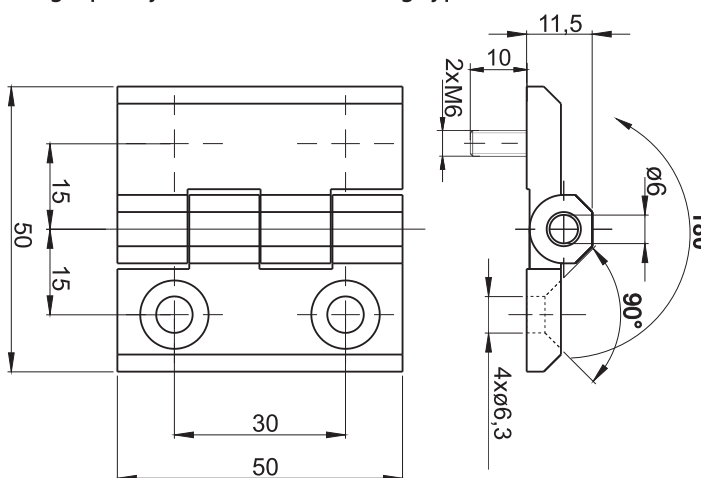
CATALOGUE NUMBER	FINISH	COMPONENTS	MATERIAL
3.ZN65.001	Chrome RAL 9005,7035	Holder, Base	ZAMAK 5
		Screw	Stainless steel

When ordering, specify the color or finishing type



CATALOGUE NUMBER	FINISH	COMPONENTS	MATERIAL
3.ZN65.002	Chrome RAL 9005, 7035	Holder, Base	ZAMAK 5
		Screw	Steel zinc plated, *

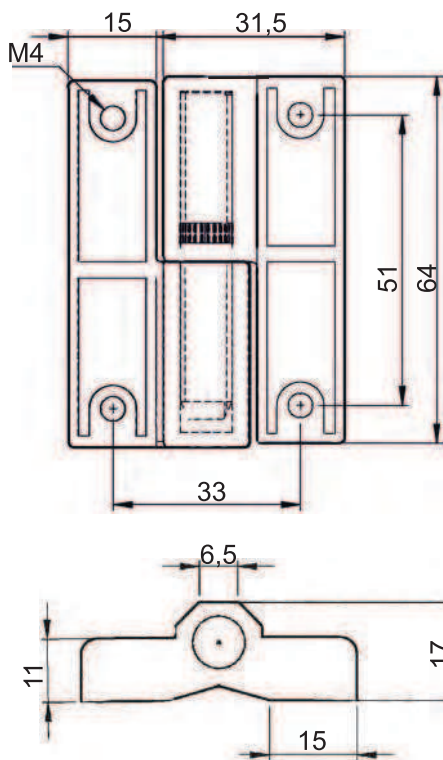
When ordering, specify the color or finishing type



CATALOGUE NUMBER	FINISH	COMPONENTS	MATERIAL
3.ZN65.003	Chrome RAL 9005, 7035	Holder, Base	ZAMAK 5
		Screw	Steel zinc plated, *

\* possibility to order stainless steel pin.  
When ordering, specify the color or finishing type

**NEW**



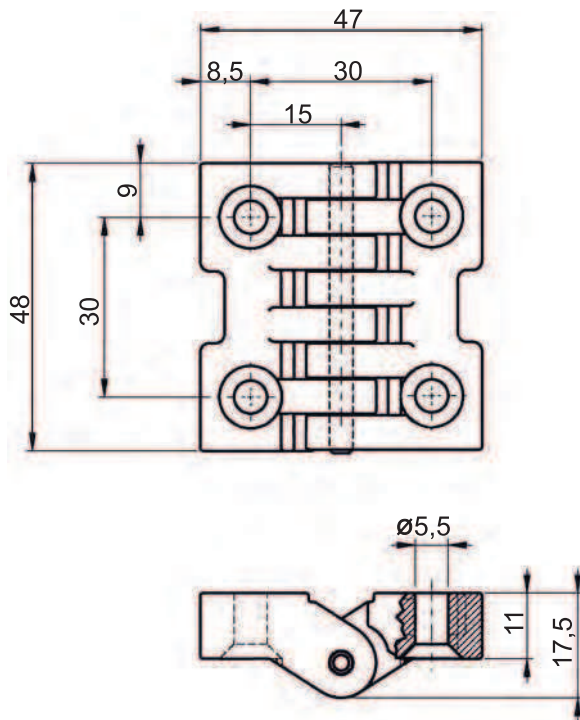
HINGES

3A

CATALOGUE NUMBER	FINISH	COMPONENTS	MATERIAL
3.526.001	Chrome RAL 9005,7035	Holder, Base	ZAMAK 5
		Pin	Steel zinc plated

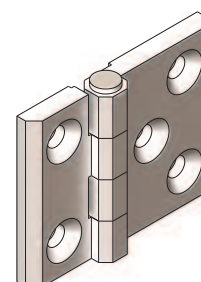
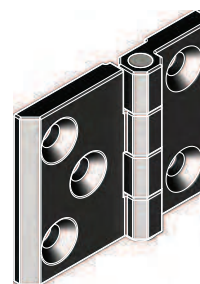
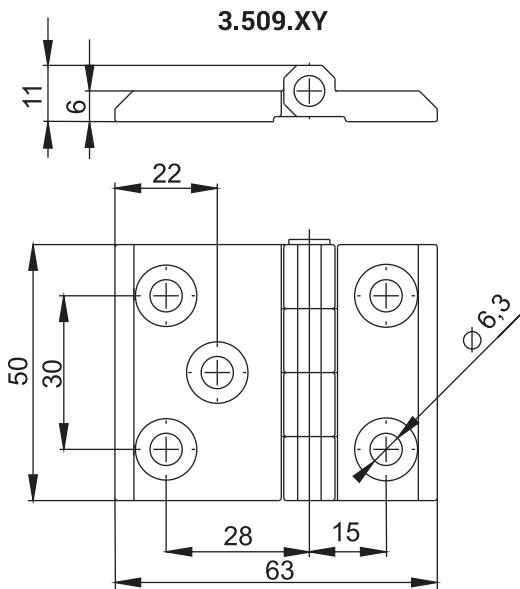
**NEW**

When ordering, specify the color or finishing type

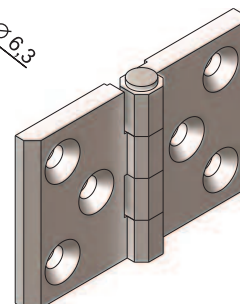
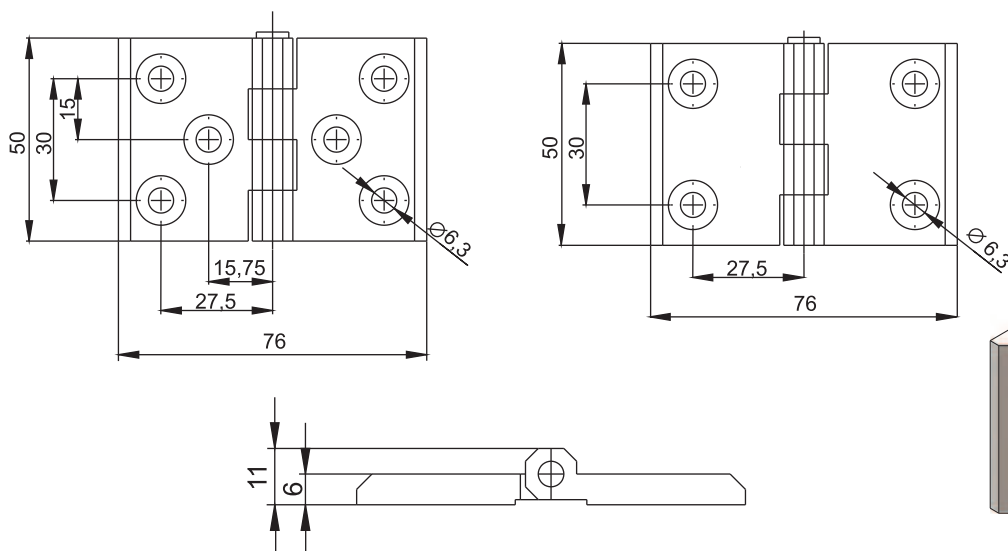


CATALOGUE NUMBER	FINISH	COMPONENTS	MATERIAL
3.527.001	Chrome RAL 9005, 7035	Holder, Base	Polyamide
		Pin	Steel zinc plated

When ordering, specify the color or finishing type



3.510.XY



where:

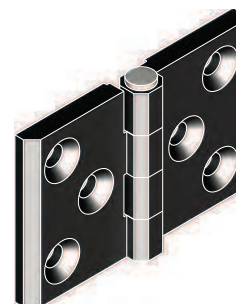
X - the way of assembling the hinge

- 0 - version with 4 holes
- 1 - version with 5 holes
- 2 - version with 6 holes

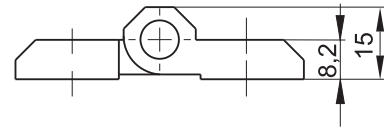
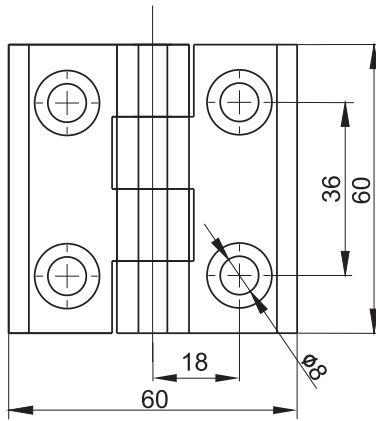
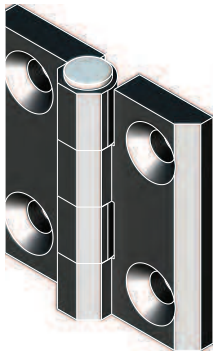
Y - finish

- 1 - Chrome
- 2 - RAL 9005
- 3 - Polyamide

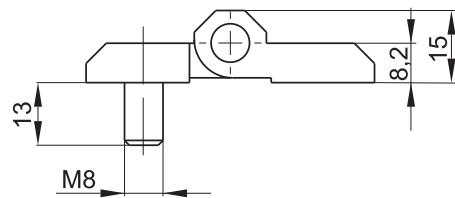
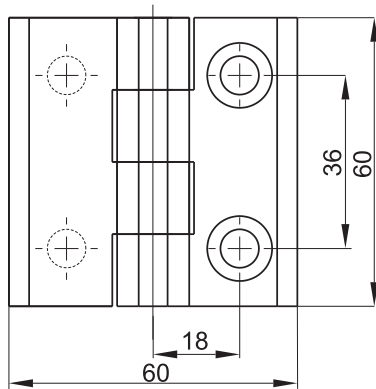
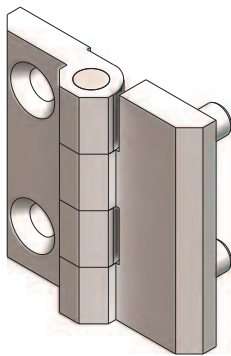
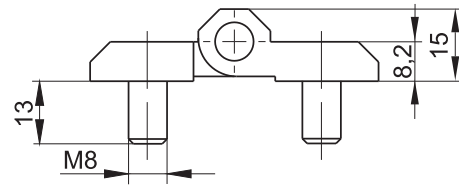
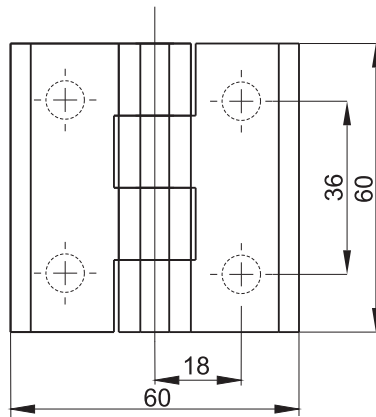
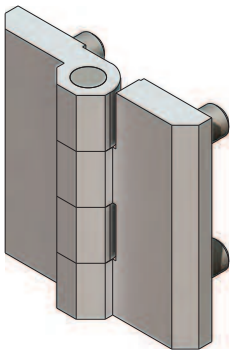
HINGE	FINISH		
3.509.XY	11	12	-
3.510.XY	21	22	23
	01	02	-



CATALOGUE NUMBER	COMPONENTS	MATERIAL
3.509.XY	Holder, Base	ZAMAK 5
3.510.XY	Pin	Steel zinc plated



Use screws M8 DIN965

**HINGES**
**3A**


HINGE	FINISH	
	3.511.XY	11
21		22
31		32

where:

X - the way of assembling the hinge

- 1 - version with 4 holes
- 2 - version with 4 threaded pins
- 3 - version with 2 holes and 2

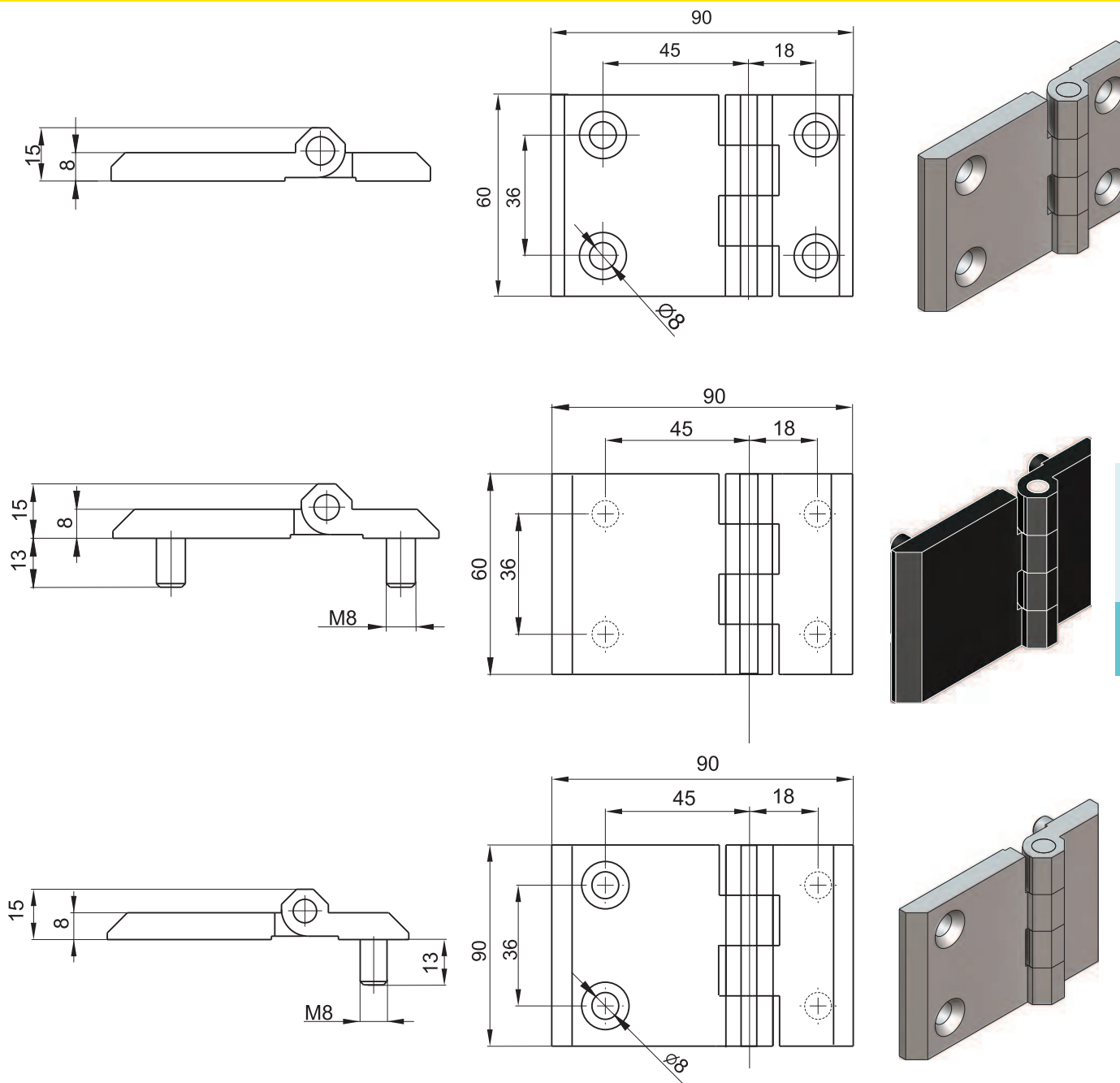
Y - finish

- 1 - Chrome
- 2 - RAL 9005

CATALOGUE NUMBER	COMPONENTS	MATERIAL
3.511.XY*	Holder, Base	ZAMAK 5
	Pin	Steel zinc plated

\* possibility to order stainless steel pin.



**HINGE 3.512**


HINGES  
3A

where:

X - the way of assembling the hinge

- 1 - version with 4 holes
- 2 - version with 4 threaded pins
- 3 - version with 2 holes and 2 threaded pins

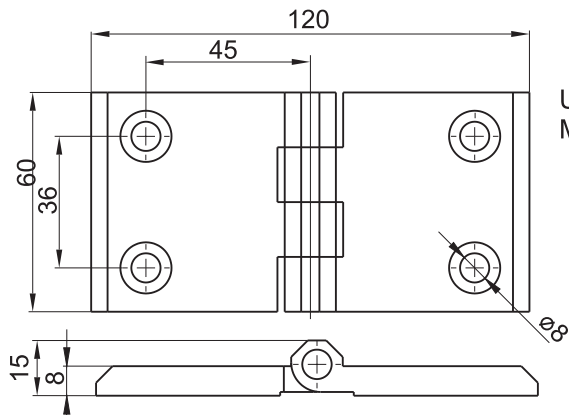
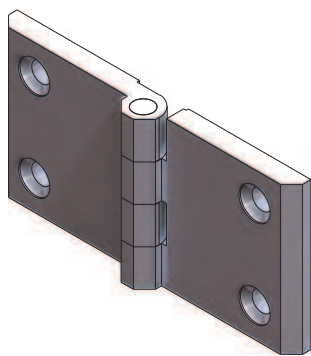
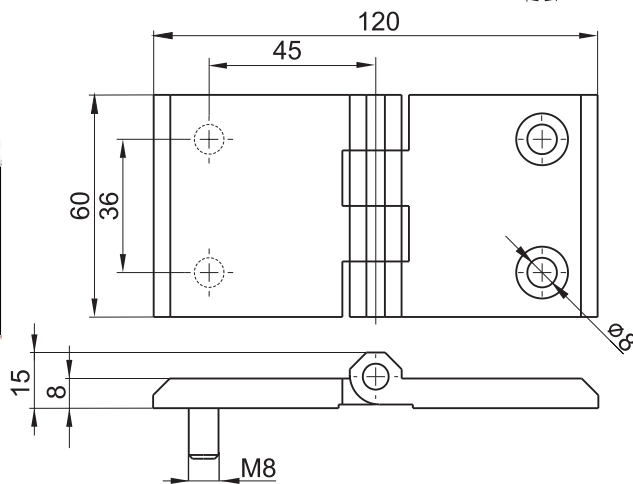
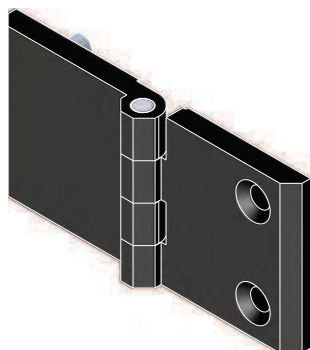
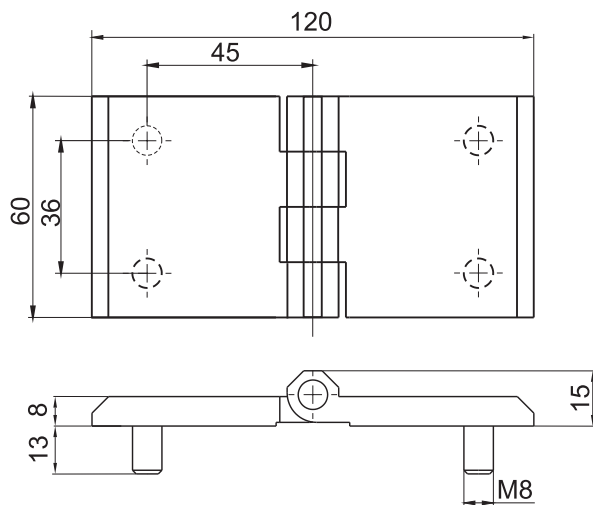
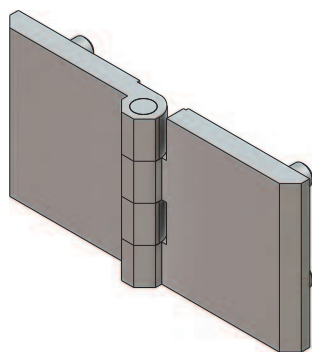
Y - finish

- 1 - Chrome
- 2 - RAL 9005

HINGE	FINISH	
	3.512.XY	11
21		22
31		32

CATALOGUE NUMBER	COMPONENTS	MATERIAL
3.512.XY*	Holder, Base	ZAMAK 5
	Pin	Steel zinc plated

\* possibility to order stainless steel pin.


 Use screws  
 M8 DIN965


HINGE	FINISH	
3.513.XY	11	12
	21	22
	31	32

where:

X - the way of assembling the hinge

1 - version with 4 holes

2 - version with 4 threaded pins

3 - version with 2 holes and 2 threaded pins

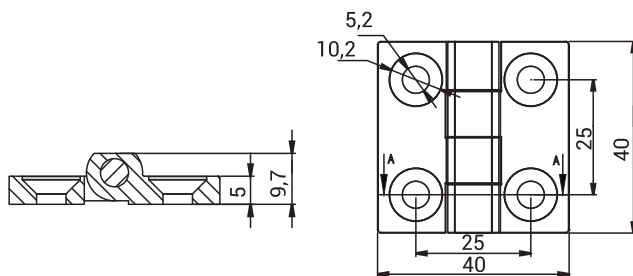
Y - finish

1 - Chrome

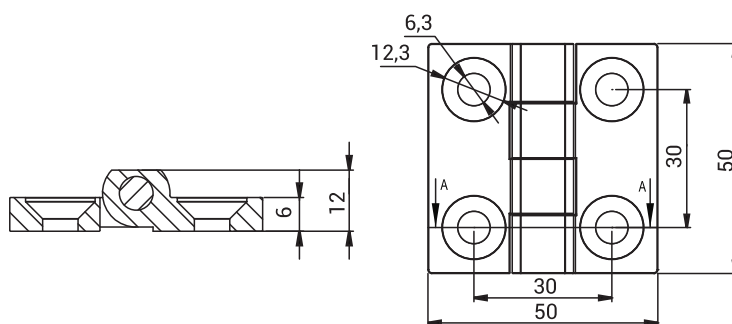
2 - RAL 9005

CATALOGUE NUMBER	COMPONENTS	MATERIAL
3.513.XY*	Holder, Base	ZAMAK 5
	Pin	Steel zinc plated

\* possibility to order stainless steel pin.



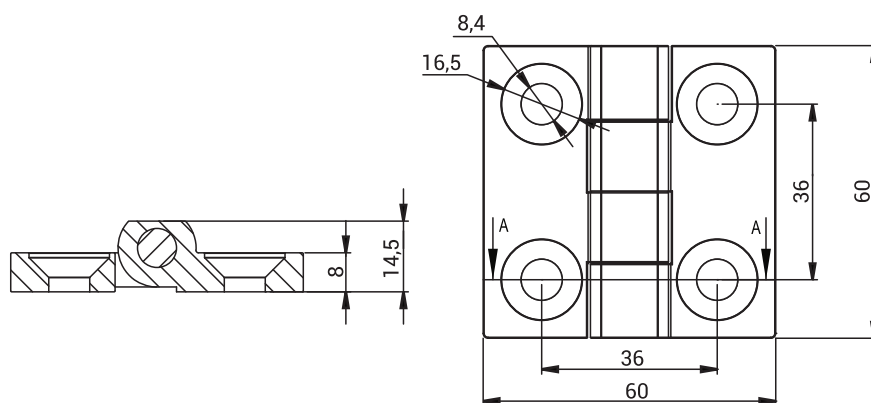
CATALOGUE NUMBER	FINISH	COMPONENTS	MATERIAL
3.540.001	RAL 9005	Holder, Base	Stainless steel



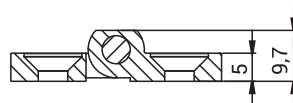
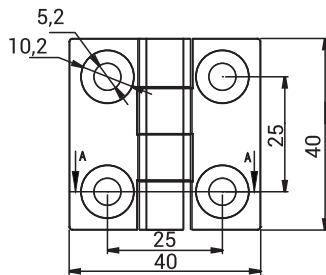
HINGES

3A

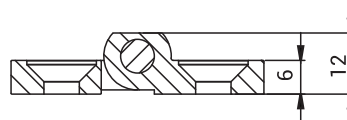
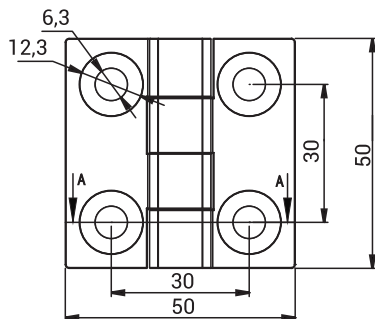
CATALOGUE NUMBER	FINISH	COMPONENTS	MATERIAL
3.540.002	RAL 9005	Holder, Base	Stainless steel



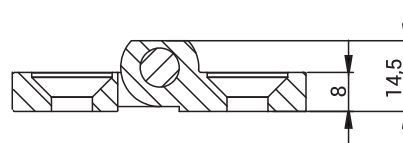
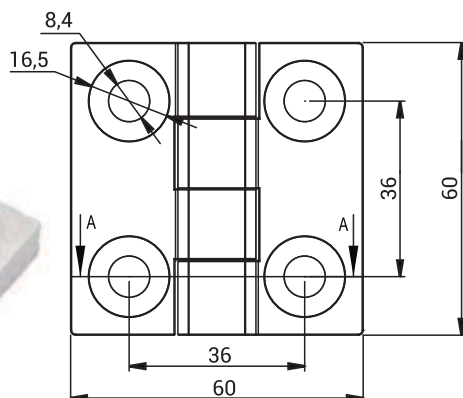
CATALOGUE NUMBER	FINISH	COMPONENTS	MATERIAL
3.540.003	RAL 9005	Holder, Base	Stainless steel



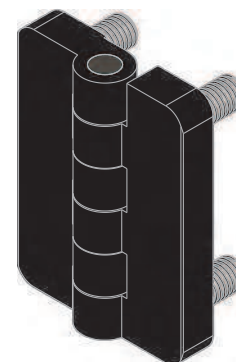
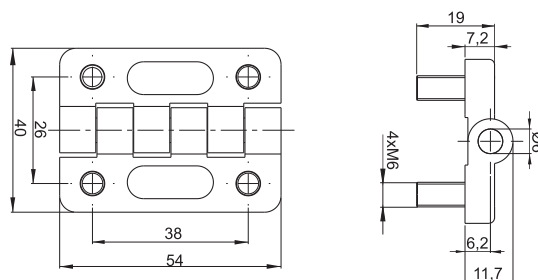
CATALOGUE NUMBER	FINISH	COMPONENTS	MATERIAL
3.541.001	Burnish	Holder, Base	Stainless steel



CATALOGUE NUMBER	FINISH	COMPONENTS	MATERIAL
3.541.002	Burnish	Holder, Base	Stainless steel



CATALOGUE NUMBER	FINISH	COMPONENTS	MATERIAL
3.541.003	Burnish	Holder, Base	Stainless steel

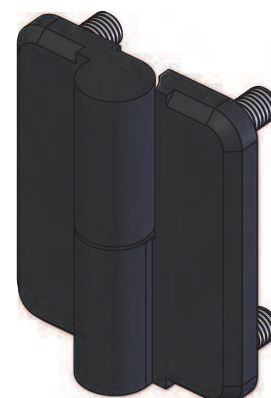
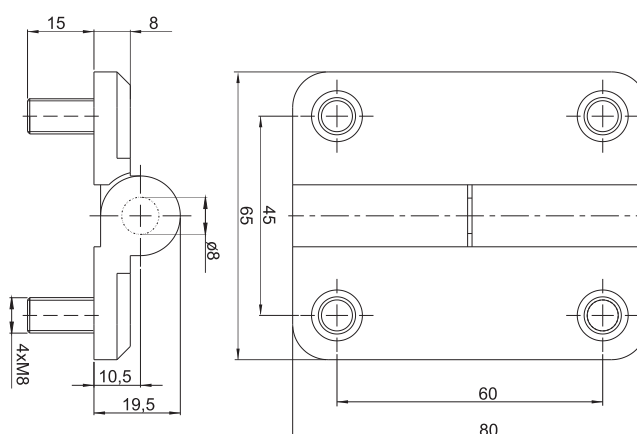


CATALOGUE NUMBER	FINISH	COMPONENTS	MATERIAL
3.ZN68.001*	RAL 9005	Holder, Base	ZAMAK 5
		Pin	Steel zinc plated



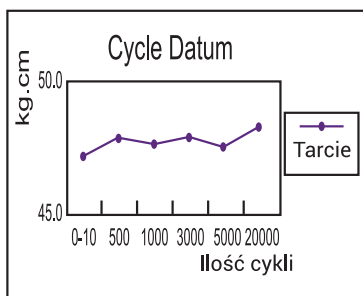
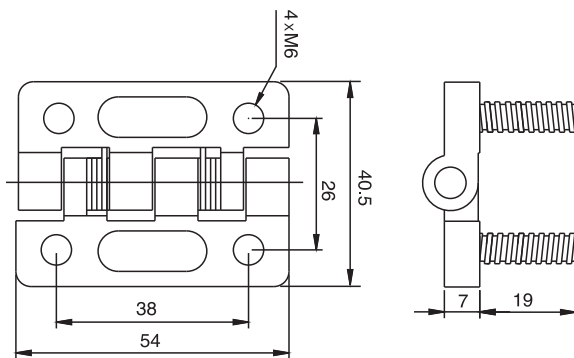
**VERSION RIGHT**  
3.ZN67.001  
3.ZN67.003

**VERSION LEFT**  
3.ZN67.002  
3.ZN67.004

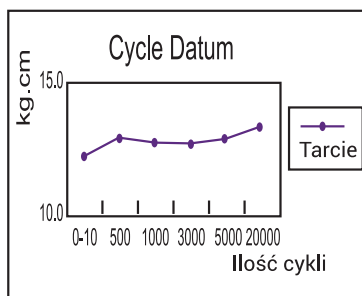


CATALOGUE NUMBER	FINISH	COMPONENTS	MATERIAL
3.ZN67.001*	RAL 9005	Holder, Base	ZAMAK 5
3.ZN67.002*		Pin	Steel zinc plated
3.ZN67.003*	RAL 7035	Holder, Base	ZAMAK 5
3.ZN67.004*		Pin	Steel zinc plated

\* possibility to order stainless steel pin.

**NEW**


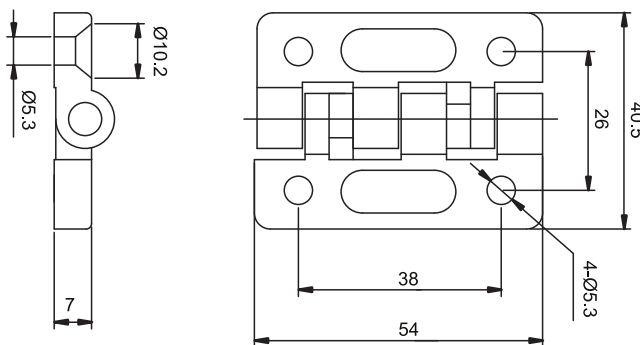
Hinge 3.543.001



Hinge 3.543.002

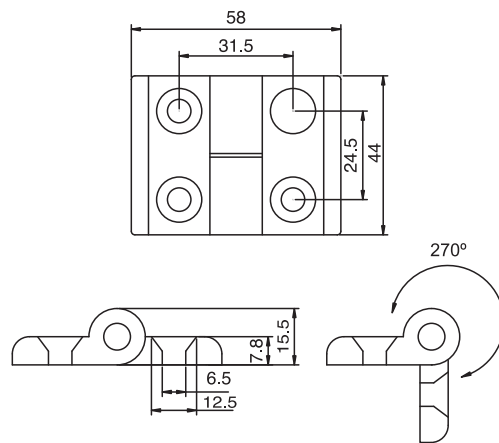
Type	Torque
3.543.001	47 kg.cm ± 15%
3.543.002	12 kg.cm ± 15%

CATALOGUE NUMBER	FINISH	COMPONENTS	MATERIAL
3.543.001	RAL9005	Holder, Base	ZAMAK5
3.543.002		Pin	Stainless steel

**NEW**


CATALOGUE NUMBER	FINISH	COMPONENTS	MATERIAL
3.543.101	RAL9005	Holder, Base	ZAMAK5

Hinges with linear course of frictional resistance.



NEW

3.544.001  
Version right



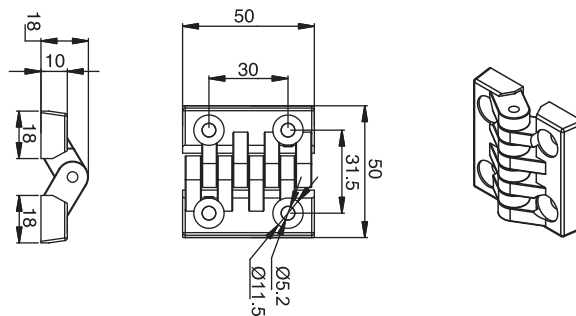
3.544.002  
Version left



CATALOGUE NUMBER	FINISH	COMPONENTS	MATERIAL
3.544.001	RAL 9005	Holder, Base	Polyamide
3.544.002			

HINGES

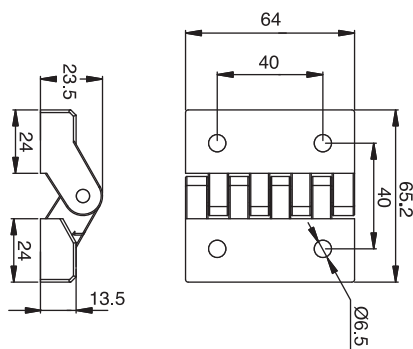
3A



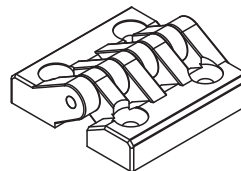
NEW



CATALOGUE NUMBER	FINISH	COMPONENTS	MATERIAL
3.545.001	RAL 9005	Holder, Base	Polyamide

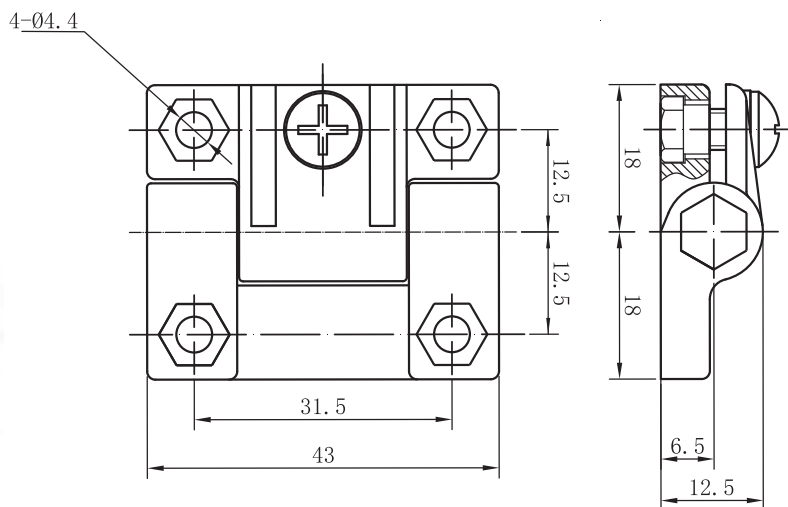


NEW



CATALOGUE NUMBER	FINISH	COMPONENTS	MATERIAL
3.545.002	RAL 9005	Holder, Base	Polyamide

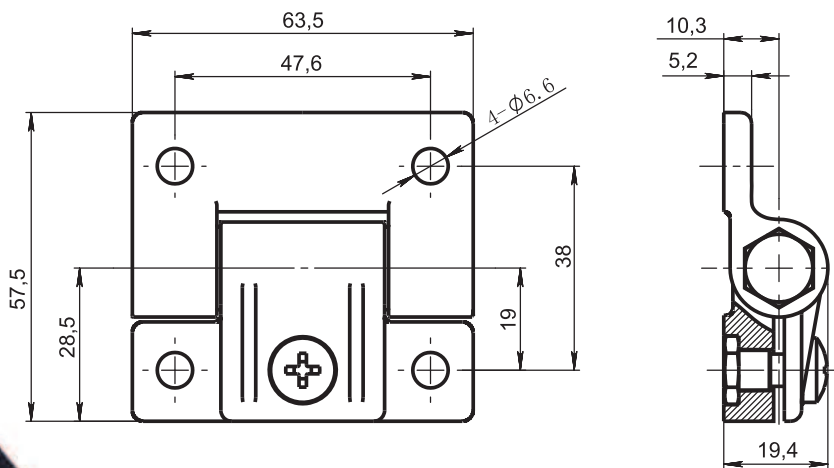


**NEW**

**Screw adjustment**

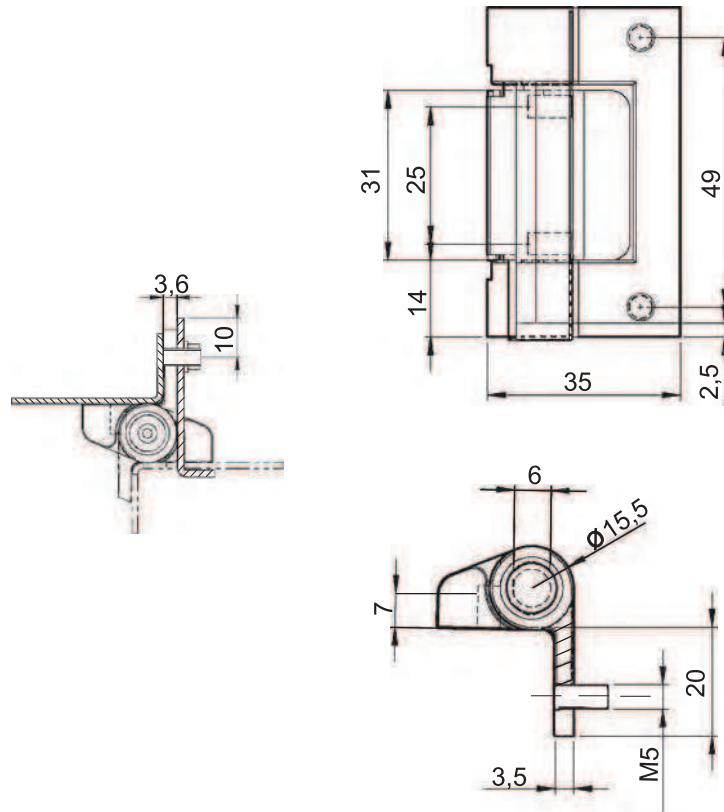
CATALOGUE NUMBER	FINISH	COMPONENTS	MATERIAL
3.516.002	RAL 9005	Holder, Base	Polyamide
		Pin	Steel zinc plated

HINGES

3A


**Screw adjustment**

CATALOGUE NUMBER	FINISH	COMPONENTS	MATERIAL
3.516.001	RAL 9005	Holder, Base	Polyamide
		Pin	Steel zinc plated



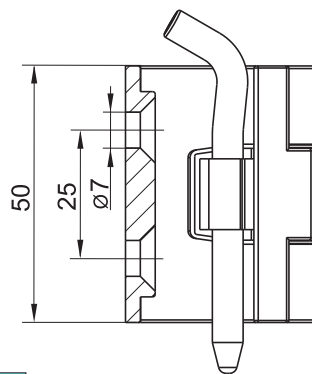
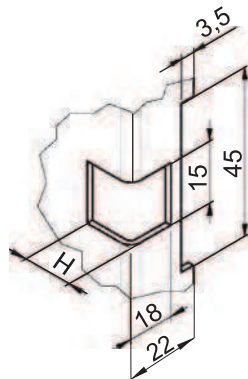
NEW



HINGES  
3A

CATALOGUE NUMBER	FINISH	COMPONENTS	MATERIAL
3.528.001	Chrome RAL 9005	Holder, Base	ZAMAK 5
		Pin	Steel zinc plated, *

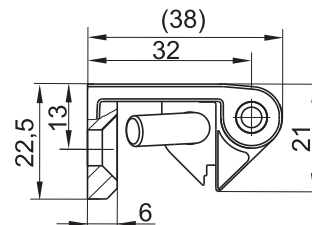
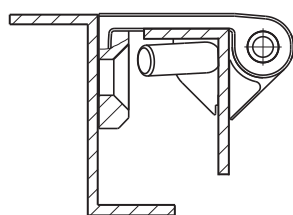
When ordering, specify the color or finishing type



NEW

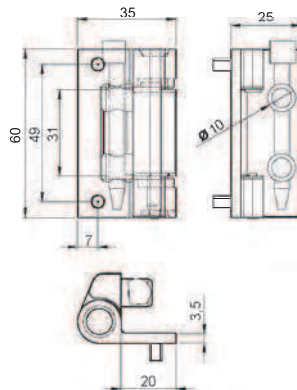


H [mm]	APPLICATION
13	only sheets 1,5 mm
15	only sheets 2 mm



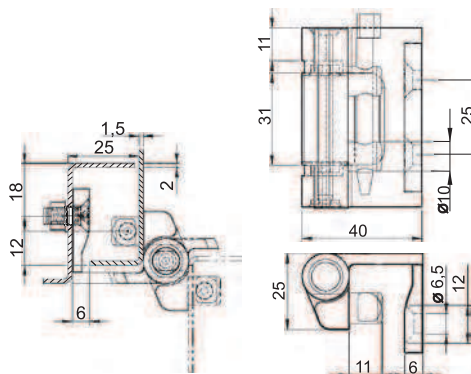
CATALOGUE NUMBER	FINISH	COMPONENTS	MATERIAL
3.ZN105.001*	Chrom RAL 9005	Holder, Base	ZAMAK 5
		Pin	Steel zinc plated

\* possibility to order stainless steel pin.  
When ordering, specify the color or finishing type

**NEW**


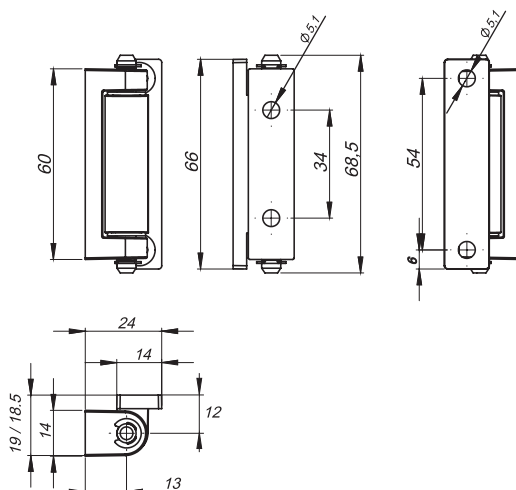
CATALOGUE NUMBER	FINISH	COMPONENTS	MATERIAL
3.529.001*	Chrome RAL 9005	Holder, Base	ZAMAK 5
		Pin	Steel zinc plated,*

\* possible to order stainless steel pin.  
When ordering, specify the color or finishing type

**NEW**


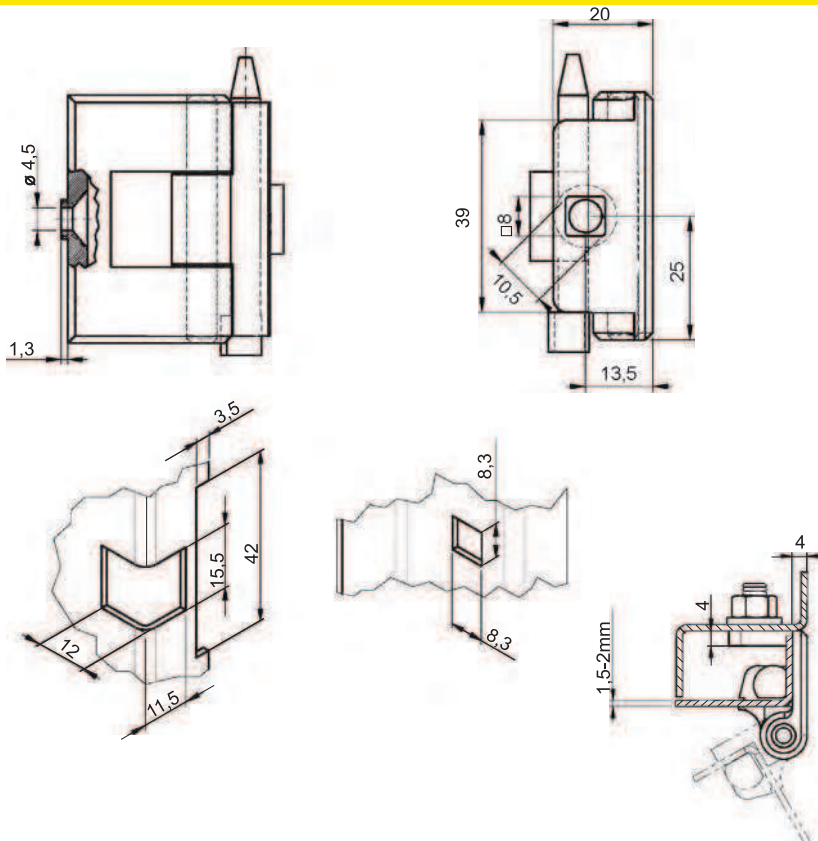
CATALOGUE NUMBER	FINISH	COMPONENTS	MATERIAL
3.530.001**	Chrome RAL 9005	Holder, Base	ZAMAK 5
		Pin	Steel zinc plated

\*\* possible to order polyamide pin.  
When ordering, specify the color or finishing type

**NEW**


CATALOGUE NUMBER	FINISH	COMPONENTS	MATERIAL
3.531.001*	Chrom RAL 9005	Holder, Base	ZAMAK 5
		Pin	Steel zinc plated

\* possibility to order stainless steel pin  
When ordering, specify the color or finishing type

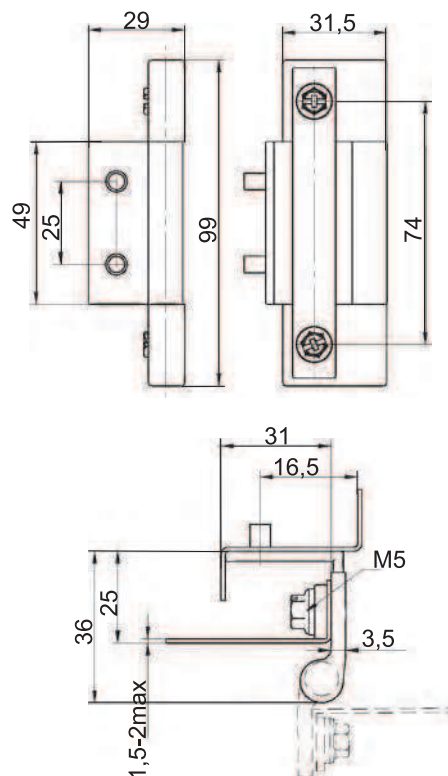


HINGES

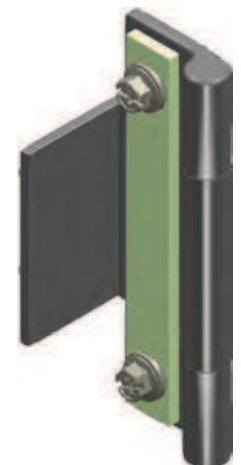
3A

CATALOGUE NUMBER	FINISH	COMPONENTS	MATERIAL
3.528.001*	Chrome RAL 9005	Holder, Base	ZAMAK 5
		Pin	Steel zinc plated

When ordering, specify the color or finishing type

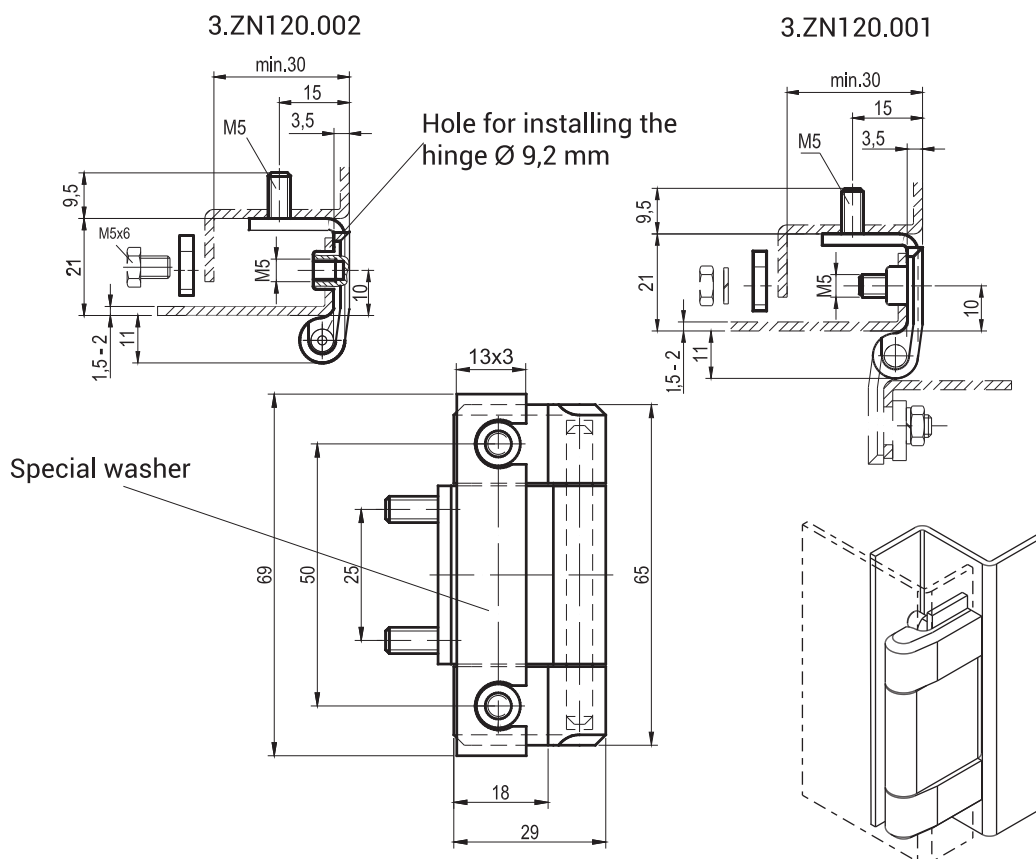
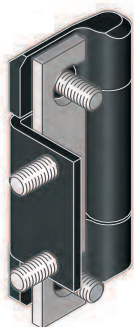
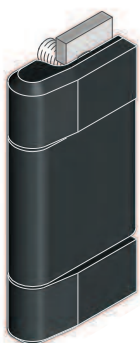


NEW



CATALOGUE NUMBER	FINISH	COMPONENTS	MATERIAL
3.536.001	RAL 9005	Holder	ZAMAK 5
		Base	Steel zinc plated

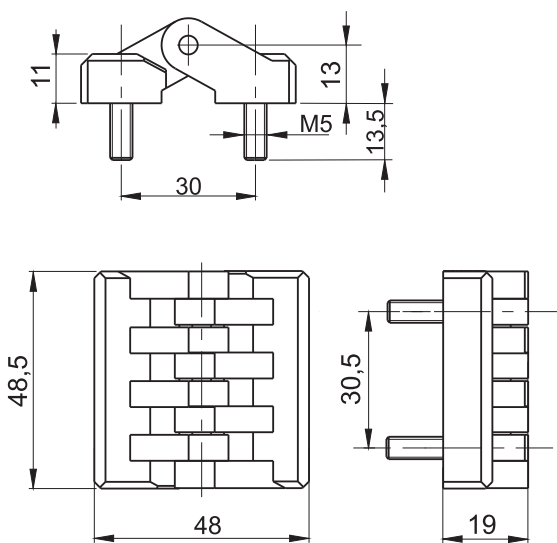
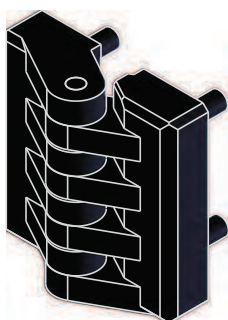
\* possibility to order with polyamide pin



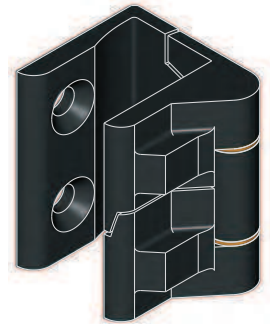
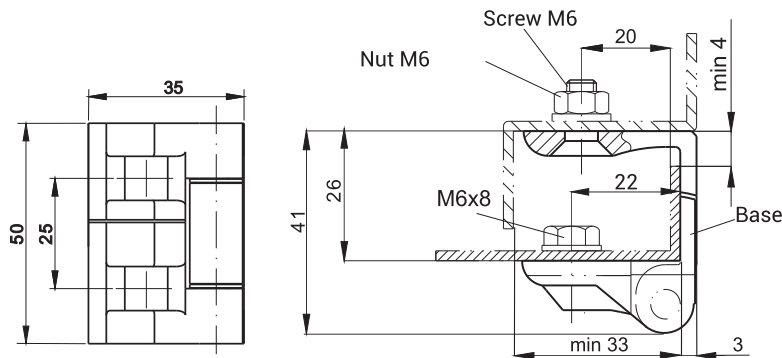
**Note:**  
When using the hinge to sheet a thickness of 1 mm, should order special washer having a thickness of 1 mm

CATALOGUE NUMBER	FINISH	COMPONENTS	MATERIAL
3.ZN120.001	RAL 9005	Holder, Base	ZAMAK 5
3.ZN120.002	RAL 7035		
		Pin	Steel zinc plated

When ordering, specify the color or finishing type

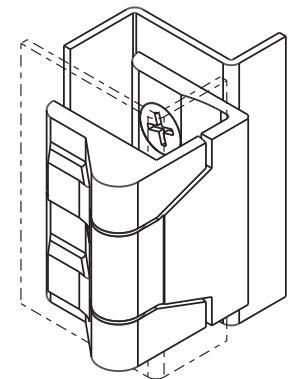
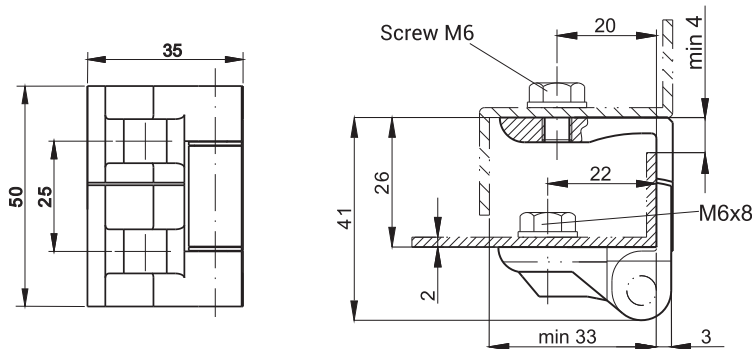


CATALOGUE NUMBER	FINISH	COMPONENTS	MATERIAL
3.ZN48-PA.001	RAL 9005	Holder, Base	Polyamide
		Pin	Stainless steel



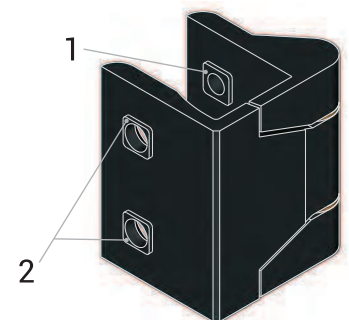
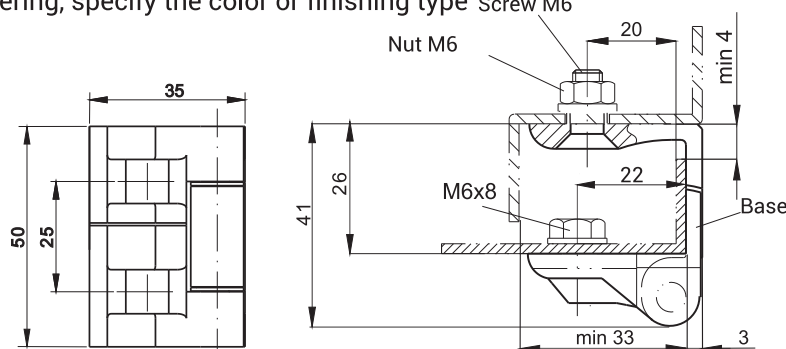
CATALOGUE NUMBER	FINISH	COMPONENTS	MATERIAL
3.ZN130.001	RAL 9005 RAL 7035, *	Holder	ZAMAK 5
		Base	ZAMAK 5
		Pin	Steel zinc plated

When ordering, specify the color or finishing type



CATALOGUE NUMBER	FINISH	COMPONENTS	MATERIAL
3.ZN130.002	RAL 9005 RAL 7035, *	Holder	ZAMAK 5
		Base	ZAMAK 5
		Pin	Steel zinc plated

When ordering, specify the color or finishing type

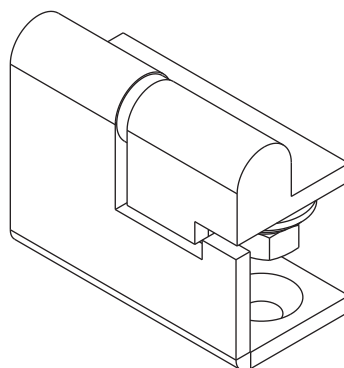
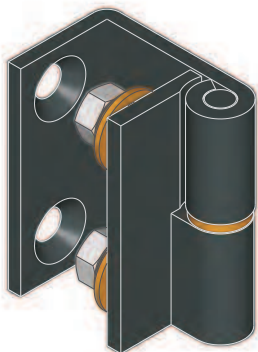


1. Holder with shoulder  $\square 8 \times 1 \text{mm}$  in standard version
2. Base with shoulder  $\square 8 \times 1 \text{mm}$  in version 3.ZN130.003

CATALOGUE NUMBER	FINISH	COMPONENTS	MATERIAL
3.ZN130.003	RAL 9005 RAL 7035,*	Holder	ZAMAK 5
		Base	ZAMAK 5
		Pin	Steel zinc plated

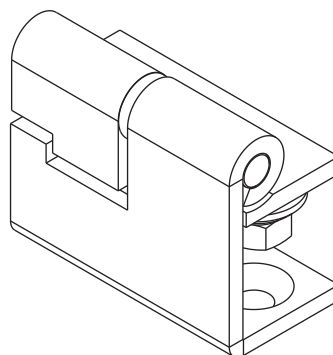
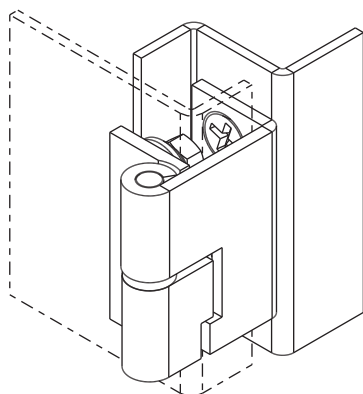
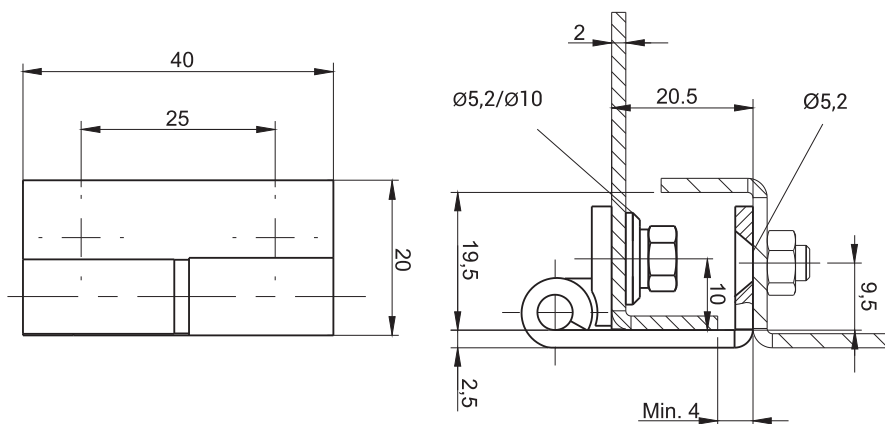
When ordering, specify the color or finishing type




**RIGHT VERSION**

CATALOGUE NUMBER	FINISH	COMPONENTS	MATERIAL
<b>3.ZN140.001</b>	RAL 9005 RAL 7035	Holder	Brass
		Base	Steel zinc plated
		Pin	Steel zinc plated

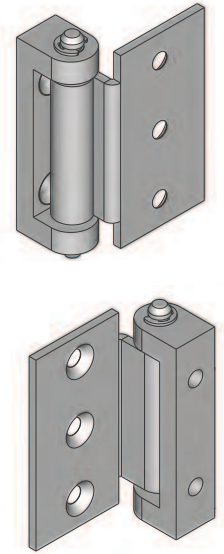
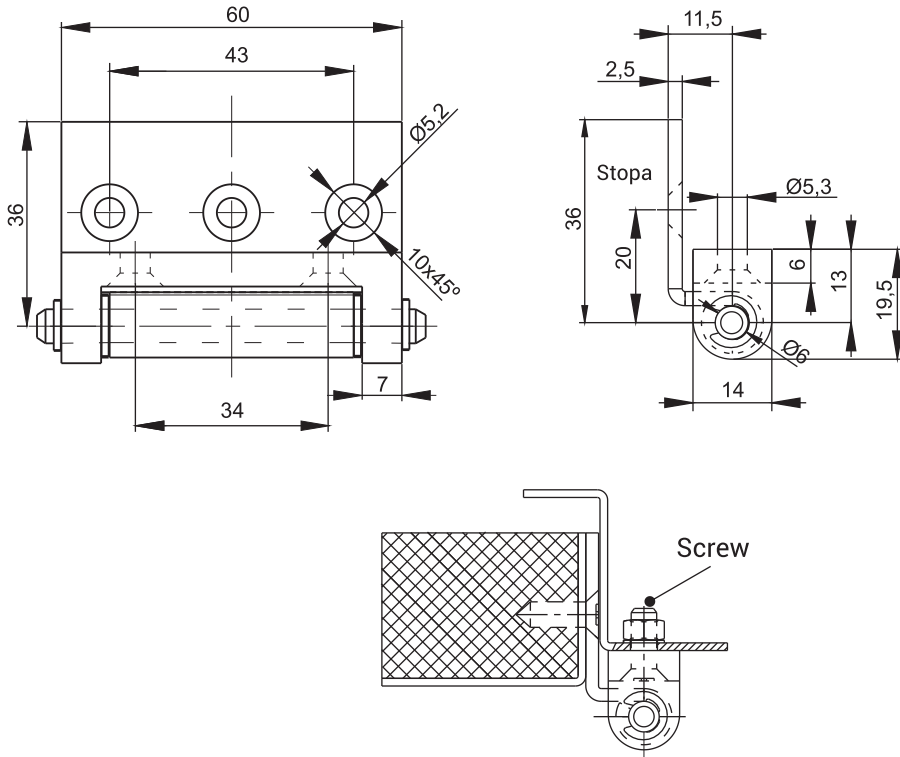
When ordering, specify the color or finishing type


**LEFT VERSION**


CATALOGUE NUMBER	FINISH	COMPONENTS	MATERIAL
<b>3.ZN140.002</b>	RAL 9005 RAL 7035	Holder	Brass
		Base	Steel zinc plated
		Pin	Steel zinc plated

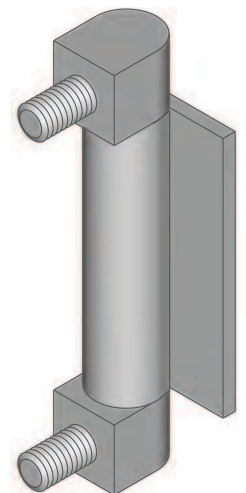
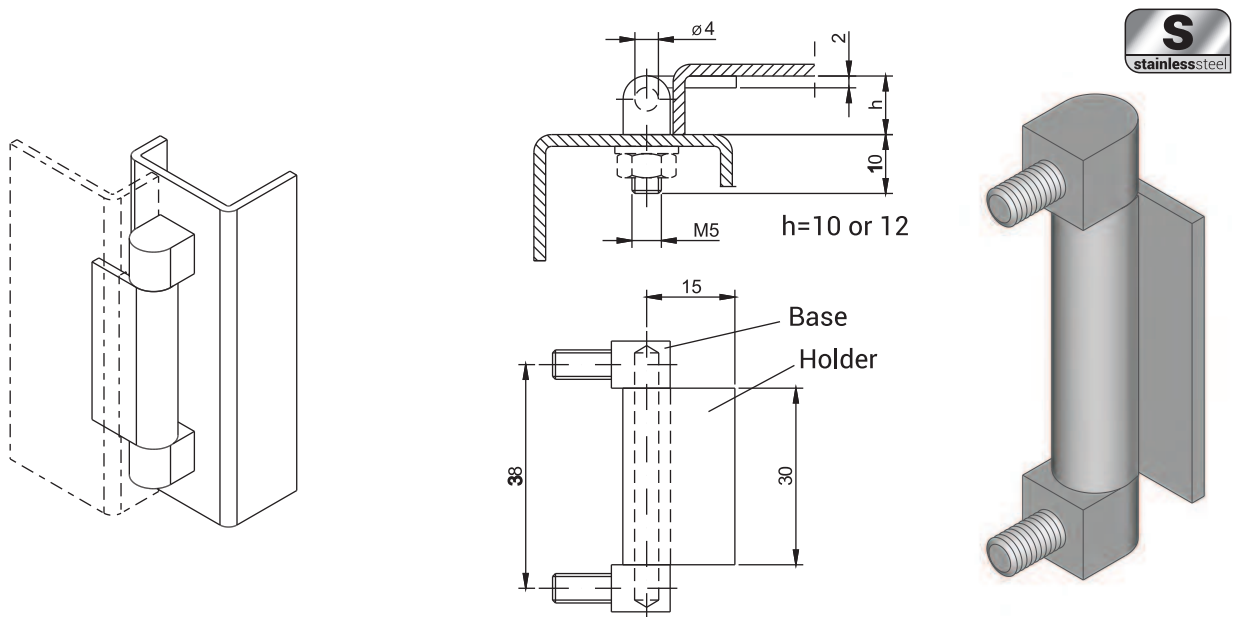
When ordering, specify the color or finishing type



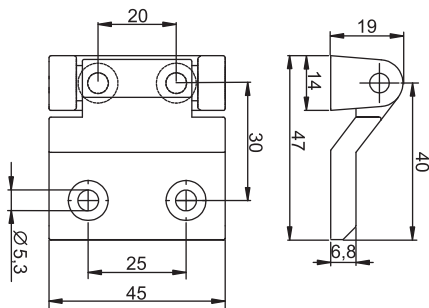
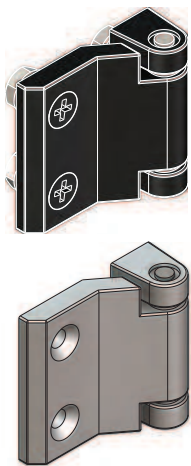


HINGES  
3A

CATALOGUE NUMBER	COMPONENTS	MATERIAL
3.ST42.001	Holder	Steel zinc plated
	Base	Steel zinc plated
	Pin	Steel zinc plated



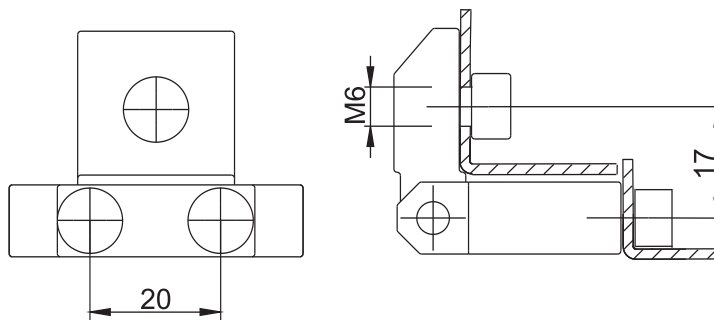
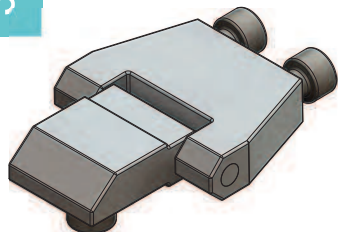
CATALOGUE NUMBER	COMPONENTS	MATERIAL
3.ST23.001	Holder	Steel zinc plated
	Base, Pin	Steel zinc plated
3.ST23.001SN	Holder	Stainless steel
	Base, Pin	Stainless steel



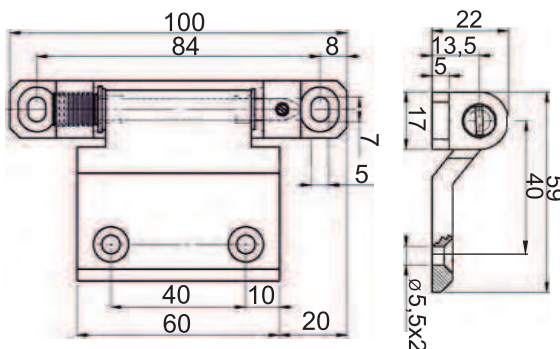
CATALOGUE NUMBER	FINISH	COMPONENTS	MATERIAL
3.514.001	Chrome	Holder, Base	ZAMAK5
		Pin	Steel zinc plated
3.514.002	RAL 9005	Holder, Base	ZAMAK 5
		Pin	Steel zinc plated

HINGES

3A

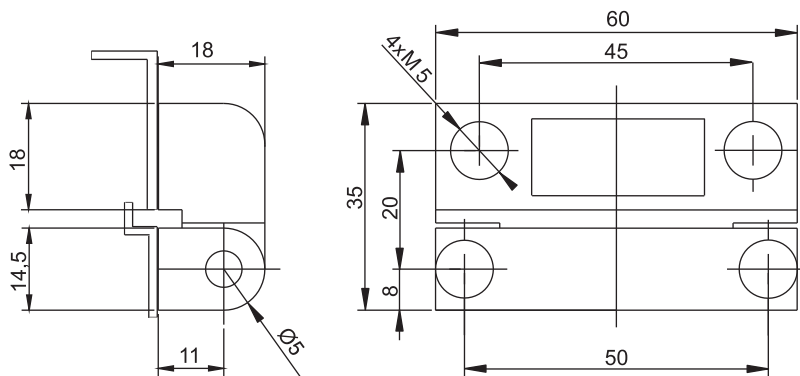


CATALOGUE NUMBER	FINISH	COMPONENTS	MATERIAL
3.515.001	Chrome	Holder, Base	ZAMAK 5
		Pin	Steel zinc plated
3.515.002	RAL 9005	Holder, Base	ZAMAK 5
		Pin	Steel zinc plated

**NEW**


CATALOGUE NUMBER	FINISH	COMPONENTS	MATERIAL
3.535.001	RAL 9005	Holder	ZAMAK 5
	Chrome	Base	ZAMAK 5

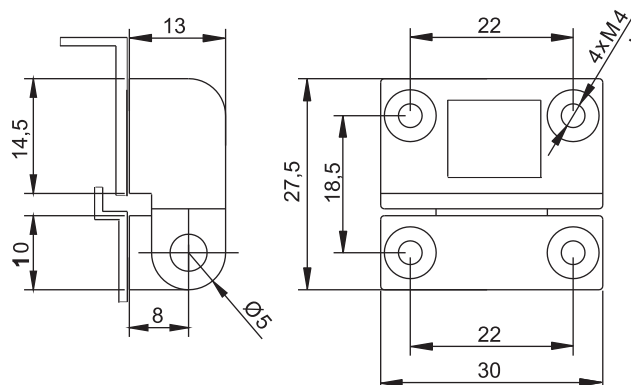
When ordering, specify the color or finishing type



**NEW**



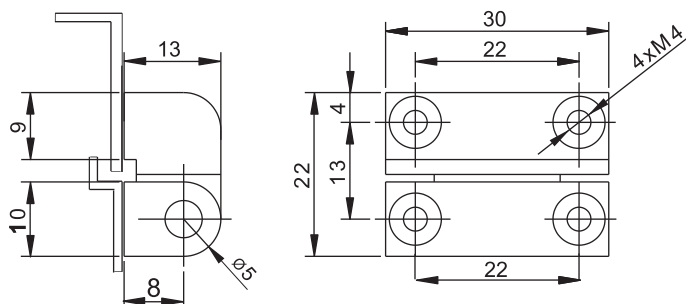
CATALOGUE NUMBER	HINGE	FINISH [X]	
	3.517.001.X	3.517.001.X	1
		2	Nickel
CATALOGUE NUMBER	COMPONENTS	MATERIAL	
3.517.001.X	Holder, Base	ZAMAK 5	
	Pin	Steel zinc plated	



**NEW**



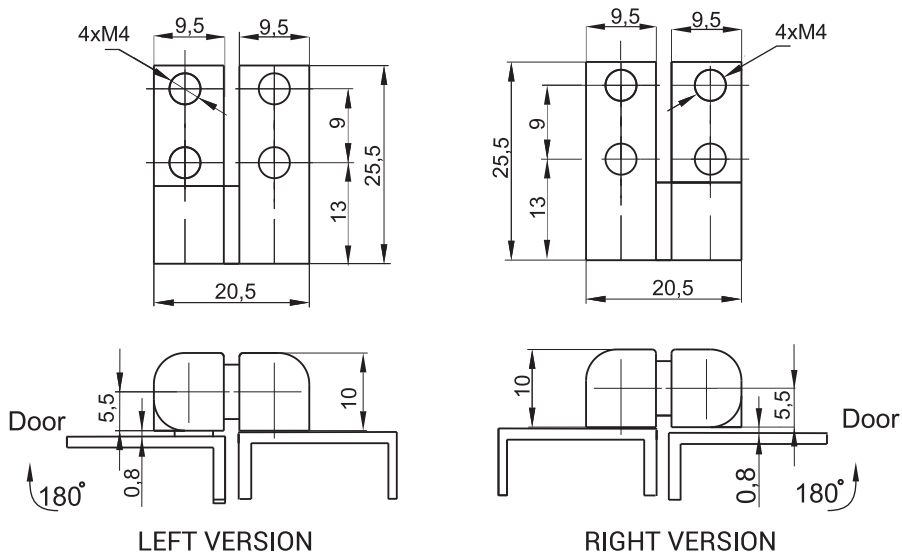
CATALOGUE NUMBER	HINGE	FINISH [X]	
	3.517.002.X	3.517.002.X	1
		2	Nickel
CATALOGUE NUMBER	COMPONENTS	MATERIAL	
3.517.002.X	Holder, Base	ZAMAK 5	
	Pin	Steel zinc plated	



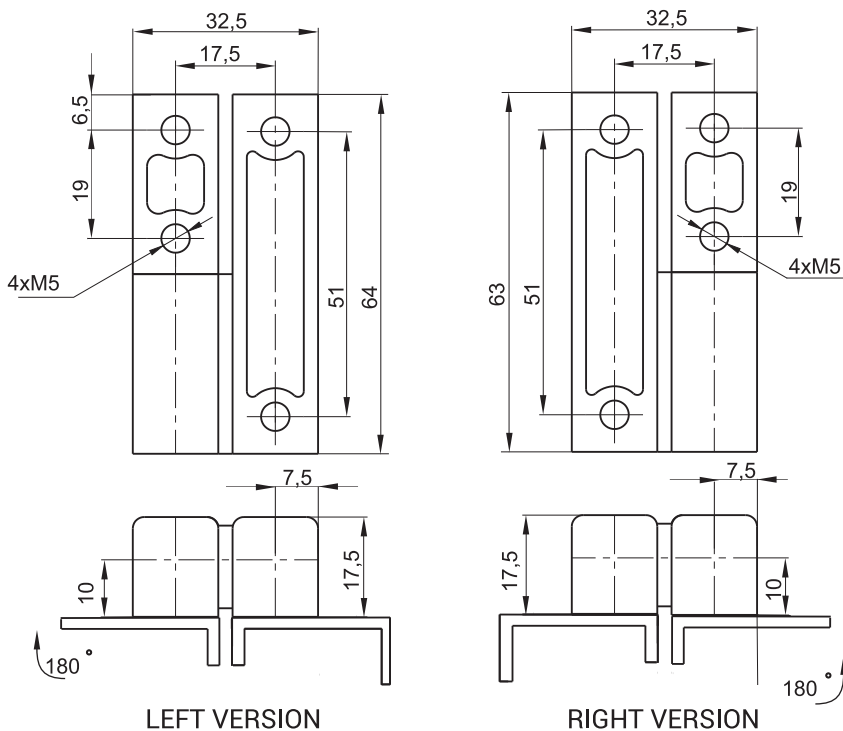
**NEW**



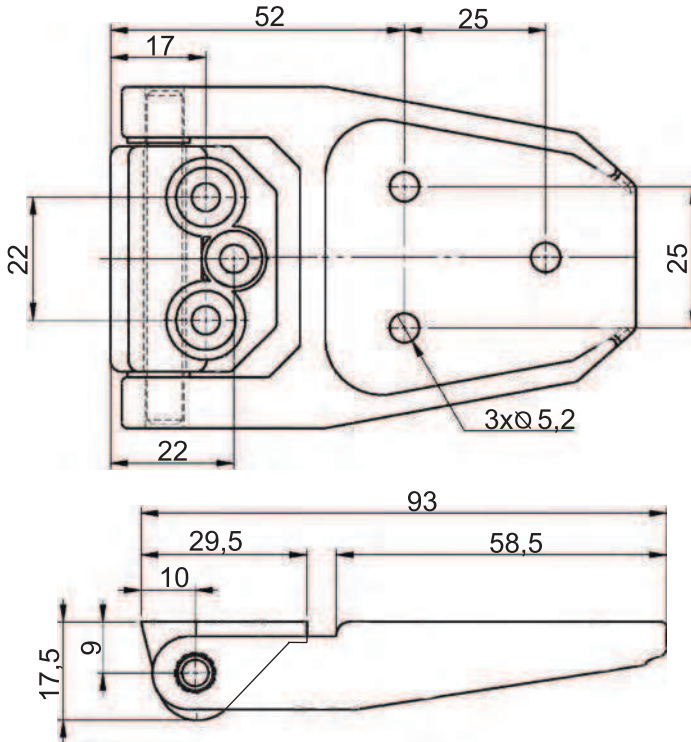
CATALOGUE NUMBER	HINGE	FINISH [X]	
	3.517.003.X	3.517.003.X	1
		2	Nickel
CATALOGUE NUMBER	COMPONENTS	MATERIAL	
3.517.003.X	Holder, Base	ZAMAK 5	
	Pin	Steel zinc plated	

**NEW**


CATALOGUE NUMBER	VERSION [X]	where:	
3.518.001.X	L	L - left version	
	P.	P - right version	
CATALOGUE NUMBER	FINISH	COMPONENTS	MATERIAL
3.518.001	RAL 9005	Holder, Base	ZAMAK 5
		Pin	Steel zinc plated

**NEW**


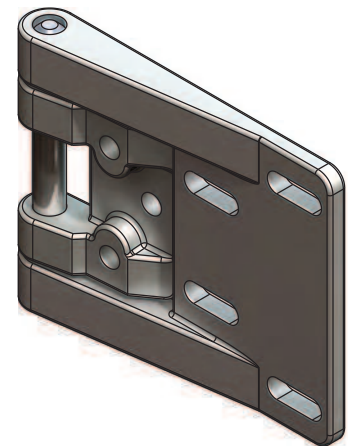
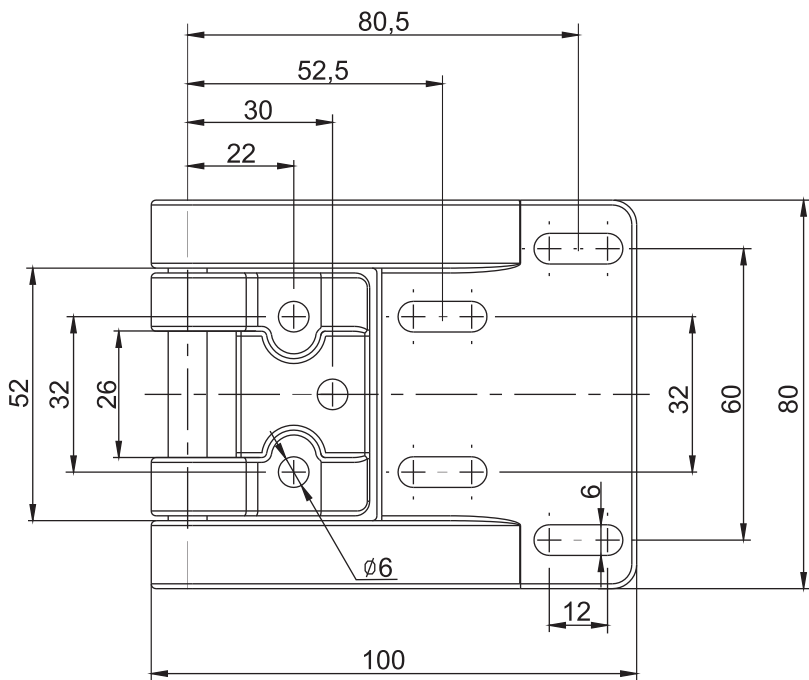
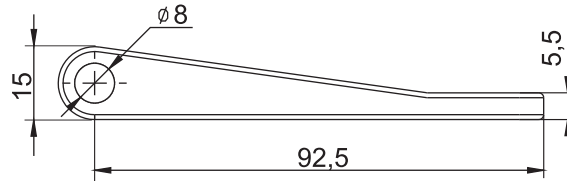
CATALOGUE NUMBER	VERSION [X]	where:	
3.518.002.X	L	L - left version	
	P.	P - right version	
CATALOGUE NUMBER	FINISH	COMPONENTS	MATERIAL
3.518.002	RAL 9005	Holder, Base	ZAMAK 5
		Pin	Steel zinc plated



CATALOGUE NUMBER	FINISH	COMPONENTS	MATERIAL
3.534.001	RAL 9005	Holder, Base	Polyamide
		Pin	Polyamide

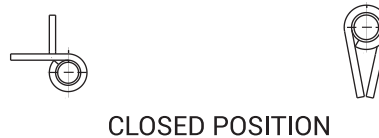
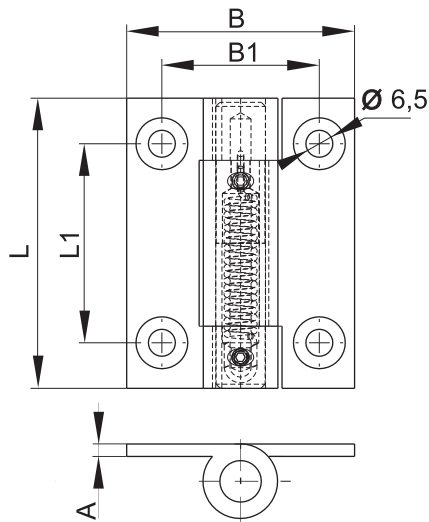
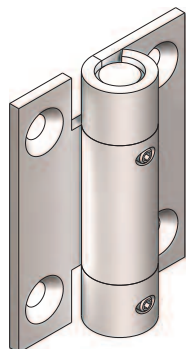
HINGES

3A



CATALOGUE NUMBER	FINISH	COMPONENTS	MATERIAL
3.ZN156.001	RAL 9005,7035 Chrome	Holder, Base	ZAMAK 5
		Pin	Steel zinc plated

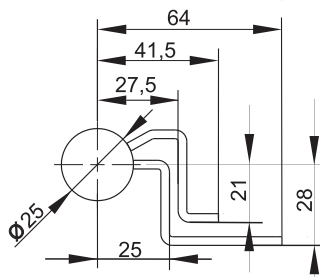
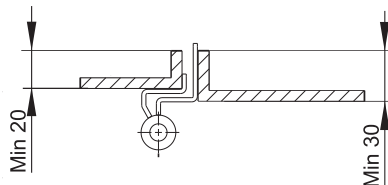
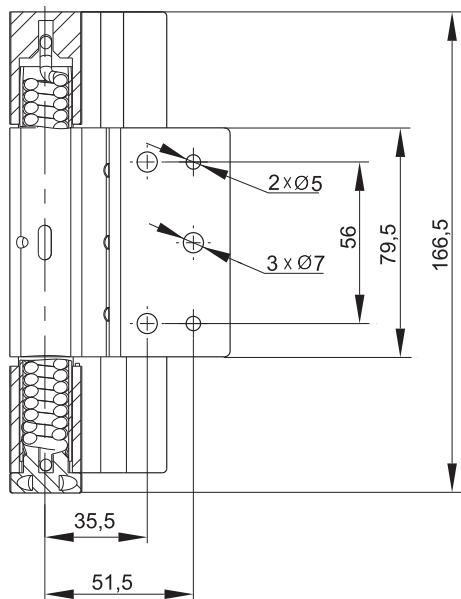
When ordering, specify the color or finishing type

**NEW**


HINGE	X	A	L	L1	B	B1
3.ST108.001.0X	1	3	70	48	55	38
	2	3	80	60	65	45
	3	3	60	36	76	56
CATALOGUE NUMBER		COMPONENTS			MATERIAL	
3.ST108.001		Holder, Base			Steel zinc plated	
		Pin			Steel zinc plated	

HINGES

3A

**NEW**


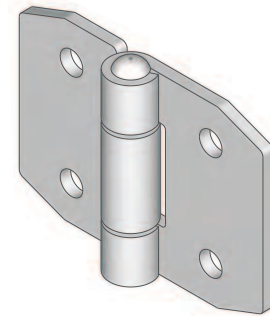
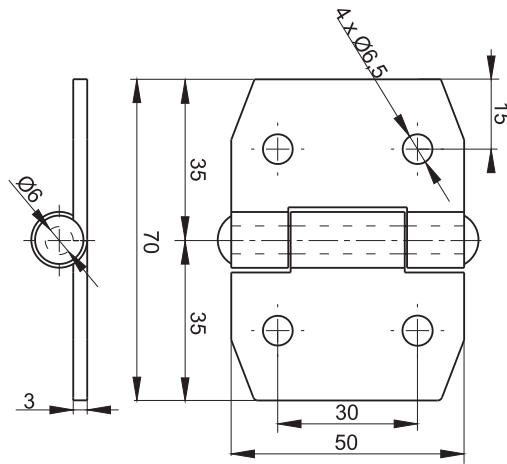
CATALOGUE NUMBER	VERSION [X]
3.ST109.001-X	A
	B

where:

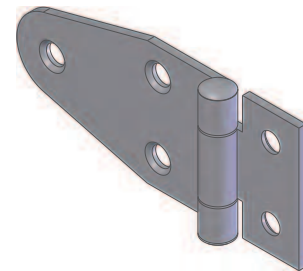
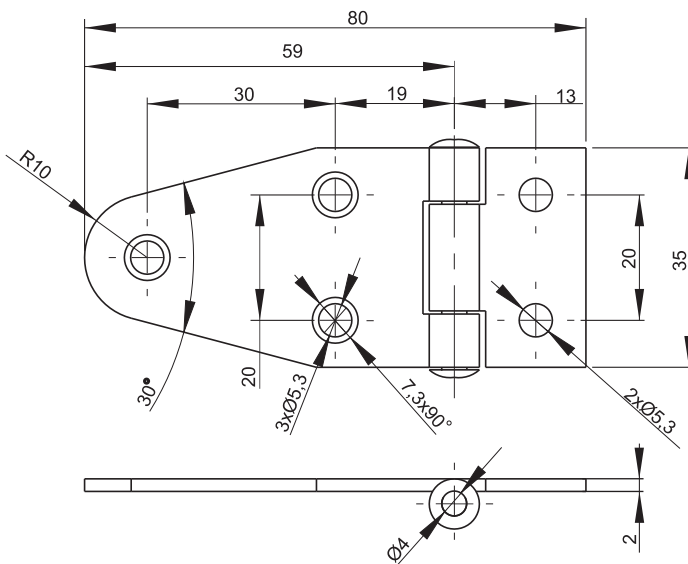
A - A spring hinge provided with a spring causing self-closing door

B - hinge bearing - without spring

CATALOGUE NUMBER	COMPONENTS	MATERIAL
3.ST109.001	Holder, Base	Steel zinc plated
	Pin	Steel zinc plated



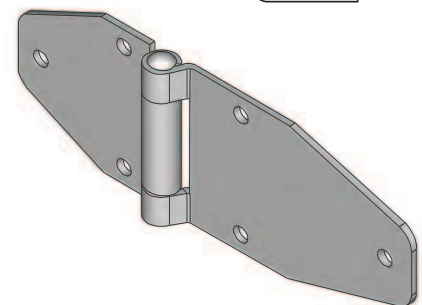
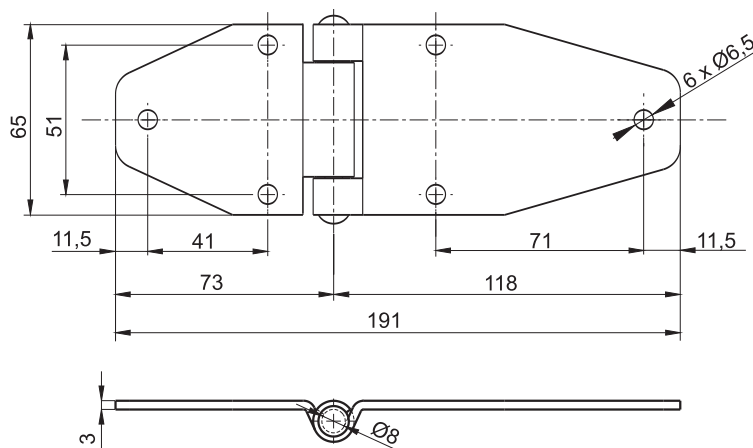
CATALOGUE NUMBER	COMPONENTS	MATERIAL
3.ST30.001	Holder, Base, Pin	Steel zinc plated
3.ST30.001SN	Holder, Base, Pin	Steel zinc plated



HINGES

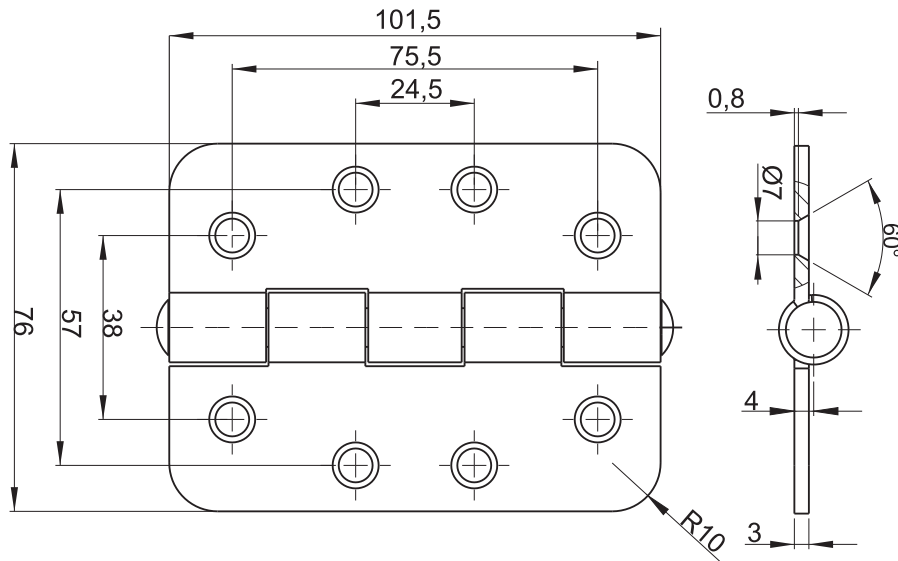
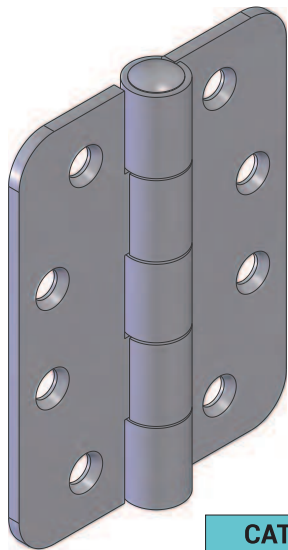
3A

CATALOGUE NUMBER	COMPONENTS	MATERIAL
3.ST35-1.001	Holder, Base, Pin	Steel zinc plated
3.ST35-1.001SN	Holder, Base, Pin	Stainless steel



CATALOGUE NUMBER	COMPONENTS	MATERIAL
3.ST35.001	Holder, Base, Pin	Steel zinc plated
	Holder, Base, Pin	Stainless steel

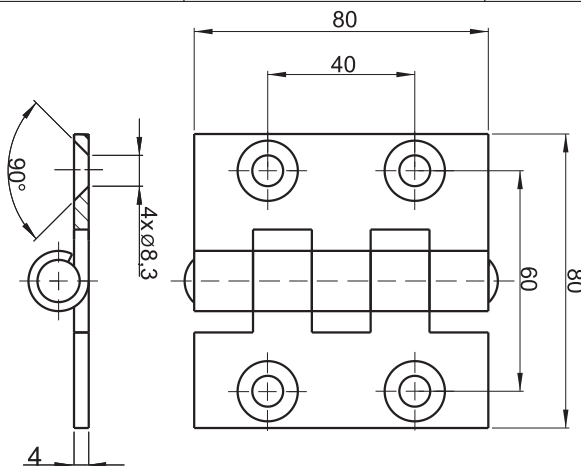
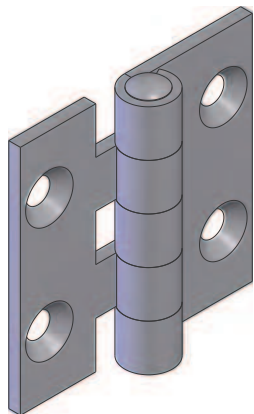




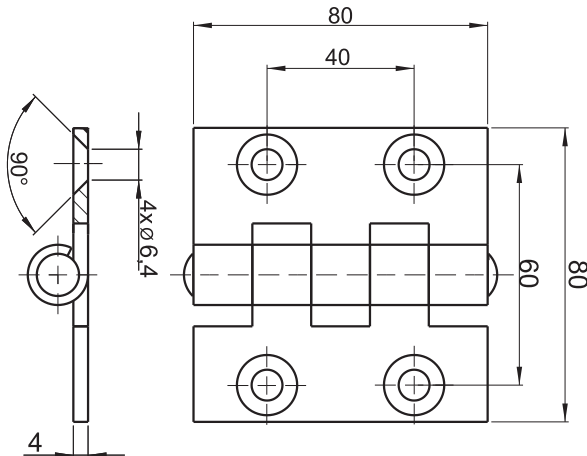
CATALOGUE NUMBER	COMPONENTS	MATERIAL
3.ST35-2.002	Holder, Base	Stainless steel
	Pin	Stainless steel

HINGES

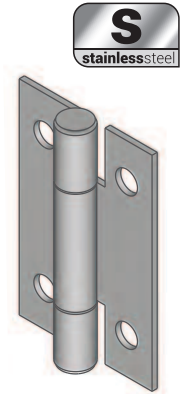
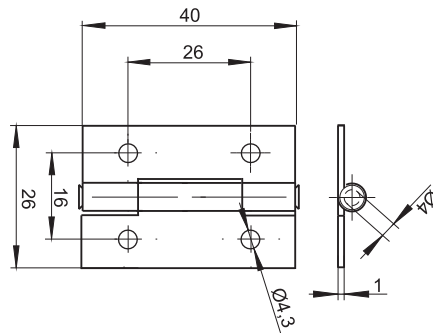
3A



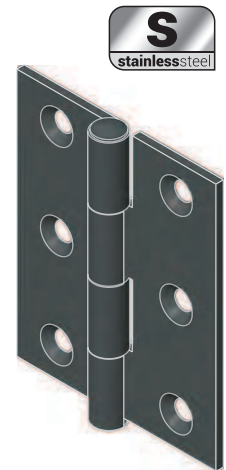
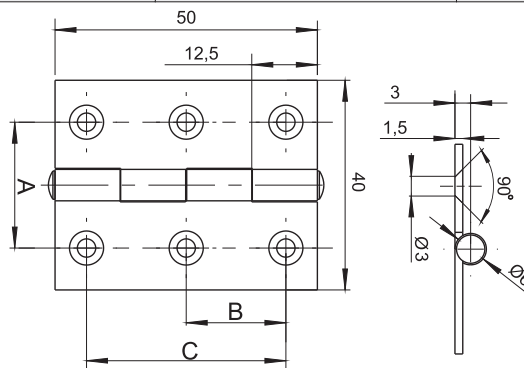
CATALOGUE NUMBER	COMPONENTS	MATERIAL
3.ST58.001	Holder, Base	Steel zinc plated
	Pin	Stainless steel



CATALOGUE NUMBER	COMPONENTS	MATERIAL
3.ST58.002	Holder, Base	Steel zinc plated
	Pin	Stainless steel



CATALOGUE NUMBER	COMPONENTS	MATERIAL
3.ST37.001	Holder, Base, Pin	Steel zinc plated
3.ST37.001SN	Holder, Base, Pin	Stainless steel



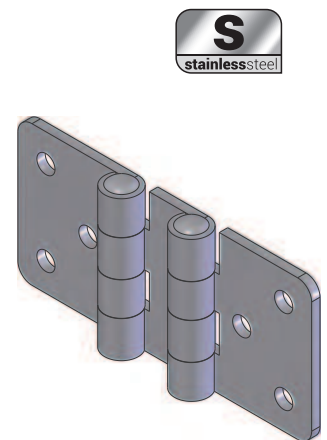
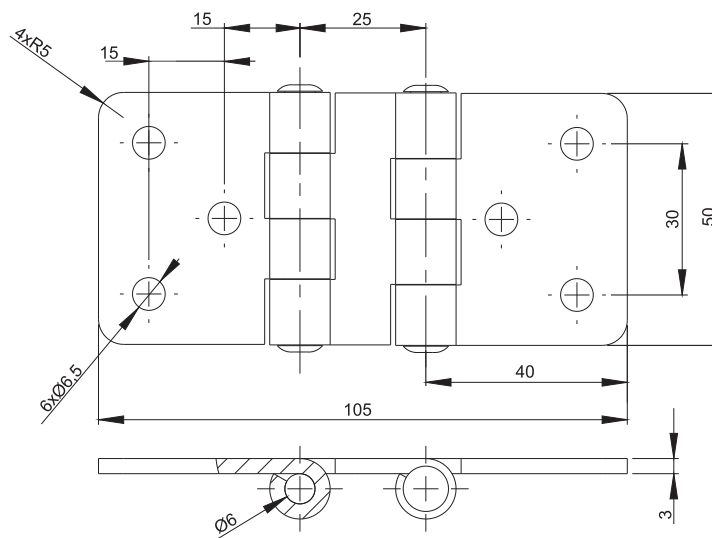
	X	A	B	C
3.ST48.00X	1	24	19	38
3.ST48.00X SN	2	23	17,5	35
	3*	23	17,5	35

where:  
X - indication of the hinge

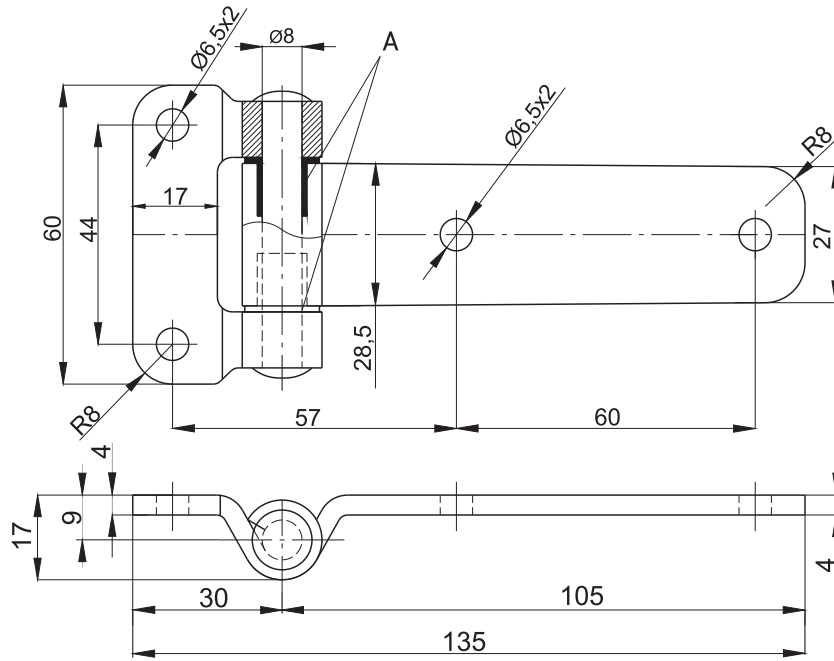
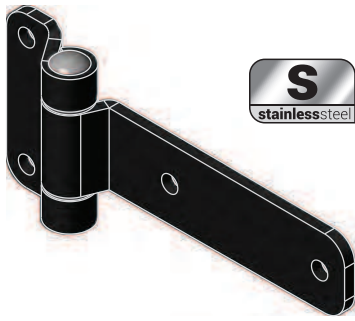
\* -no chamfer on mounting holes

CATALOGUE NUMBER	FINISH	COMPONENTS	MATERIAL
3.ST48.00X	RAL 9005, 7035	Holder, Base, Pin	Steel zinc plated
3.ST48.00X SN	-	Holder, Base, Pin	Stainless steel

When ordering, specify the color or finishing type



CATALOGUE NUMBER	COMPONENTS	MATERIAL
3.ST55.001	Holder, Base, Pin	Steel zinc plated
3.ST55.001SN	Holder, Base, Pin	Stainless steel

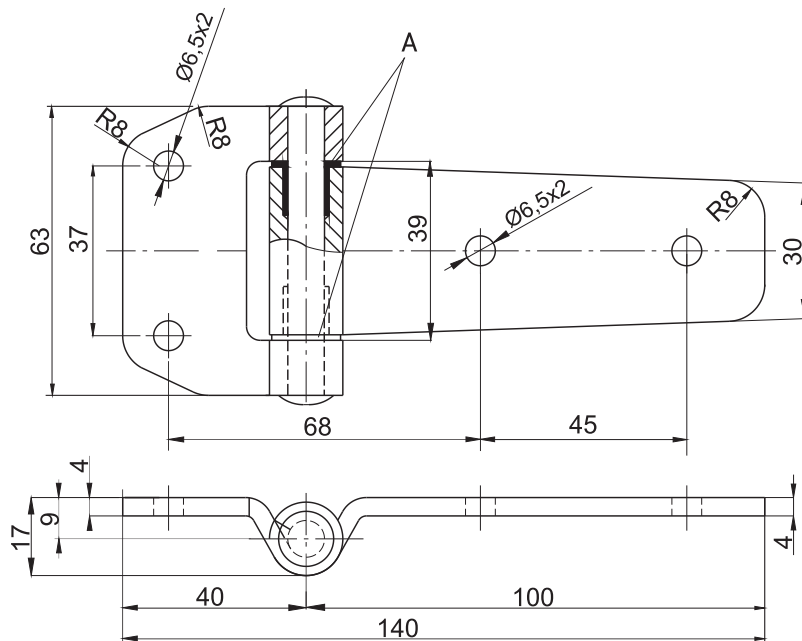
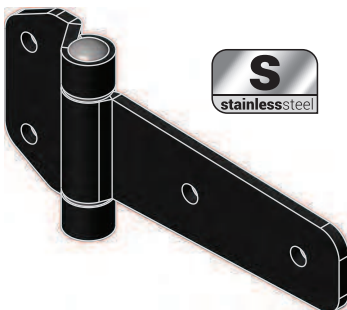


CATALOGUE NUMBER	FINISH	COMPONENTS	MATERIAL
3.ST56.001	RAL 9005	Holder, Base	Steel zinc plated
		Pin	Stainless steel

A - plastic washers

HINGES

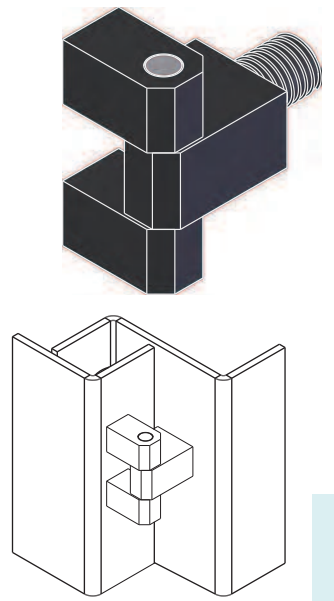
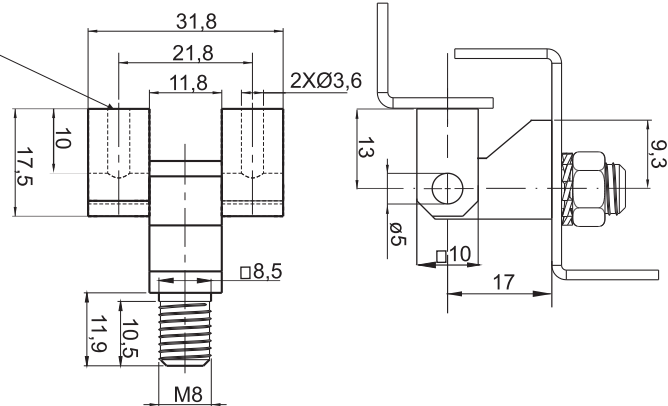
3A



CATALOGUE NUMBER	FINISH	COMPONENTS	MATERIAL
3.ST56.100	RAL 9005	Holder, Base	Steel zinc plated
		Pin	Stainless steel

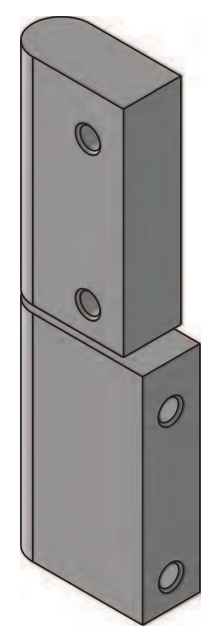
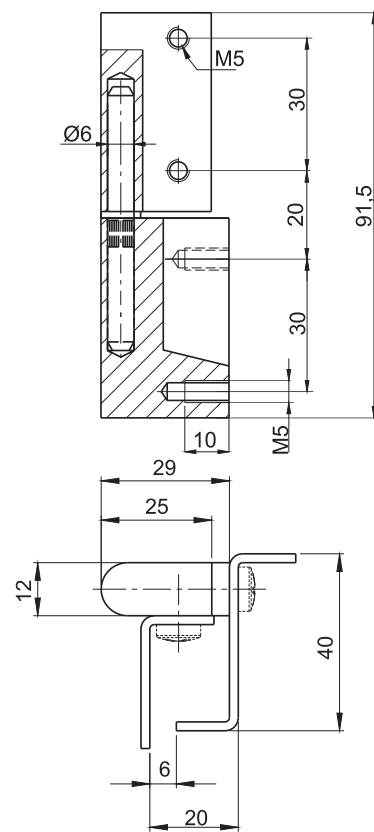
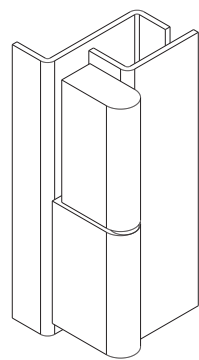
A - plastic washers

Screws M4  
DIN 7516

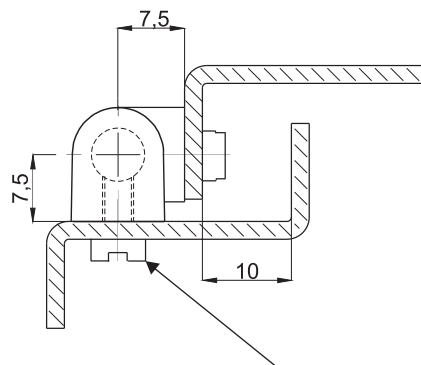
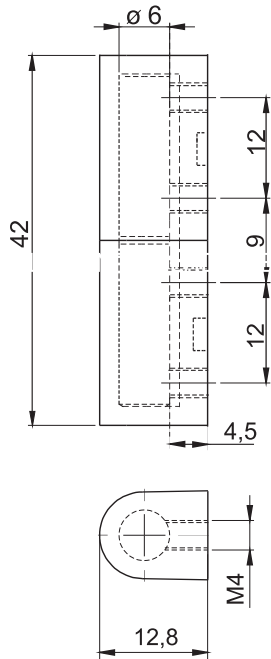
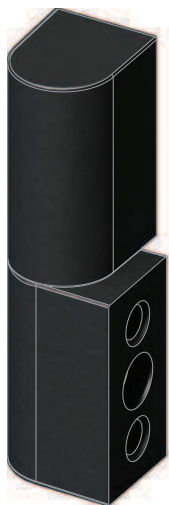


CATALOGUE NUMBER	FINISH	COMPONENTS	MATERIAL
3.ZN20.001	RAL 9005	Holder, Base	ZAMAK 5
		Pin	Steel zinc plated, *

HINGES  
3A



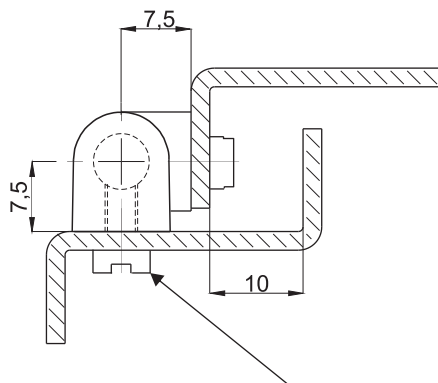
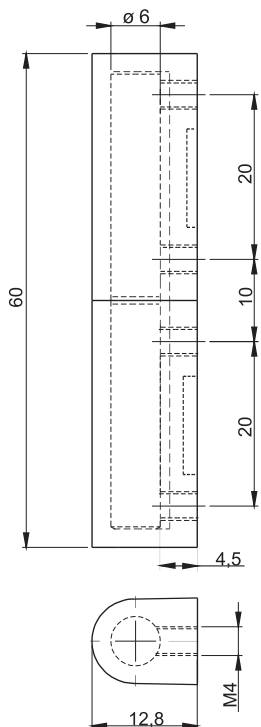
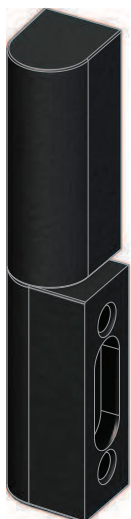
CATALOGUE NUMBER	FINISH	COMPONENTS	MATERIAL
3.ST49.001	RAL 9005	Holder, Base	ZAMAK 5
		Pin	Steel zinc plated



Screws M4 with cylindrical head  
DIN 84, ISO1207 \*\*

CATALOGUE NUMBER	FINISH	COMPONENTS	MATERIAL
3.ZN155.001	RAL 9005	Holder, Base	ZAMAK 5
		Pin	Steel zinc plated, *

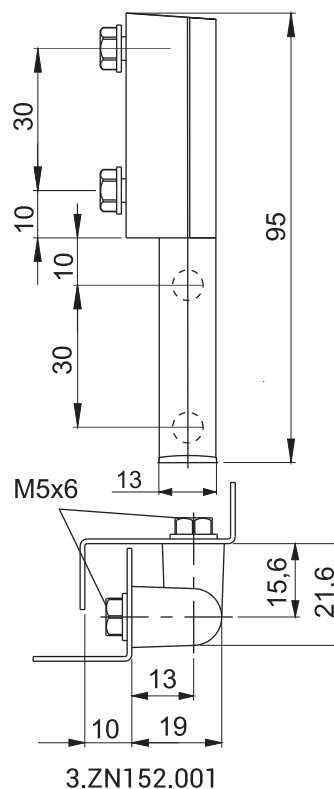
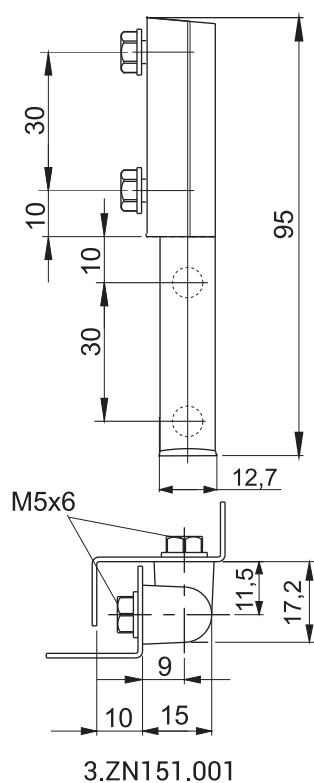
\* possibility to order stainless steel pin.  
\*\*not included order



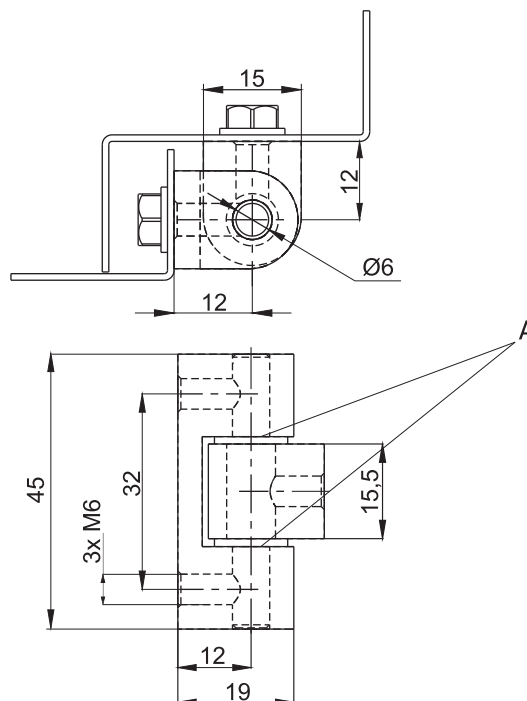
Screws M4 with cylindrical head  
DIN 84, ISO1207 \*\*

CATALOGUE NUMBER	FINISH	COMPONENTS	MATERIAL
3.ZN155.002	RAL 9005	Holder, Base	ZAMAK 5
		Pin	Steel zinc plated, *

\* possibility to order stainless steel pin.  
\*\*not included order

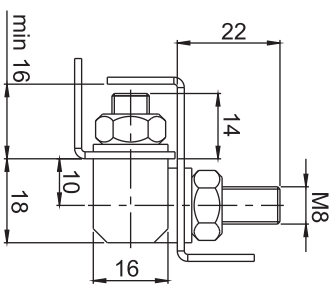
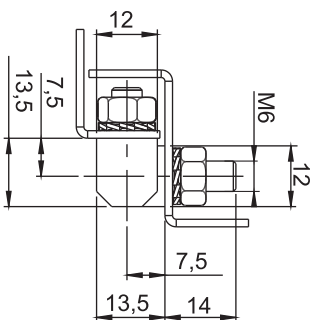
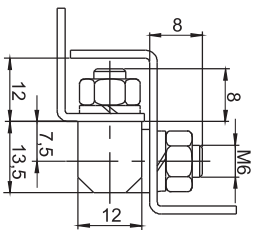
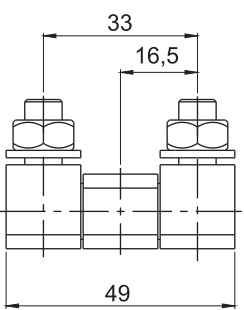
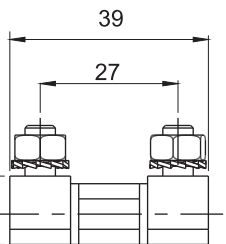
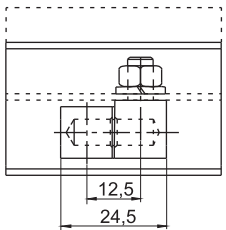
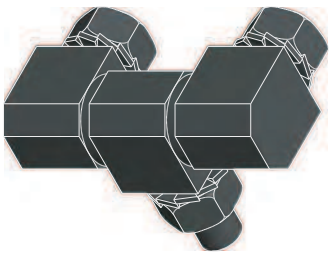
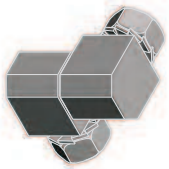


CATALOGUE NUMBER	FINISH	COMPONENTS	MATERIAL
3.ZN151.001	RAL 9005	Holder, Base	Polyamide
3.ZN152.001		Pin	Stainless steel

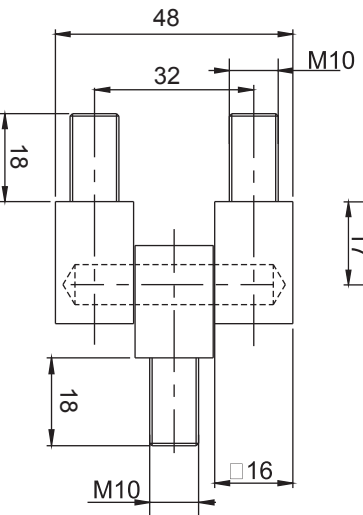
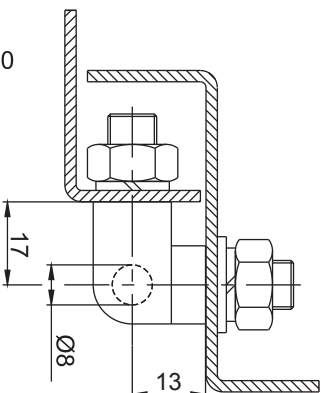
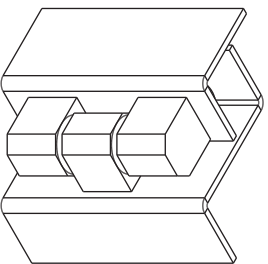
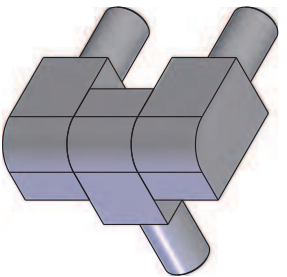


CATALOGUE NUMBER	FINISH	COMPONENTS	MATERIAL
3.ST53.001	Chrome	Holder, Base	ZAMAK 5
		Pin	Stainless steel
3.ST53.002	Chrome	Holder, Base	Steel
		Pin	Stainless steel

A - plastic washer

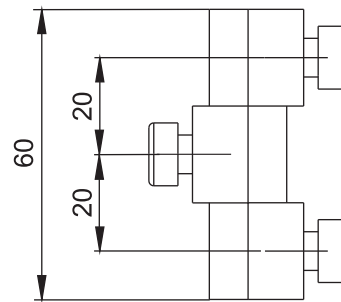
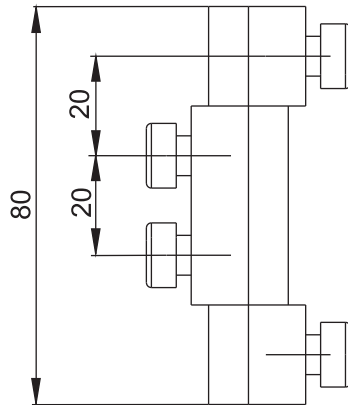
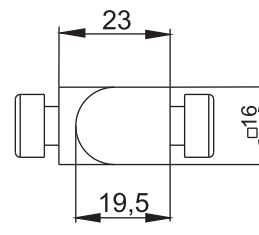
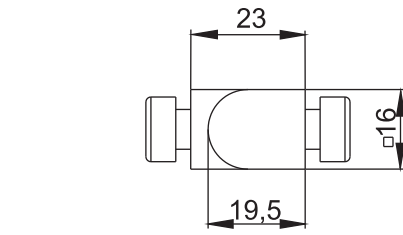

**3.STZH2.001**
**3.STZH3.001**
**3.STZH3-1.001**
**3A**
**HINGES**

CATALOGUE NUMBER	COMPONENTS	MATERIAL
3.STZH2.001	Holder, Base, Pin	Steel zinc plated
3.STZH3.001	Holder, Base, Pin	Steel zinc plated
3.STZH3-1.001	Holder, Base, Pin	Stainless steel



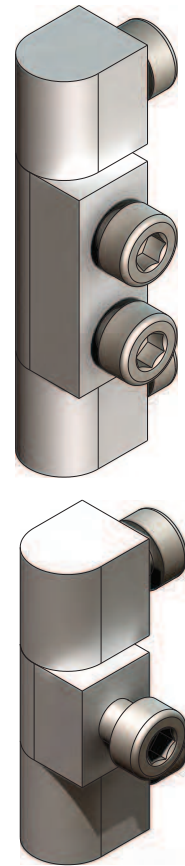
CATALOGUE NUMBER	COMPONENTS	MATERIAL
3.ST73.001	Holder, Base, Pin	Steel zinc plated





3.504.001

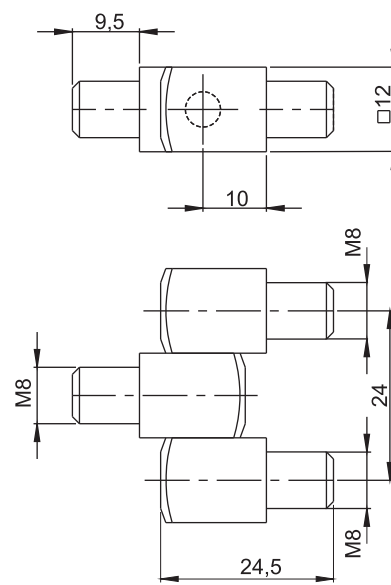
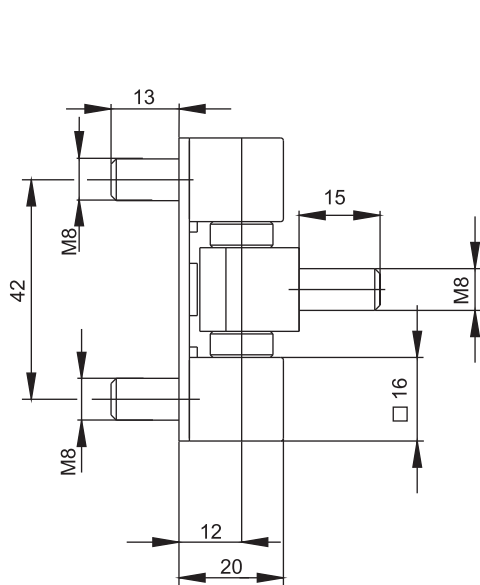
3.505.001



HINGES

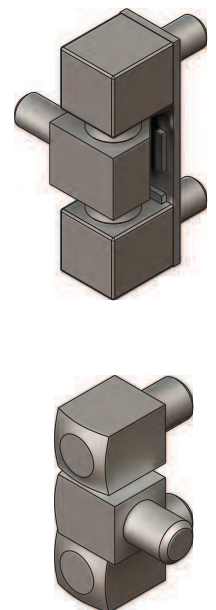
3A

CATALOGUE NUMBER	FINISH	COMPONENTS	MATERIAL
3.504.001	Chrome	Holder, Base	Brass
3.505.001		Pin	Steel zinc plated

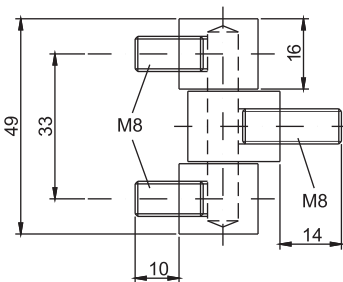
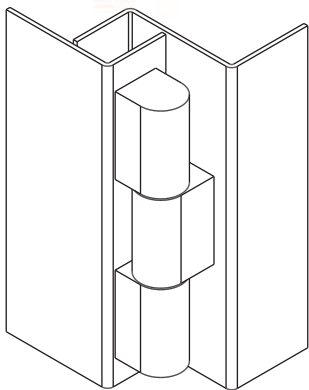
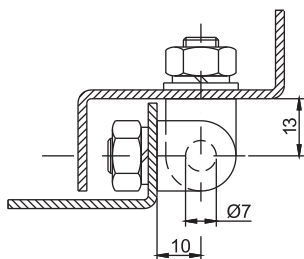
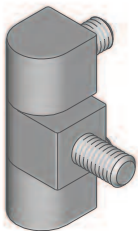


3.506.001

3.507.001



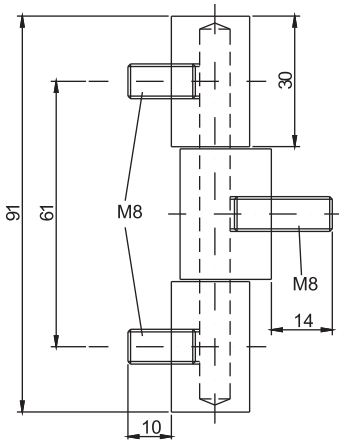
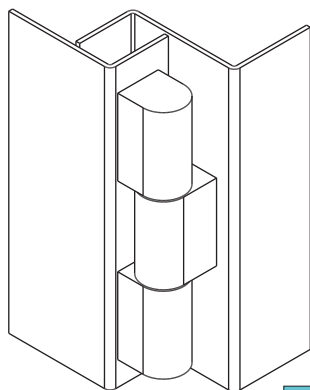
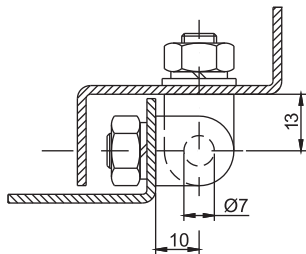
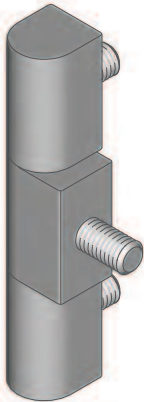
CATALOGUE NUMBER	FINISH	COMPONENTS	MATERIAL
3.506.001	Nickel	Holder, Base	Brass
3.507.001		Pin	Steel zinc plated



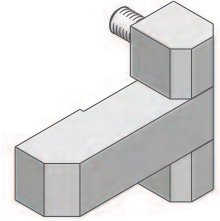
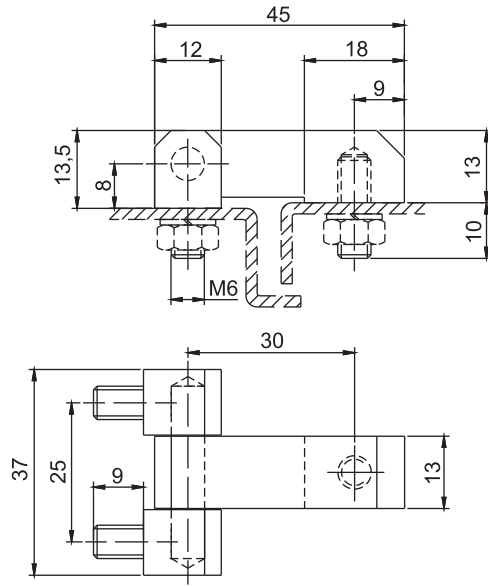
HINGES

3A

CATALOGUE NUMBER	COMPONENTS	MATERIAL
3.ST17.001	Holder, Base, Pin	Steel zinc plated
3.ST17.001SN	Holder, Base, Pin	Stainless steel



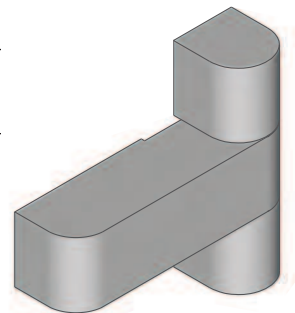
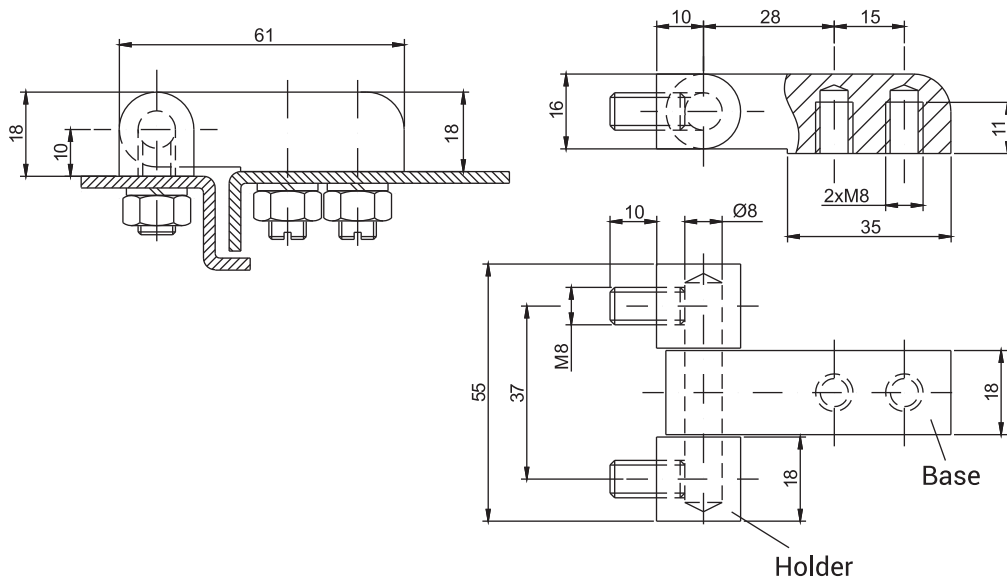
CATALOGUE NUMBER	COMPONENTS	MATERIAL
3.ST18.001	Holder, Base, Pin	Steel zinc plated
3.ST18.001SN	Holder, Base, Pin	Stainless steel



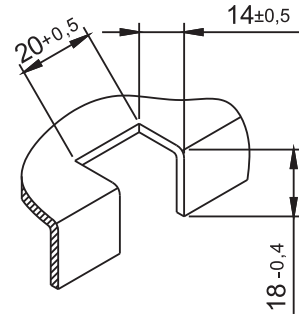
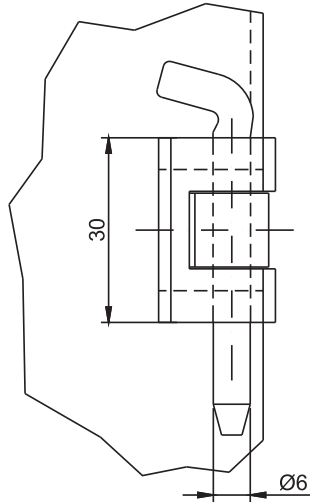
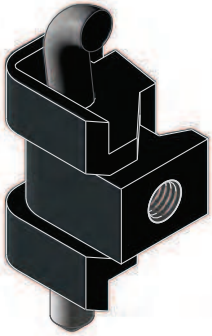
CATALOGUE NUMBER	COMPONENTS	MATERIAL
3.ST22.001	Holder, Base, Pin	Steel zinc plated
3.ST22.001SN	Holder, Base, Pin	Stainless steel

HINGES

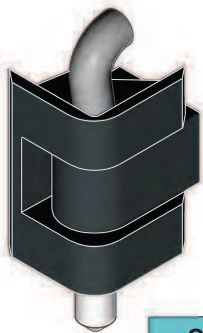
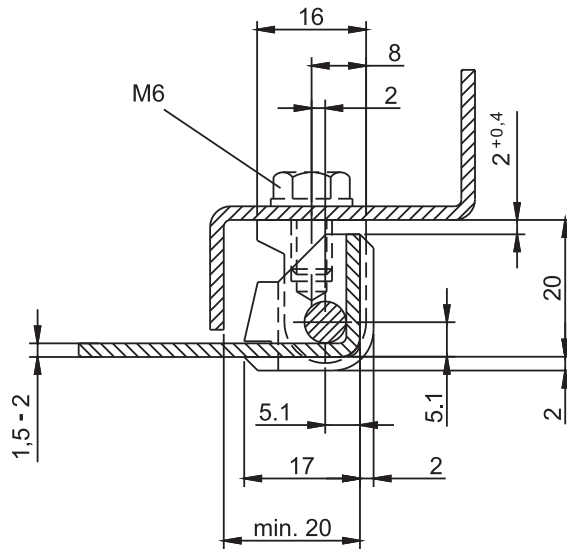
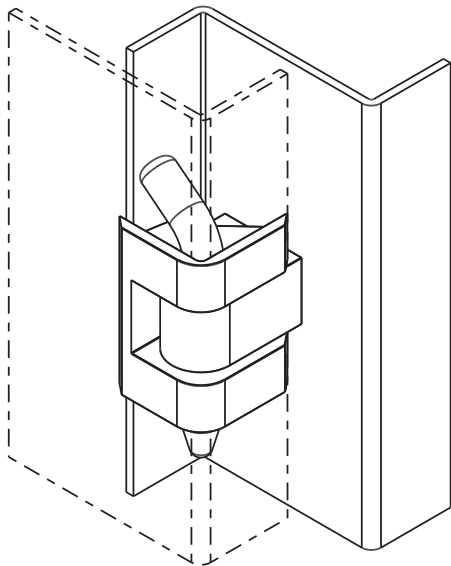
3A



CATALOGUE NUMBER	COMPONENTS	MATERIAL
3.ST21.001	Holder, Base, Pin	Steel zinc plated
3.ST21.001SN	Holder, Base, Pin	Stainless steel



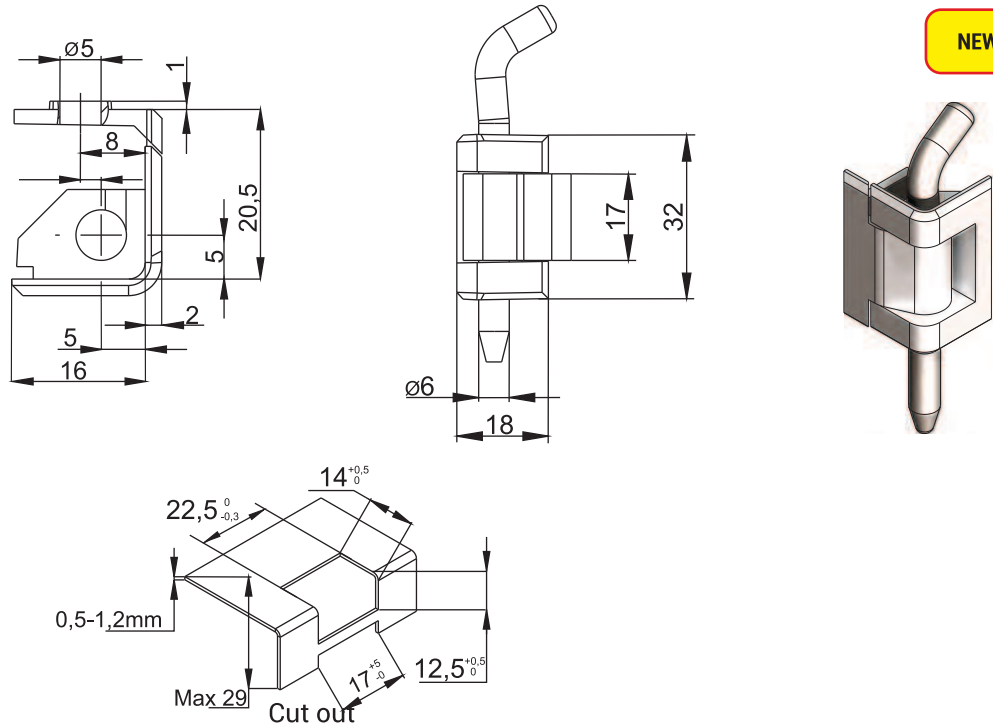
Mounting hole



CATALOGUE NUMBER	FINISH	COMPONENTS	MATERIAL
3.ZN70.001	RAL 9005, 7035, *	Holder, Base	ZAMAK 5
		Pin	Steel zinc plated
3.ZN70.002	-	Holder, Base, Pin	Stainless steel

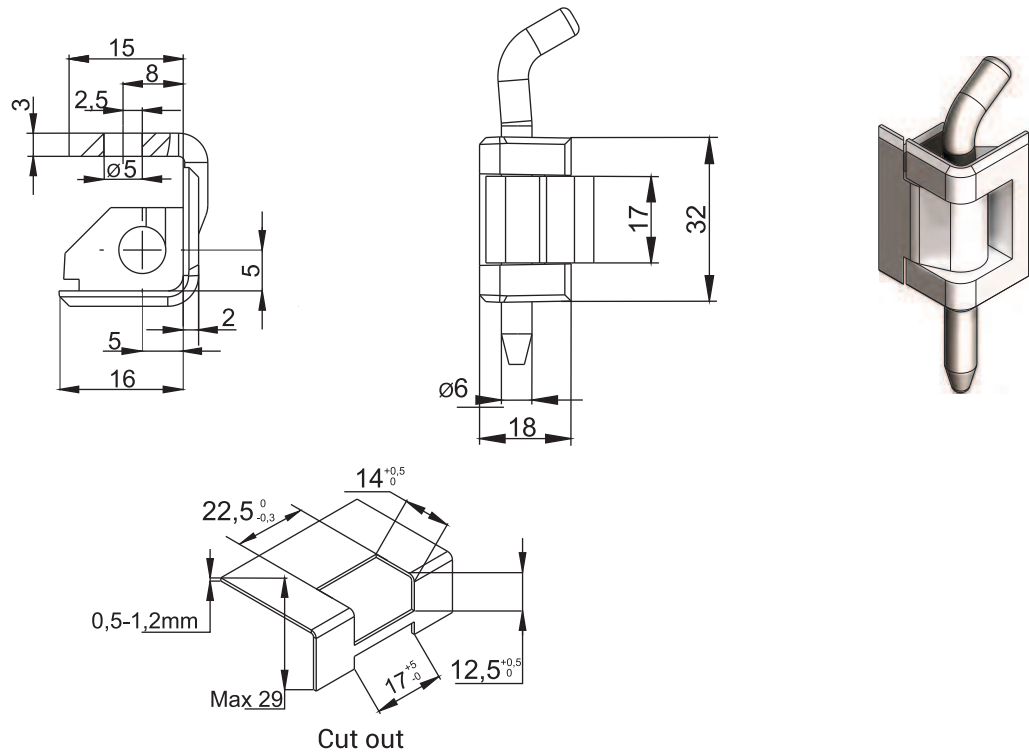
\* possibility to make a different color  
 When ordering, specify the color or finishing type

NEW



CATALOGUE NUMBER	FINISH	COMPONENTS	MATERIAL
3.ZN75.001	RAL 9005, 7035 Chrome	Holder	ZAMAK 5
		Base	ZAMAK 5

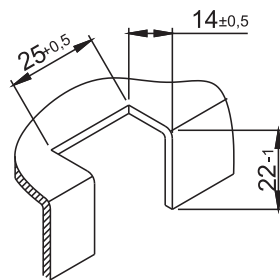
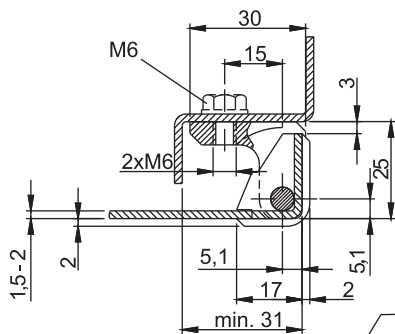
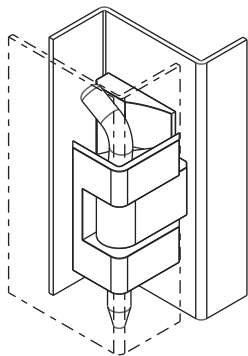
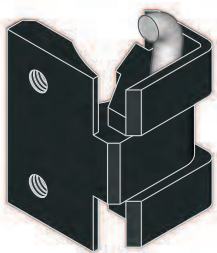
When ordering, specify the color or finishing type



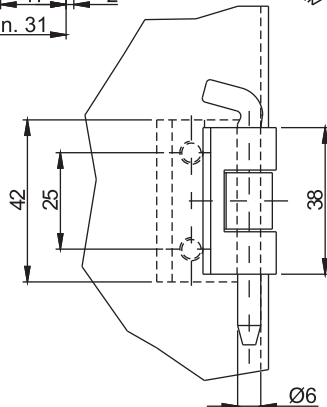
CATALOGUE NUMBER	FINISH	COMPONENTS	MATERIAL
3.ZN75.003	RAL 9005, 7035 Chrome	Holder	Steel zinc plated
		Base	ZAMAK 5

When ordering, specify the color or finishing type

HINGES  
3A

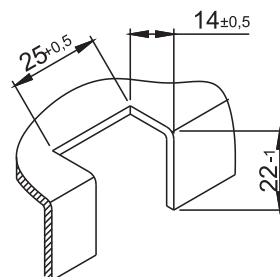
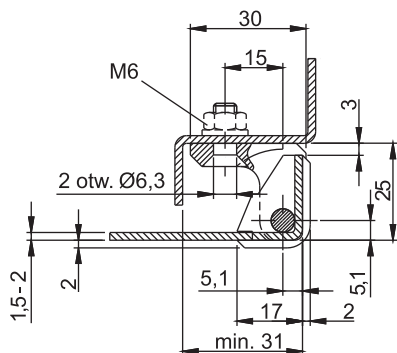
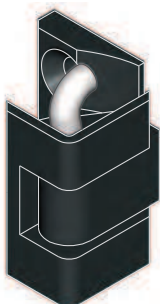


Mounting hole

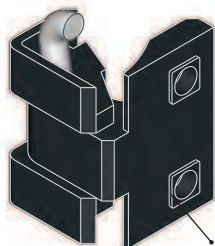
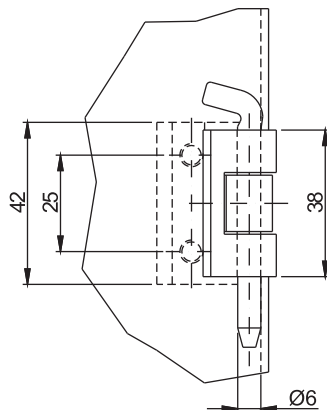


CATALOGUE NUMBER	FINISH	COMPONENTS	MATERIAL
3.ZN80.001	RAL 9005, 7035, *	Holder, Base	ZAMAK 5
		Pin	Steel zinc plated

\* possibility to make a different color  
When ordering, specify the color or finishing type



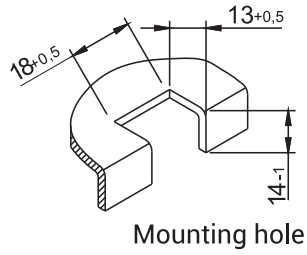
Mounting hole



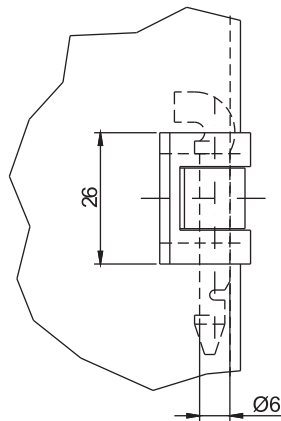
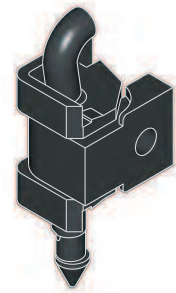
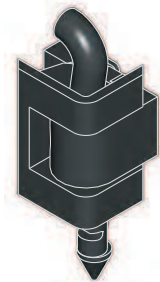
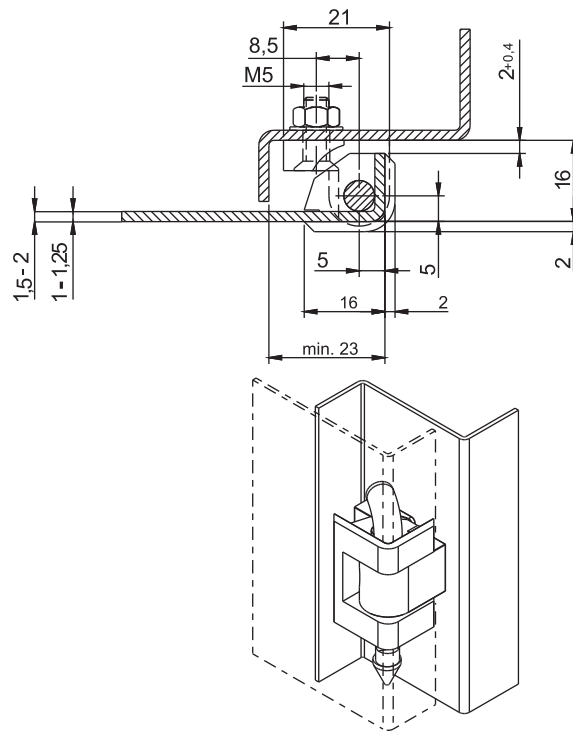
\*\* - with weaning □ 8x1 mm

CATALOGUE NUMBER	FINISH	COMPONENTS	MATERIAL
3.ZN80.002	RAL 9005, 7035, *	Holder, Base	ZAMAK 5
		Pin	Steel zinc plated

\* possibility to make a different color  
\*\* possibility to order the hinge with the basewith weaning  
When ordering, specify the color or finishing type

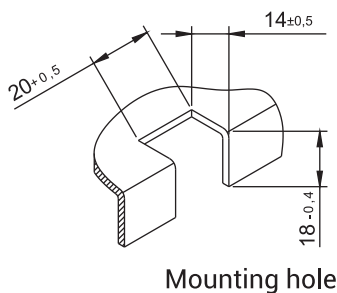
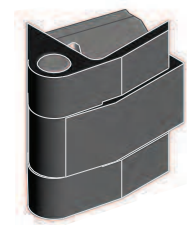
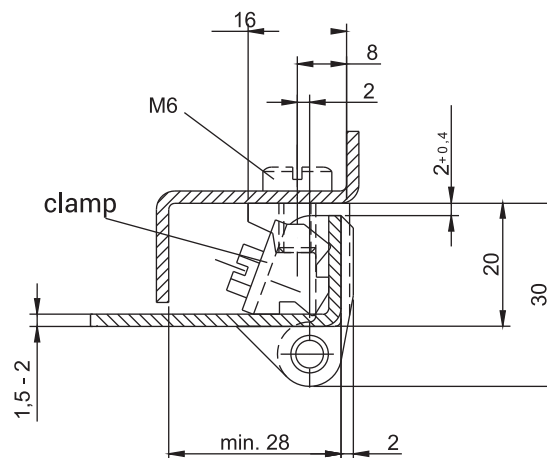
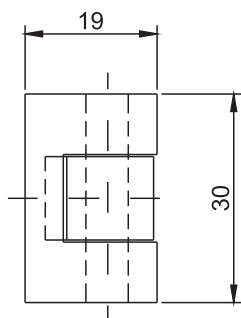


Mounting hole

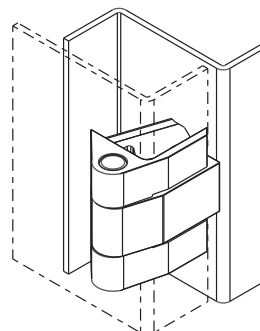


CATALOGUE NUMBER	FINISH	COMPONENTS	MATERIAL
3.ZN90.001	RAL 9005, 7035	Holder, Base, Pin	Polyamide

When ordering, specify the color or finishing type



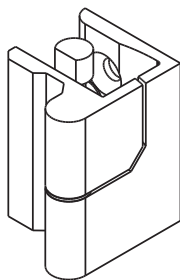
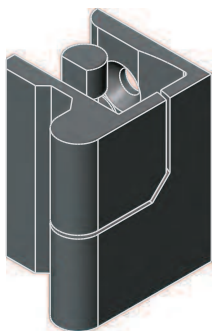
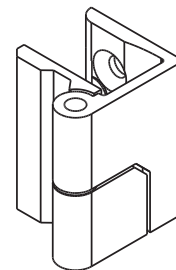
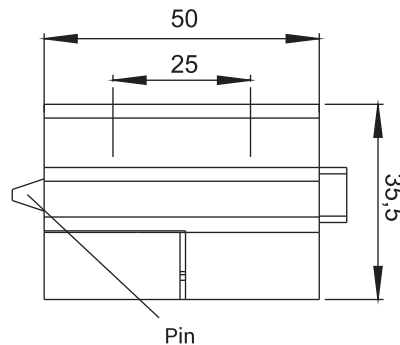
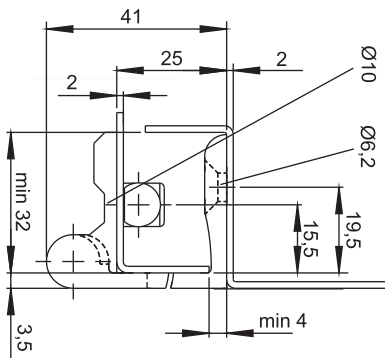
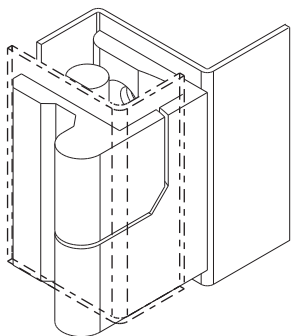
Mounting hole



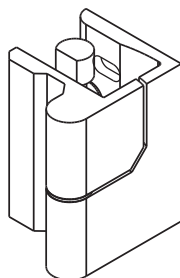
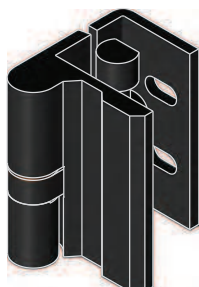
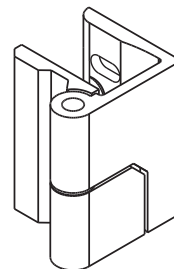
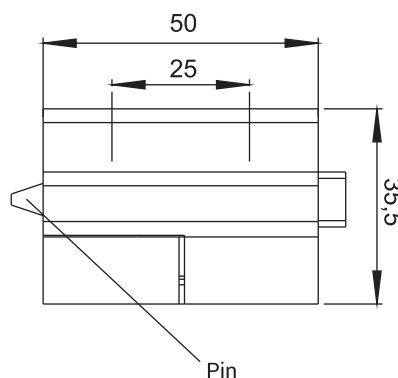
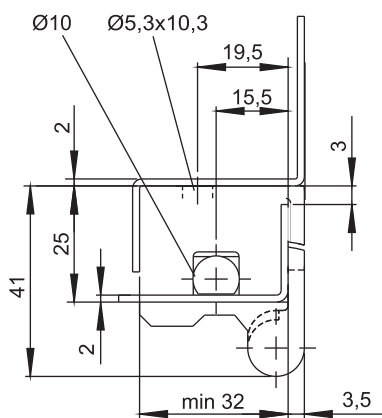
CATALOGUE NUMBER	FINISH	COMPONENTS	MATERIAL
3.ZN100.001	RAL 9005, 7035, *	Holder, Base	ZAMAK 5
		Close tight element, Pin	Steel zinc plated

\* possibility to make a different color  
When ordering, specify the color or finishing type

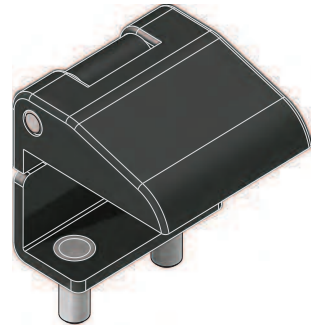
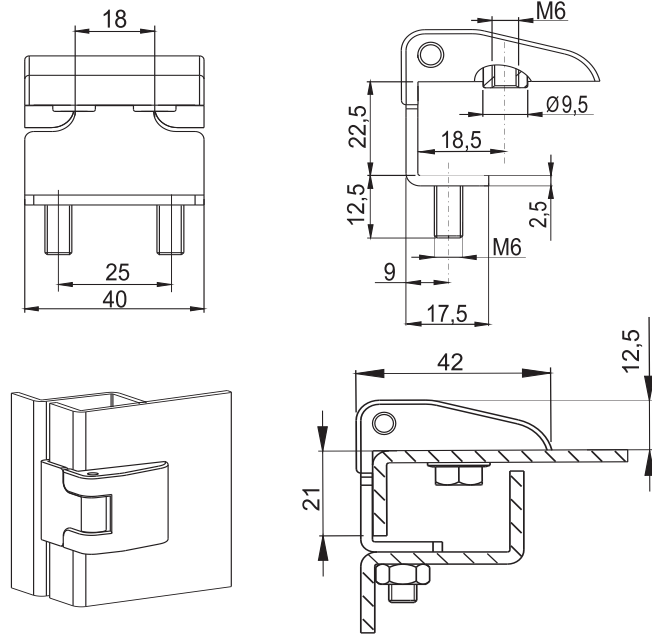



**RIGHT VERSION**

**LEFT VERSION**


CATALOGUE NUMBER	FINISH	COMPONENTS	MATERIAL
3.ZN150.001	RAL 9005	Holder	ZAMAK 5
3.ZN150.002		Base	Aluminum
		Pin, Screw	Steel zinc plated


**RIGHT VERSION**

**LEFT VERSION**


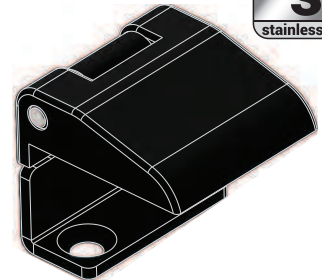
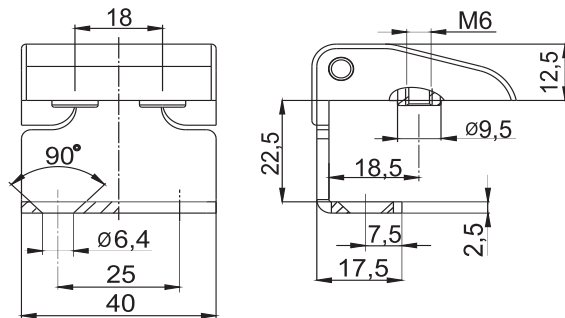
CATALOGUE NUMBER	FINISH	COMPONENTS	MATERIAL
3.ZN150.005	RAL 9005	Holder	ZAMAK 5
3.ZN150.006		Base, Pin	Steel zinc plated, *



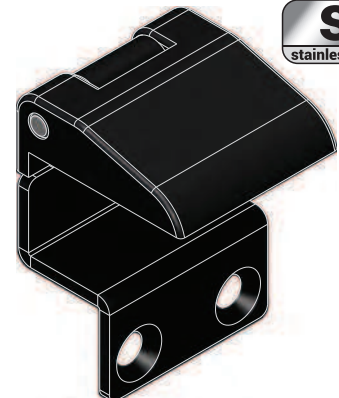
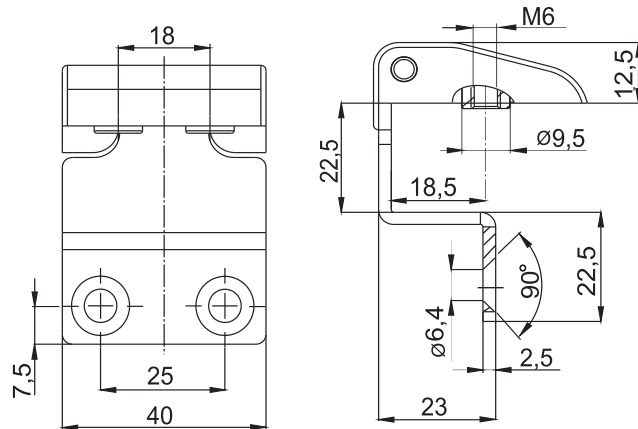
CATALOGUE NUMBER	FINISH	COMPONENTS	MATERIAL
3.ZN154.001	RAL 9005	Holder	ZAMAK 5
		Base	Steel zinc plated
		Pin	Stainless steel

HINGES

3A

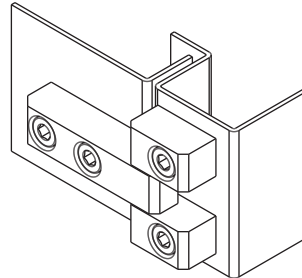
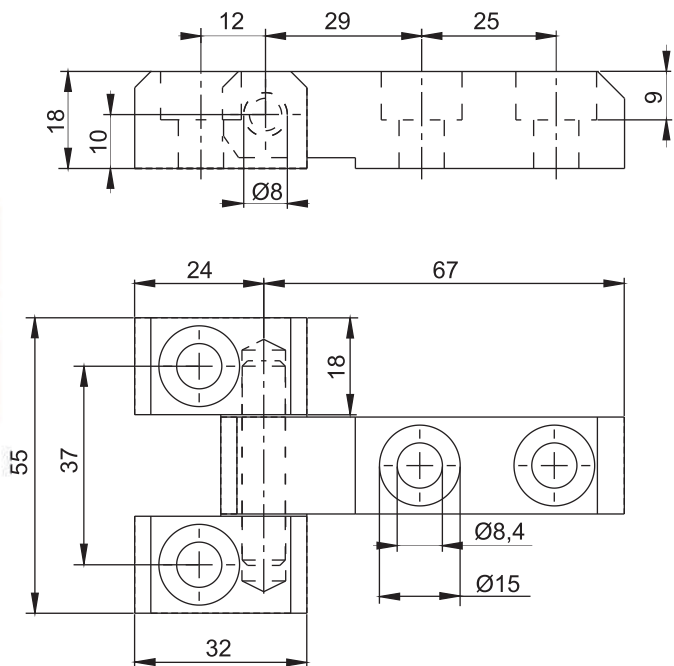
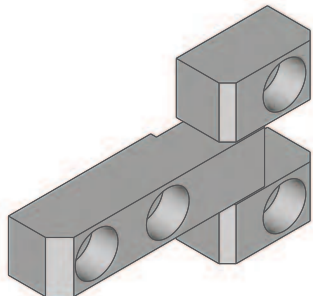


CATALOGUE NUMBER	FINISH	COMPONENTS	MATERIAL
3.ZN154.002	RAL 9005	Holder	ZAMAK 5
		Base	Steel zinc plated
		Pin	Stainless steel

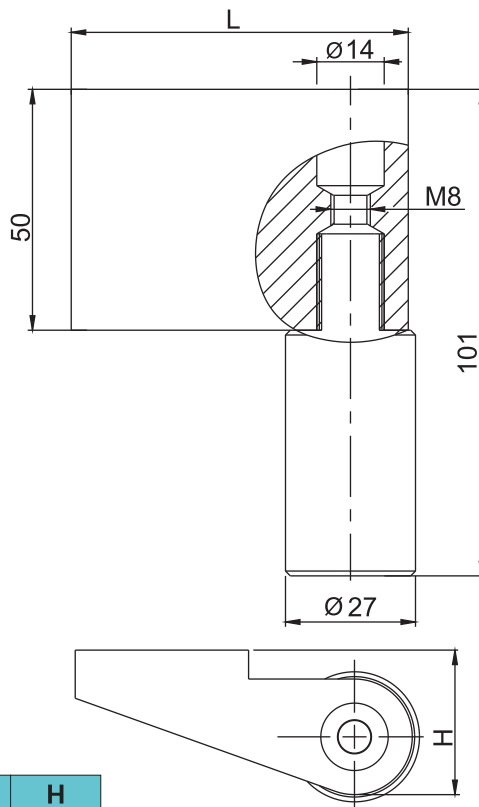
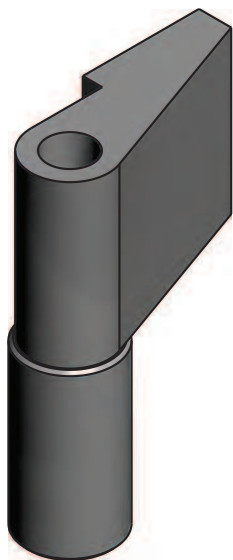


CATALOGUE NUMBER	FINISH	COMPONENTS	MATERIAL
3.ZN154.003	RAL 9005, 7035, *	Holder	ZAMAK 5
		Base	Steel zinc plated
		Pin	Stainless steel

When ordering, specify the color or finishing type

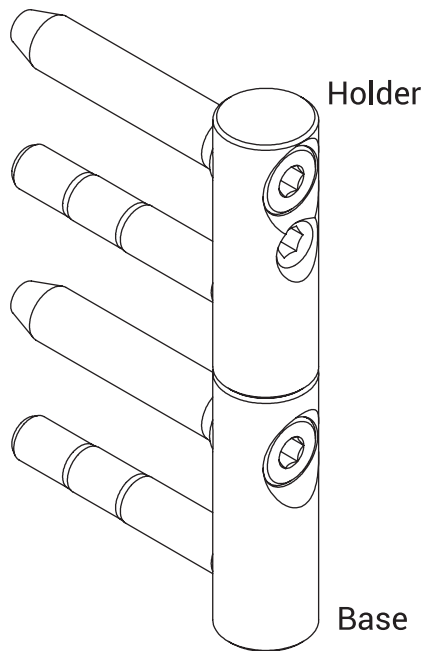

**HINGES**
**3A**

CATALOGUE NUMBER	COMPONENTS	MATERIAL
3.ST29.001	Holder, Base	Steel zinc plated
3.ST29.001SN	Holder, Base	Stainless steel

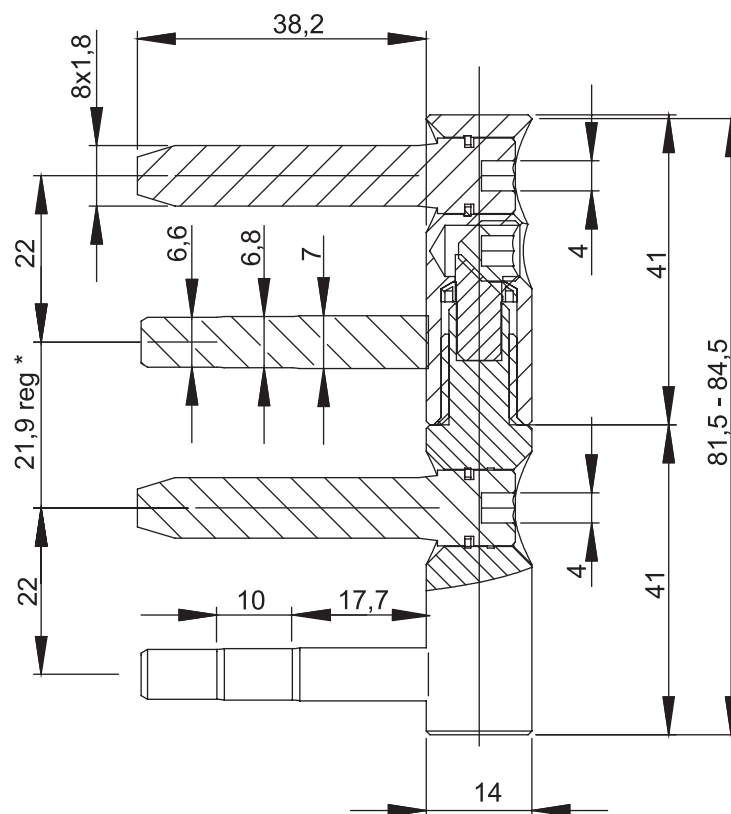


Hinge	X	L	H
3.ST102.00X	1	70	30
	2	90	30

CATALOGUE NUMBER	COMPONENTS	MATERIAL
3.ST102.00X	Fin	Steel
	Pin	Steel



HINGES  
3A



CAT. NUMBER	COMPONENTS	MATERIAL
3.STM1.001	Base	Steel zinc plated
	Holder	Steel zinc plated

\* height adjustment of the hinge holder use to 3 mm



HINGES  
3A