

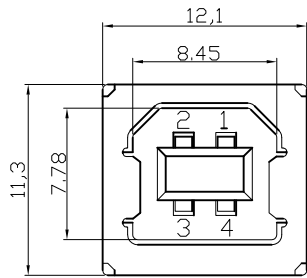


HESTORE.HU

elektronikai alkatrész áruház

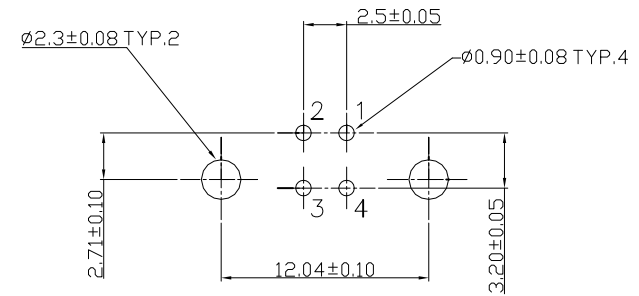
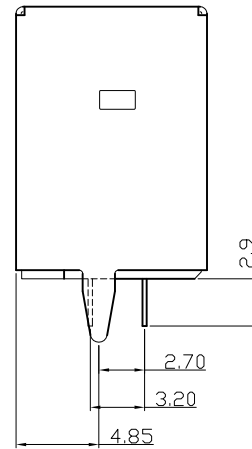
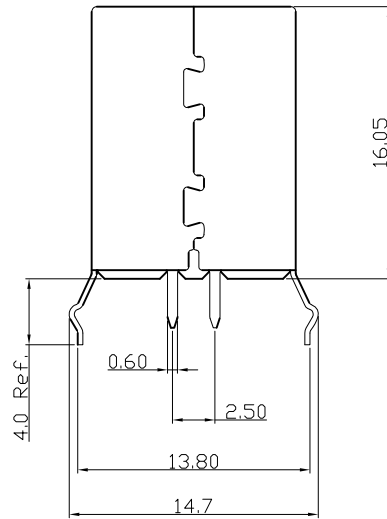
EN: This Datasheet is presented by the manufacturer.

Please visit our website for pricing and availability at www.hestore.hu.



NOTES:

- 1. Insulation: Glass Filled polyester UL94V-0, Color White
- 2. Contact : Phosphor Bronze
- 3. Plating : Selective Gold Flash over 50µ" Nickel
- 4. Shell Plating: Nickel over Cu



Recommended PCB Layout

RoHS compliant

Scale	1:1						Date	Name	Customer-No.
TOLERANCE							Drawn	25.03.2006	Hellwig
.X	±0.30						Approved	07.07.2009	Hellwig
.XX	±0.20								
.XXX	±0.10								
DIM	TOL	②	Update	07.07.2009	Dean		Drawing-No.		ASSMANN WSW-No. A-USB B-TOP-C
X.°	±1°						ASS 1370C CO		
Angle	TOL	①	Drawn	25.03.2006	Hellwig		Replace		SHEET
UNIT	mm	Id.	Modification	Date	Name				



ASS 1370C CO

rev02

Replace SHEET