

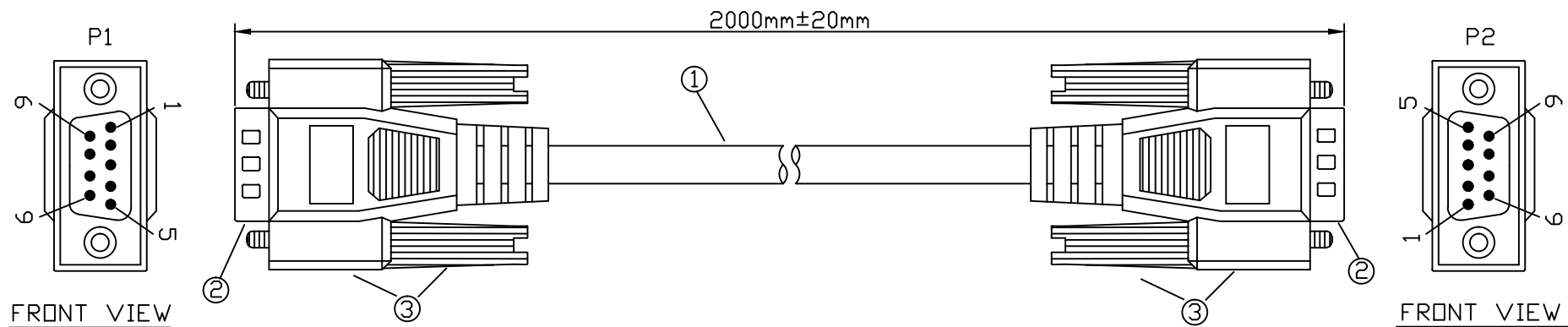


HESTORE.HU

elektronikai alkatrész áruház

EN: This Datasheet is presented by the manufacturer.

Please visit our website for pricing and availability at www.hestore.hu.



- 1.CABLE:NO UL.,28AWG(7/0.127),TINNED AND STRANDED COPPER WIRE
INSULATOR:PVC,ID:0.85mm ,CABLING:9C+DRAIN WIRE
SHIELD:AL/MY COVERAGE
JACKET:PVC,COMPLIANCE ROHS,COLOR:BEIGE,D.D:5mm
- 2.PCS CONNECTOR:D-SUB 9 WAYS MALE SOLDER TYPE CONNECTOR
INSULATOR:P.B.T.+GLASS FIBER,COLOR:BLUE
CONTACT:COPPER ALLOY,GOLD FLASH OVER NICKEL PLATED
SHELL:NICKEL PLATED.
CONNECTOR COMPLIANCE ROHS
- 3.HOOD:PVC MOLDED TYPE WITH FOIL SHIELDED ON INNER
ON INNER MOLD AND INJECTION OUTER MOLD WITH
THUMB SCREW#4-40 UNC
COLOR:BEIGE,COMPLIANCE ROHS
- 4 Fulfill ROHS Guideline
- 5.ELECTRONIC TEST:100% OPEN SHORT+MISS WIRE TEST

PIN OUT

DB9PIN MALE(P1)	WIRE	DB9PIN MALE(P2)
1	—————	1
2	—————	2
3	—————	3
4	—————	4
5	—————	5
6	—————	6
7	—————	7
8	—————	8
9	—————	9
SHELL	DRAIN WIRE	SHELL

PART NO	CAB-09WW/2	SHEET NO	1	THIRD ANGLE PROJECTION SCALE N.T.S DRAWN BY & DATE SIZE A4 CHECKED BY & DATE UNIT APPROVED BY & DATE <input checked="" type="checkbox"/> mm <input type="checkbox"/> INCH	
TITLE: DB9 PIN MALE TO DB9 PIN MALE BEIGE COLOR,L:2M					
DWN NO D-CAB-09WW/2					