



**HESTORE.HU**

elektronikai alkatrész áruház

**EN:** This Datasheet is presented by the manufacturer.

Please visit our website for pricing and availability at [www.hestore.hu](http://www.hestore.hu).



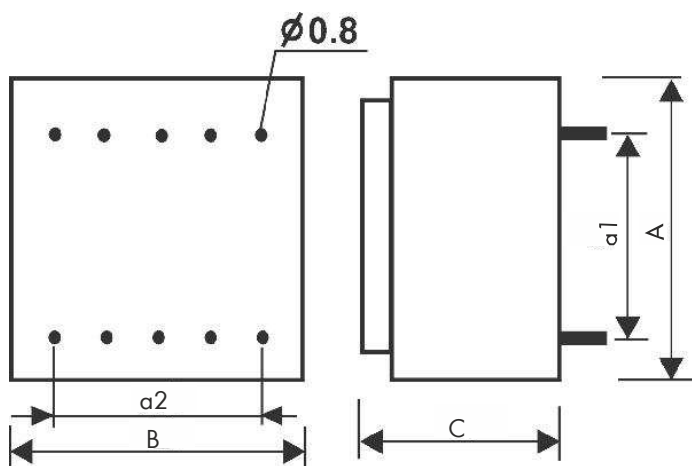
Transformers for printed circuit boards designed chiefly for power supply circuitry assemblies of electronic devices. They feature small dimensions and a compact build as well as having an increased mechanical durability and resilience to climate elements (cast resin). The transformers are made at IP00 protection grade, maximum ambient temperature 60°C, thermal class of insulation B (130°C). Manufactured in compliance with EN 61558-2-1 and EN 61558-2-6.



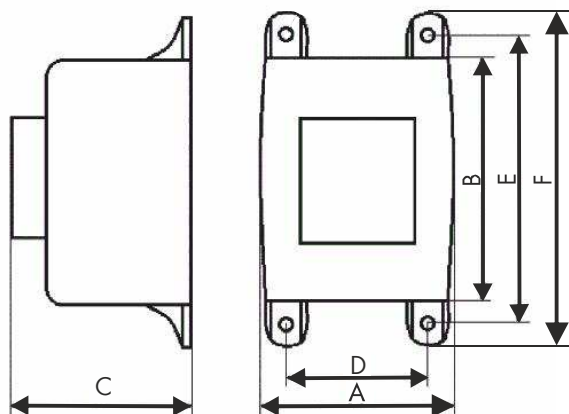
**Rated power:** 0,5 - 30VA

**Rated voltage PRI:** 24 - 500V 50/60Hz

**Rated voltage SEC:** 6 - 500V



TEZ: 0,5 - 16



TEZ: 20; 25; 30

Type	Power [VA]	Dimensions [mm]								Weight [kg]	Typical leads		
		A	B	C	a1	a2	D	E	F		PRI	1xSEC	2xSEC
TEZ 0,5	0,5	22	24	19	15	15	x	x	x	0,05	1-4	6-7	5-6, 7-8
TEZ 1,5	1,5	28	33	22	20	20	x	x	x	0,07	1-5	7-9	6-7, 9-10
TEZ 2,0	2,0	28	33	24	20	20	x	x	x	0,09	1-5	7-9	6-7, 9-10
TEZ 2,5	2,5	28	33	27	20	20	x	x	x	0,10	1-5	7-9	6-7, 9-10
TEZ 2,6	2,5	28	33	30	20	20	x	x	x	0,12	1-5	7-9	6-7, 9-10
TEZ 4,0	4,0	35	42	29	25	20	x	x	x	0,15	1-5	7-9	6-7, 9-10
TEZ 4,5	4,5	35	42	29	25	20	x	x	x	0,15	1-5	7-9	6-7, 9-10
TEZ 6,0	6,0	38	45	32	25	25	x	x	x	0,20	1-5	7-9	6-7, 9-10
TEZ 10,0	10,0	44	52	35	27,5	25	x	x	x	0,28	1-6	8-11	7-8, 11-12
TEZ 16,0	16,0	47	57	39	30	30	x	x	x	0,42	1-7	9-13	8-9, 13-14
TEZ 20,0	20,0	53,8	63,6	47,2	32,5	30	43,5	72,5	81,7	0,6	1-7	9-13	8-9, 13-14
TEZ 25,0	25,0	53,8	63,6	51,5	32,5	30	43,5	72,5	81,7	0,7	1-7	9-13	8-9, 13-14
TEZ 30,0	30,0	53,8	63,6	56,5	32,5	30	43,5	72,5	81,7	0,8	1-7	9-13	8-9, 13-14

Because of the constant development of product construction and changes concerning technical requirements, Breve-Tufvassons Company reserves the right to change the parameters mentioned above.

